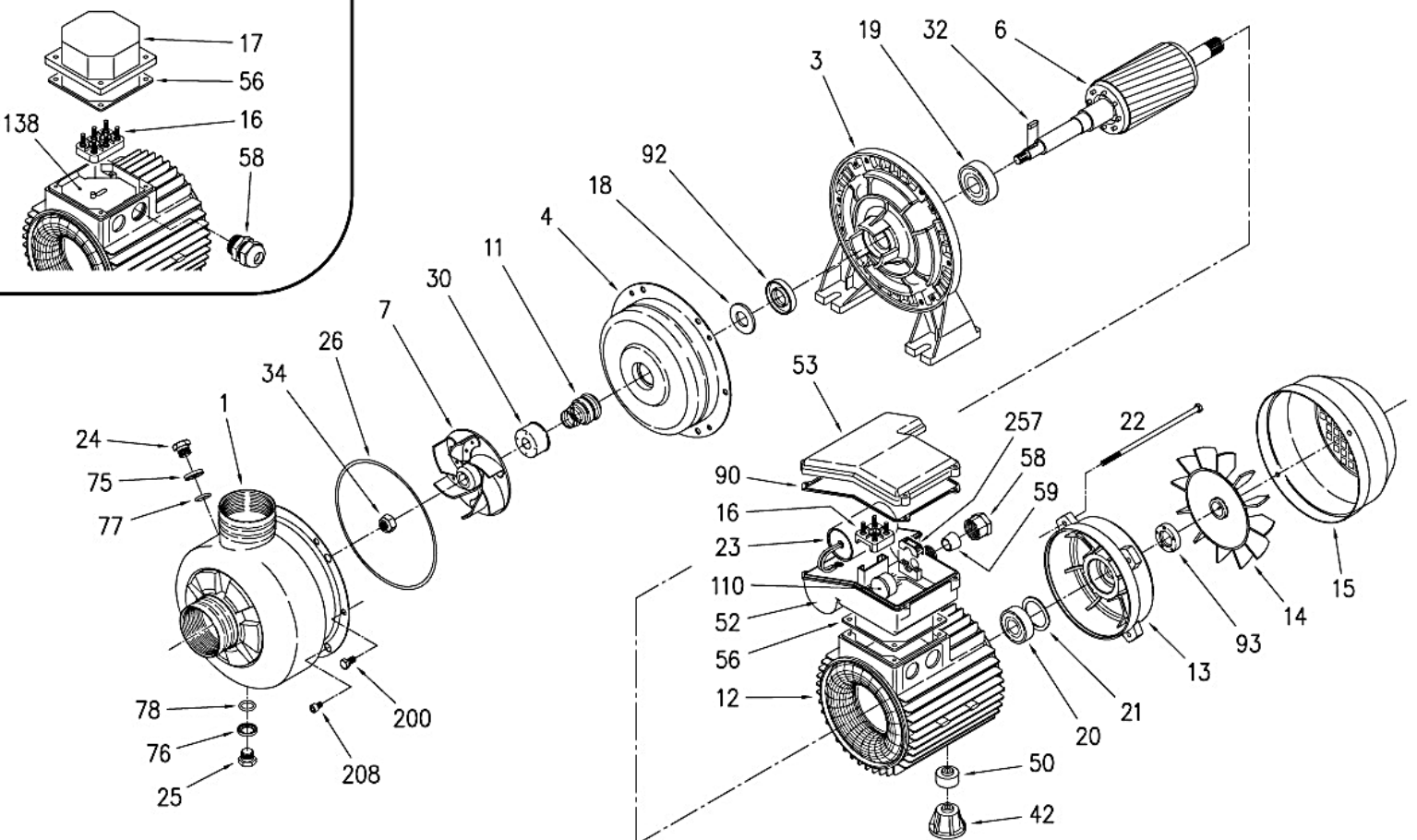


نقشه انفجاری الکتروپمپ استیل پروانه باز DWO

3 PHASE VERSION



DWO 1~ 50Hz

Pos	Part name	150 M		200 M	
		1579070000		1579080000	
001	Casing		251420992		
003	Motor bracket		240280596		
004	Casing cover		251438027		
006	Shaft with rotor	275412605		275412238	
007	Impeller	251450978		251450977	
011-K	Mechanical seal		364500018		
012	Motor frame	277930800		277930234	
013	Motor cover	230225072		230225089	
014	Fan		369950008		
015	Fan cover		362250080		
016	Terminal board		365940254		
018-K	Casing ring		364500018		
019	Bearing		360306204		
020	Bearing		360306203		
021	Adjusting ring		360600040		
022	Tie rod	369305148		369305161	
023	Capacitor	361402315		361401400	
024	Priming plug		375192105		
025	Drain plug		375192105		
026-K	O – ring		364500018		
030-K	Splash ring		364500018		
032-K	Key		364500018		
034-K	Impeller nut		364500018		
042	Foot		371415015		
050	Spacer		371472028		
052	Terminal body		363200201		
053	Terminal cover		363201101		
056	Box gasket		364700811		
058	Cable entry		363201201		
059	Conic gasket		363201301		
075	Washer		360676006		
076	Washer		360676006		
077-k	O – ring		364500018		
078-k	O – ring		364500018		
090	Box gasket		364701520		
092	Pump side lip seal		360991540		
093	Fan side lip seal		360991529		
110	Protector	369450503		369450504	
138	Terminal insulating		361939002		
200	Screw		369600056		
208	Screw		36964401		
257	Cable clamp		366550012		



DWO 3~ 50 Hz

Pos	Part name	150	200	300	400
		1579070004	1579080004	1579100004	1579110004
001	Casing	251420992		251420993	
003	Motor bracket	240280596		240080598	
004	Casing cover	251438027			
006	Shaft with rotor	275412650	275412651	275412607	275412608
007	Impeller	251450978	251450977	251450976	251450975
011-K	Mechanical seal	364500018			
012	Motor frame	277930801	277930220	277930430	277930425
013	Motor cover	230225072		230225504	
014	Fan	369950008		369950009	
015	Fan cover	362250080		362250009	
016	Terminal board	365950326			
017	Terminal box cover	363232008			
018-K	Casing ring	364500018			
019	Bearing	360306204		360306305	
020	Bearing	360306203		360306205	
021	Adjusting ring	360600040		360600052	
022	Tie rod	369305148		369305165	369305190
024	Priming plug	375192105			
025	Drain plug	375192105			
026-K	O – ring	364500018			
030-K	Splash ring	364500018			
032-K	Key	364500018			
034-K	Impeller nut	364500018			
042	Foot	371415015		371415013	
050	Spacer	371472028		360610016	
056	Box gasket	364700811			
058	Cable entry	366550010		366550013	
075	Washer	360676006			
076	Washer	360676006			
077-k	O – ring	364500018			
078-k	O – ring	364500018			
092	Pump side lip seal	360991540			
093	Fan side lip seal	360991529		360991531	
138	Terminal insulating	361939002			
200	Screw	369600056			
208	Screw	369644001			

