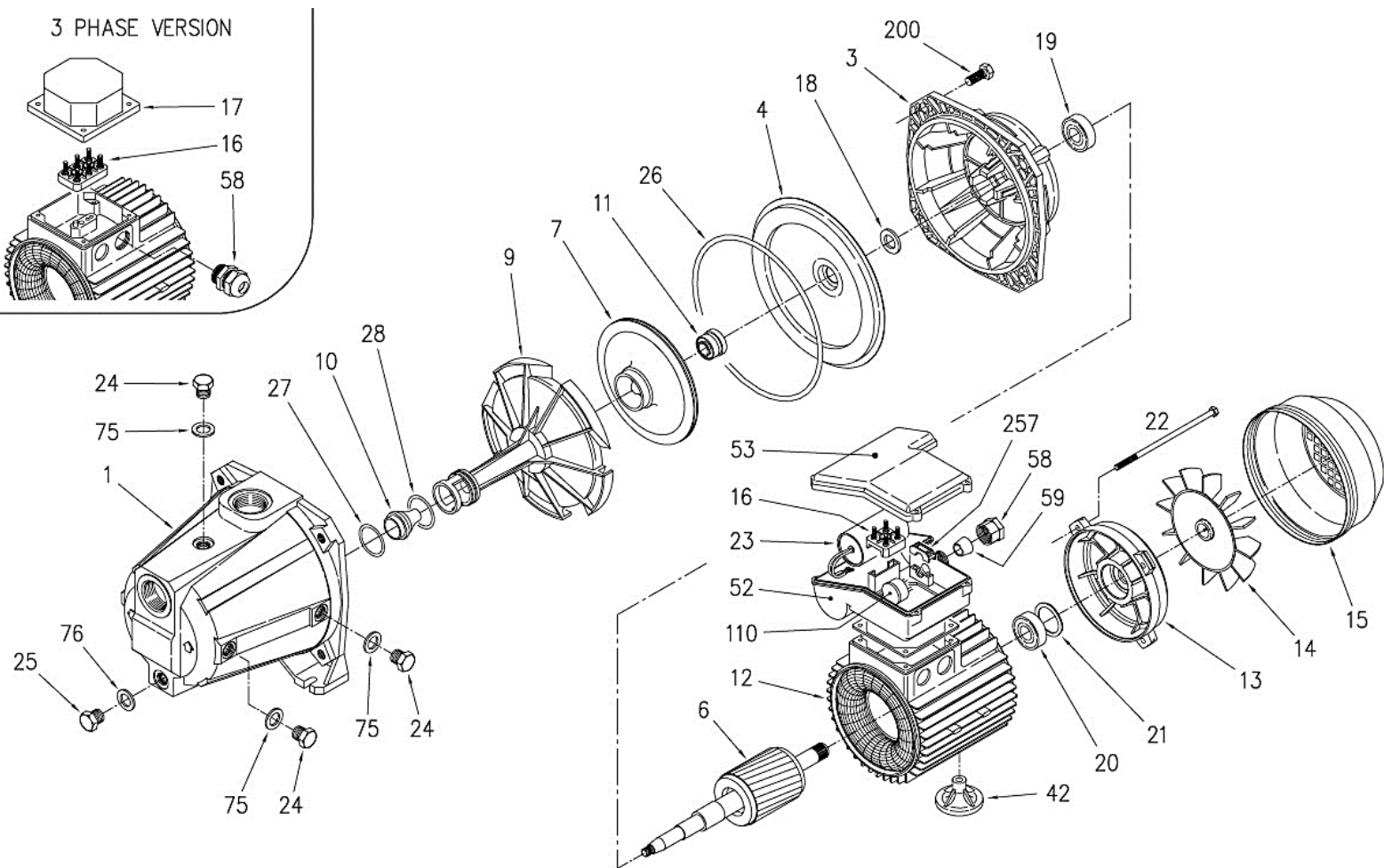


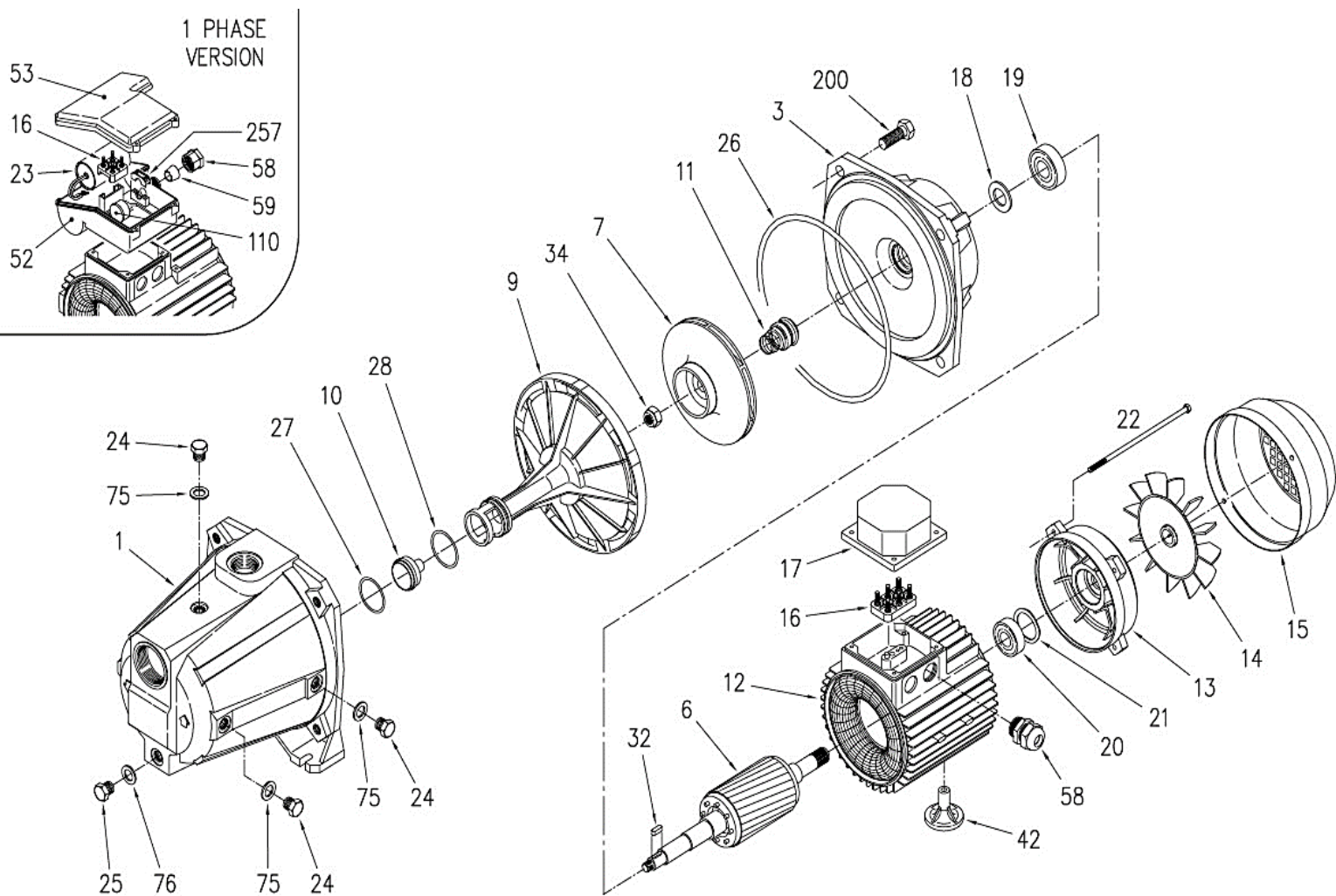
### نقشه انفجاری سه فاز



Pos	Part name	0.60 T			0.75 T			1.00 T		
		1100060004			1100090004			1100100004		
001	Casing				240020000					
003	Motor bracket				240280001					
004	Casing cover				241438000					
006	Shaft with rotor	275412701			275412703			275412707		
007	Impeller	342550501						342550002		
009	Diffuser+Venturi tube	342535000						342535001		
010	Venturi nozzle	342535000						342595003		
011	Mechanical seal roll				360405113					
011	Mechanical seal fix				360408213					
012	Motor frame	277930405			277930161			277930411		
013	Motor Cover				230225501					
014	Fan				369950002					
015	Fan cover				362250002					
016	Terminal box				365940256					
017	Terminal box cover				363232030					
018	Splash ring				367650150					
019	Bearing				360306202					
020	Bearing				360306202					
021	Adjusting ring				360600035					
022	Tie rod				369305135					
024	Priming plug				375192001					
025	Drain plug				375192001					
026	O – ring				360931647					
027	O – ring				360922669					
028	O – ring				360922825					
042	Foot				342572001					
058	Cable entry				366550010					
075	Washer				360620011					
076	Washer				360620011					
200	Screw				369600006					
257	Wire clamp				366550011					



نقشه انفجاری تک فاز



Pos	Part name	0.60	0.75	1.00
		1100060000	1100090000	1100100000
001	Casing		240020000	
003	Motor bracket		240280001	
004	Casing cover		241438000	
006	Shaft with rotor	275412701	275412703	275412707
007	Impeller	342550501	342550001	342550002
009	Diffuser+Venturi tube		342535000	342535001
010	Venturi nozzle		342535000	342595003
011	Mechanical seal roll		360405113	
011	Mechanical seal fix		360408213	
012	Motor frame	27793005	27793008	277930011
013	Motor Cover		230225501	
014	Fan		369950002	
015	Fan cover		362250002	
016	Terminal box		365940253	
018	Splash ring		367650150	
019	Bearing		360306202	
020	Bearing		360306202	
021	Adjusting ring		360600035	
022	Tie rod		369305135	
023	Capacitor	361402125	361400140	361402200
024	Priming plug		375192001	
025	Drain plug		375192001	
026	O – ring		360931647	
027	O – ring		360922669	
028	O – ring		360922825	
042	Foot		342572001	
052	Capacitor box		363200500	
053	Terminal cover		363201100	
058	Cable entry		363201200	
059	Conic gasket		363201300	
075	Washer		360620011	
076	Washer		360620011	
200	Screw		369600006	
257	Wire clamp		366550011	

