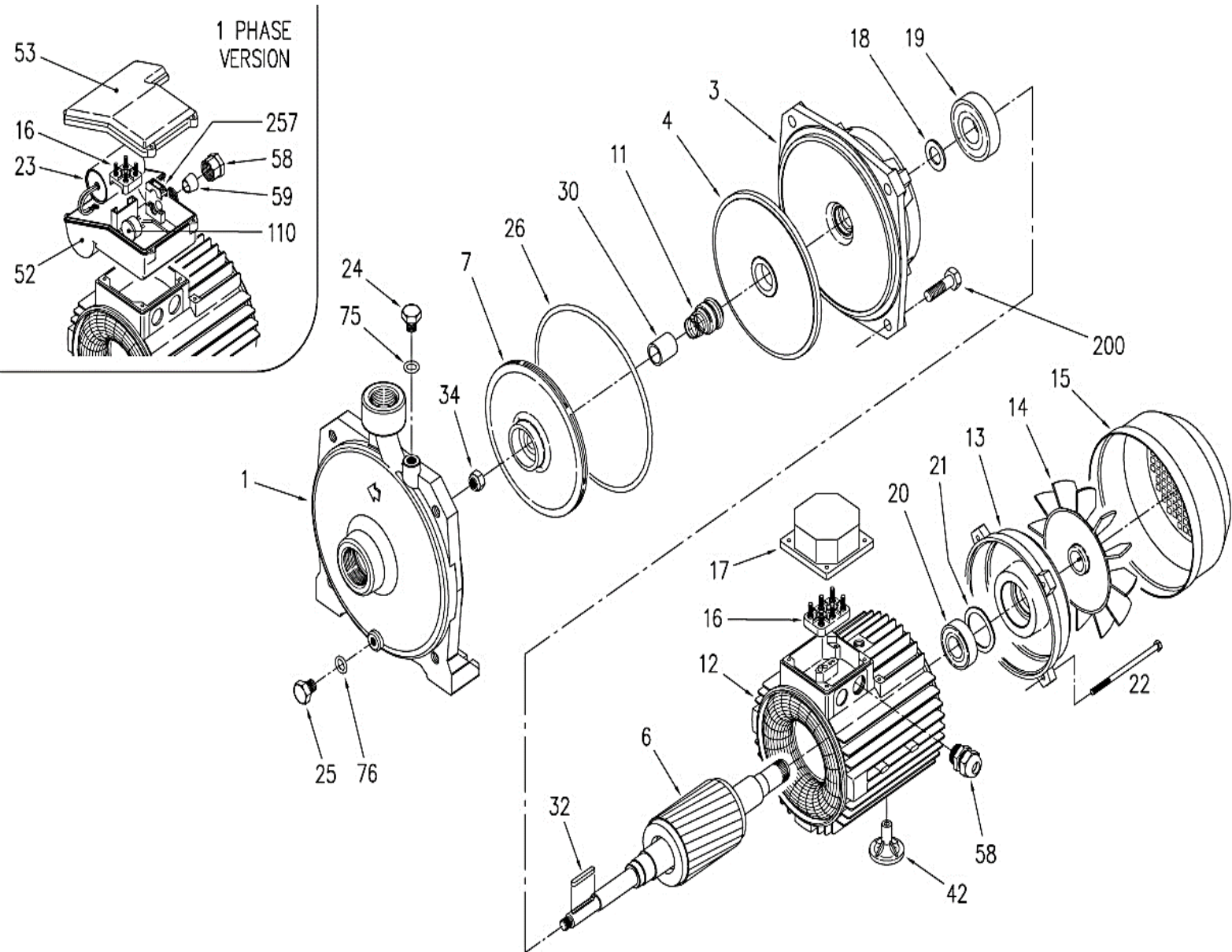


نقشه انفجاری الکتروپمپ تک پروانه CMD



CMD 1~ 50HZ

Pos	Part name	0.75 M	1.00 M	1.50 M	2.00 M
		1170090000	117010000	117015000A	117020000A
001	Casing	240020015		240020014	
003	Motor bracket	240280001		240080004	
004	Casing cover	241438000		---	---
006	Shaft with rotor	275412713	275412719	275412752	275412753
007	Impeller	240050617	240050517	240050017	240150806
011-K	Mechanical seal fix	364500013		364500024	
011-K	Mechanical seal roll	364500013		364500024	
012	Motor frame	277930008	277930174	277930015	277930234
013	Motor cover	230225501		230225015	230225091
014	Fan	369950002		369950008	
015	Fan cover	362250002		362250004	
016	Terminal board	365940253		365940254	
018-K	Splash ring	364500013		364500024	
019	Bearing	360306202		360306204	
020	Bearing	360306202		360306203	
021	Adjusting ring	360600035		360600040	
022	Tie rod	369305135		369305148	369305161
023	Capacitor	361400140	361402200	361401350	361401400
024	Priming plug	375192000			
025	Drain plug	375192000			
026-K	O – ring	364500013		364500024	
030-K	Mechanical seal spacer	364500013		364500024	
032-K	Key	364500013		364500024	
034-K	Impeller nut	364500013		364500024	
042	Key	342572001			342572002
052	Capacitor box	363200500		363200201	
053	Capacitor box cover	363201100		363201101	
058	Cable entry	363201200		363201101	
059	Conic gasket	363201300		363201201	
075-K	Washer	364500013		364500024	
076-K	Washer	364500013		364500024	
110	Protector	--	--	369450504	369450505
200	Screw	369600006			
257	Wire clamp	366550011		366550012	



CMD 3~ 50HZ

Pos	Part name	0.75 T		1.00 T		4.00 T		5.50 T	
		1170090004		117010004		117040004		1170550004	
001	Casing	240020015		240020022					
003	Motor bracket	240280001		240080006					
004	Casing cover	241438000		--		--			
006	Shaft with rotor	275412713	275412719	275412300	275412902				
007	Impeller	240050617	240050517	240150523	240150023				
011-K	Mechanical seal fix	364500013		360408220					
011-K	Mechanical seal roll	364500013		360405120					
012	Motor frame	277930161	277930180	277931419	277930421				
013	Motor cover	230225501		230225507					
014	Fan	369950002		369950004					
015	Fan cover	362250002		362250100					
016	Terminal board	365940256		365956366					
017	Terminal box cover	363232030		363232031					
018-K	Splash ring	364500013		367650190					
019	Bearing	360306202		360306306					
020	Bearing	360306202		360306205					
021	Adjusting ring	360600035		360600052					
022	Tie rod	369305135		369306200					
024	Priming plug			375192000					
025	Drain plug			375192000					
026-K	O – ring	364500013		360932100					
030-K	Mechanical seal spacer	364500013		--		--			
032-K	Key	364500013		361305520					
034-K	Impeller nut	364500013		363300014					
042	Key	342572001		342572003					
058	Cable entry	366550010		366550014					
075-K	Washer	364500013		360620002					
076-K	Washer	364500013		360620002					
200	Screw	369600006		369600049					
257	Wire clamp	366550011		366550012					



CMD 3~ 50HZ

Pos	Part name	1.50 T	2.00 T	3.00 T
		1170150004A	1170200004A	1170300004A
001	Casing	240020015	240020014	
003	Motor bracket	240080004		
004	Casing cover	--	--	--
006	Shaft with rotor			
007	Impeller	275412751	275412752	275412754
011-K	Mechanical seal fix	240050017	240150806	240150706
011-K	Mechanical seal roll	364500024		
012	Motor frame	364500024		
013	Motor cover	277930801	277930220	277930236
014	Fan	230225015		230225091
015	Fan cover	369950008		
016	Terminal board	362250004		
017	Terminal box cover	365950326		
018-K	Splash ring	363232031		
019	Bearing	364500024		
020	Bearing	360306204		
021	Adjusting ring	360306203		
022	Tie rod	360600040		
024	Priming plug	369305148		369305161
025	Drain plug	375192000		
026-K	O – ring	375192000		
030-K	Mechanical seal spacer	364500024		
032-K	Key	364500024		
034-K	Impeller nut	364500024		
042	Key	364500024		
058	Cable entry	342572001	342572002	
075-K	Washer	366550010		
076-K	Washer	364500024		
200	Screw	364500024		
257	Wire clamp	369600006		

