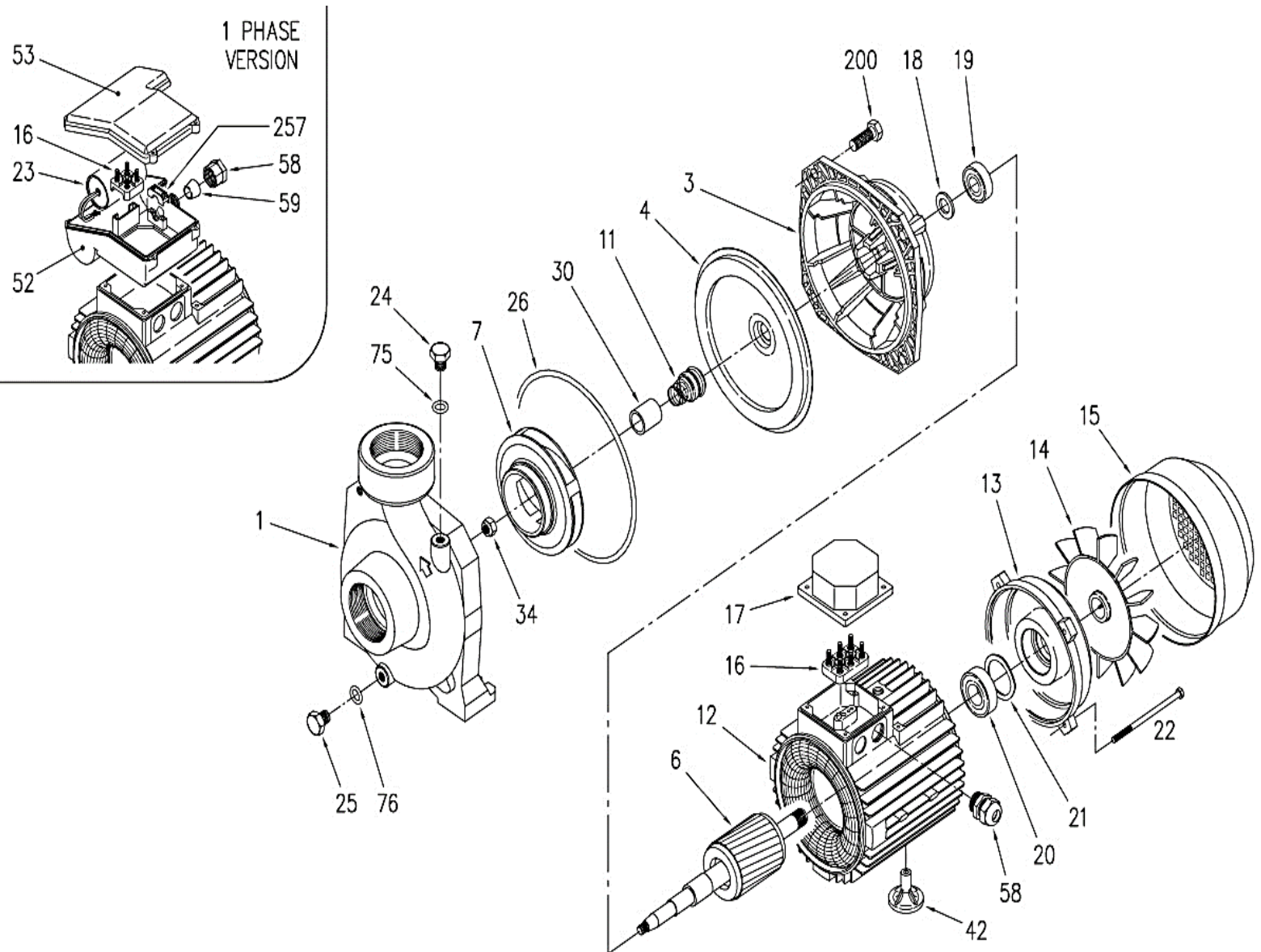


نقشه انفجاری الکتروپمپ تک پروانه CMC



CMC 1~ 50HZ

Pos	Part name	0.75 M	1.00 M
		1180090000	1180100000
001	Casing		240020006
003	Motor bracket		240280001
004	Casing cover		241438000
006	Shaft with rotor	275412713	275412717
007	Impeller	240050704	240050004
011-K	Mechanical seal fix		364500013
011-K	Mechanical seal roll		364500013
012	Motor frame	2779300008	277930011
013	Motor cover		230225501
014	Fan		369950002
015	Fan cover		362250002
016	Terminal board		365940253
018-K	Splash ring		364500013
019	Bearing		360306202
020	Bearing		360306202
021	Adjusting ring		360600035
022	Tie rod		369305135
023	Capacitor	361400140	361402200
024	Priming plug		375192000
025	Drain plug		375192000
026-K	O – ring		364500013
030-K	Mechanical seal spacer		364500013
032-K	Key		364500013
034-K	Impeller nut		342572001
042	Key		363200500
053	Capacitor box cover		363201100
058	Cable entry		363201200
059	Conic gasket		363201300
075-K	Washer		364500013
076-K	Washer		364500013
200	Screw		369600005
257	Wire clamp		366550011



CMC 3~ 50HZ

Pos	Part name	075 T		1.00 T	
		1180090004		1180100004	
001	Casing			240020006	
003	Motor bracket			240280001	
004	Casing cover			241438000	
006	Shaft with rotor	275412713			275412717
007	Impeller	240050704			240050004
011-K	Mechanical seal fix			364500013	
011-K	Mechanical seal roll			364500013	
012	Motor frame	277930161			277930411
013	Motor cover			230225501	
014	Fan			366950002	
015	Fan cover			362250002	
016	Terminal board			365940256	
017	Terminal box cover			363232030	
018-K	Splash ring			364500013	
019	Bearing			360306202	
020	Bearing			360306202	
021	Adjusting ring			360600035	
022	Tie rod			369305135	
024	Priming plug			375192000	
025	Drain plug			375192000	
026-K	O – ring			364500013	
030-K	Mechanical seal spacer			364500013	
034-K	Impeller nut			364500013	
042	Foot			342572001	
058	Cable entry			366550010	
075-K	Washer			364500013	
076-K	Washer			364500013	
200	Screw			369600005	
257	Wire clamp			366550011	

