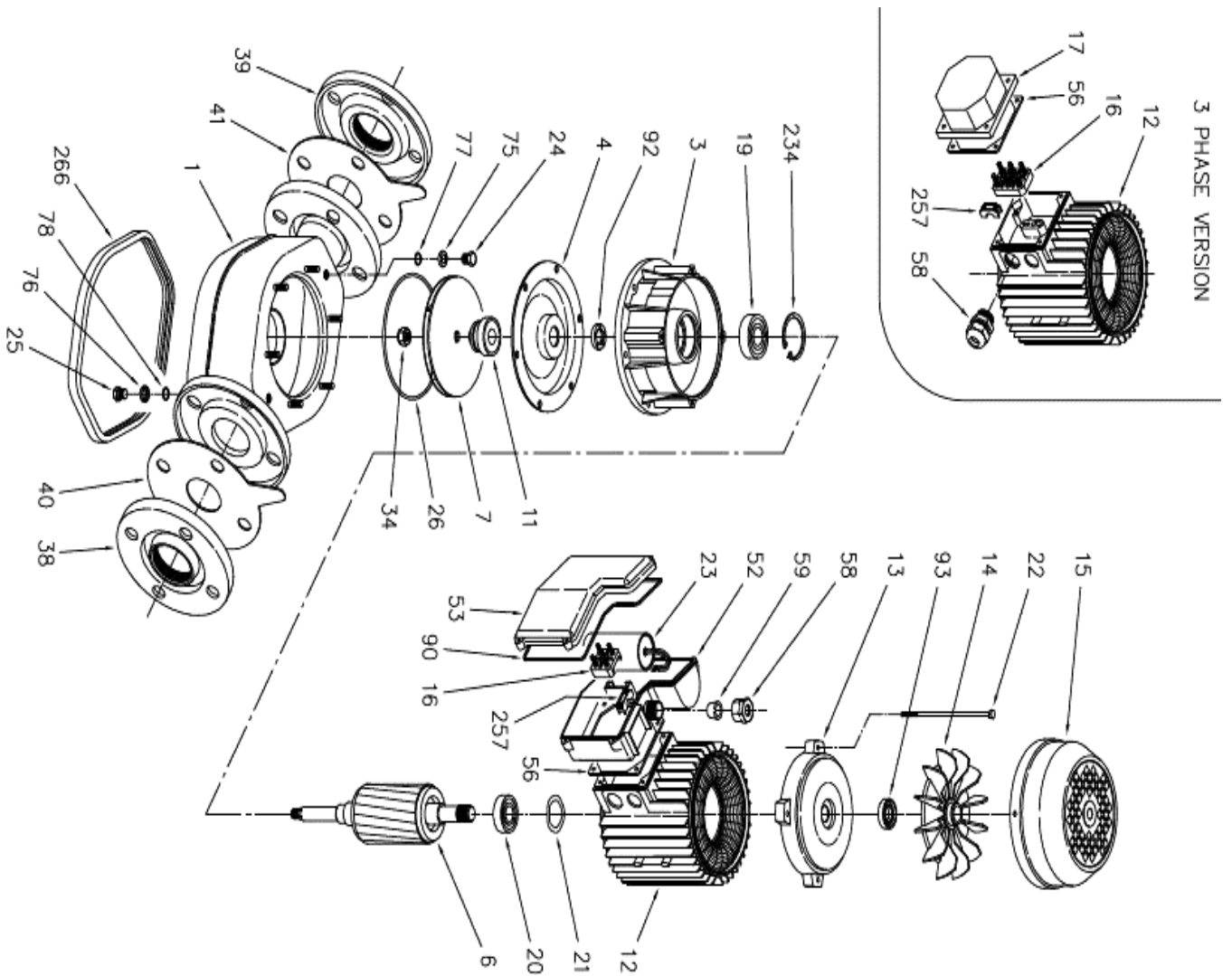


نقشه انفجاری LPS



LPS 1~ 50Hz

| pos | PART NAME | 25/08M | 25/15M | 25/25M | 32/25M | 32/40M |
|-----|--------------------|------------|------------|------------|------------|------------|
| | | 1962010000 | 1962020000 | 1962030000 | 1963030000 | 1963040000 |
| 001 | CASEING | | | 251420100 | | |
| 003 | MOTOR BRACKET | | | 240280630 | | |
| 004 | CASING COVER | | | 251497020 | | |
| 006 | SHAFT WITH ROTOR | | | 275412582 | | |
| 007 | IMPELLER | 251497274 | 251497266 | 251497255 | 251497278 | 251497271 |
| 011 | MECHANICAL SEAL | | | 360408003 | | |
| 012 | MOTOR FRAME | | | 277930757 | | |
| 013 | MOTOR COVER | | | 230225071 | | |
| 014 | FAN | | | 369950002 | | |
| 015 | FAN COVER | | | 362250071 | | |
| 016 | TERMINAL BOX | | | 365940253 | | |
| 019 | BEARING | | | 360306203 | | |
| 020 | BEARING | | | 360306202 | | |
| 021 | ADIISTING RING | | | 360600035 | | |
| 022 | Tie rod | | | 369305135 | | |
| 023 | CAPACITOR | | | 361402125 | | |
| 024 | PRIMING PLUG | | | 375192107 | | |
| 025 | Drain plug | | | 375192107 | | |
| 026 | O RING | | | 360931266 | | |
| 034 | IMPELLER NUT | | | 363300013 | | |
| 038 | CIUNTER FLANGE | | 364401000 | | 364401002 | |
| 039 | COUNTER FLANGE | | 364401002 | | 364401002 | |
| 040 | SUCTION GASKET | | 364701025 | | 364701132 | |
| 041 | DRAIN GASKET | | 364701025 | | 364701132 | |
| 052 | TERMINAL BODY | | | 363200500 | | |
| 053 | TERMINAL COVER | | | 363201104 | | |
| 056 | BOX GASKET | | | 364700810 | | |
| 058 | CABLE ENTRY | | | 363201200 | | |
| 059 | Conic gasket | | | 363201300 | | |
| 075 | WASHER | | | 367667000 | | |
| 076 | WASHER | | | 367667000 | | |
| 077 | O RING | | | 360920919 | | |
| 078 | O RING | | | 360920919 | | |
| 090 | BOX GASKET | | | 364701515 | | |
| 092 | LIP SEAL PUMP SIDE | | | 360991521 | | |
| 093 | LIP SEAL FAN SIDE | | | 360991528 | | |
| 234 | SEEGER RING | | | 360600142 | | |
| 257 | WIRE CLAMP | | | 366550011 | | |
| 266 | GASKET FOR WELDING | | | 364747033 | | |



LPS 1~50 Hz

| pos | PART NAME | 40/25 M | 40/40 M | 40/75 M | 50/40 M | 50/75 M | 50/150 M |
|-----|--------------------|------------|------------|------------|------------|------------|------------|
| | | 1964030000 | 1964050000 | 1964070000 | 1965050000 | 1965070000 | 1965150000 |
| 001 | CASEING | | 251420102 | | 251420103 | | |
| 003 | MOTOR BRACKET | | 240280630 | | 240280630 | | 240280631 |
| 004 | CASING COVER | | 251497020 | | | 251497020 | |
| 006 | SHAFT WITH ROTOR | | 275412582 | | 275412582 | | 275412733 |
| 007 | IMPELLER | 251497282 | 251497283 | 251497270 | 251497256 | 251497258 | 251497261 |
| 011 | MECHANICAL SEAL | | 360408003 | | | 360408003 | |
| 012 | MOTOR FRAME | | 277930757 | | 277930757 | | 277930015 |
| 013 | MOTOR COVER | | 230225071 | | 230225071 | | 230225072 |
| 014 | FAN | | 369950002 | | 369950002 | | 369950003 |
| 015 | FAN COVER | | 362250071 | | 362250071 | | 362250080 |
| 016 | TERMINAL BOX | | 365940253 | | 365940253 | | 365940254 |
| 019 | BEARING | | 360306203 | | 360306203 | | 360306204 |
| 020 | BEARING | | 360306202 | | 360306202 | | 360306203 |
| 021 | ADIISTING RING | | 360600035 | | 360600035 | | 360600040 |
| 022 | Tie rod | | 369305135 | | 369305135 | | 369305148 |
| 023 | CAPACITOR | 361402125 | | 361402250 | 361402125 | | 361402250 |
| 024 | PRIMING PLUG | | 375192107 | | | 375192107 | |
| 025 | Drain plug | | 375192107 | | | 375192107 | |
| 026 | O RING | | 360931266 | | | 360931266 | |
| 034 | IMPELLER NUT | | 363300013 | | | 363300013 | |
| 038 | CIUNTER FLANGE | | 364401001 | | | 364401003 | |
| 039 | COUNTER FLANGE | | 364401001 | | | 364401003 | |
| 040 | SUCTION GASKET | | 364701140 | | | 364701150 | |
| 041 | DRAIN GASKET | | 364701140 | | | 364701150 | |
| 052 | TERMINAL BODY | | 363200550 | | 363200550 | | 363200201 |
| 053 | TERMINAL COVER | | 363201104 | | 363201104 | | 363201101 |
| 056 | BOX GASKET | | 364700810 | | 364700810 | | 364700811 |
| 058 | CABLE ENTRY | | 363201200 | | 363201200 | | 363201201 |
| 059 | Conic gasket | | 363201300 | | 363201300 | | 363201301 |
| 075 | WASHER | | 367667000 | | | 367667000 | |
| 076 | WASHER | | 367667000 | | | 367667000 | |
| 077 | O RING | | 360920919 | | | 360920919 | |
| 078 | O RING | | 360920919 | | | 360920919 | |
| 090 | BOX GASKET | | 364701515 | | | 364701515 | |
| 092 | LIP SEAL PUMP SIDE | | 360991521 | | | 360991521 | |
| 093 | LIP SEAL FAN SIDE | | 360991528 | | | 360991528 | |
| 234 | SEEGER RING | | 360600142 | | | 360600142 | |
| 257 | WIRE CLAMP | | 366550011 | | | 366550011 | |
| 266 | GASKET FOR WELDING | | 364747033 | | | 364747033 | |



LPS 3~ 50 Hz

| pos | PART NAME | 25/08 | 25/15 | 25/25 | 32/25 | 32/40 |
|-----|--------------------|------------|------------|------------|------------|------------|
| | | 1962010004 | 1962020004 | 1962030004 | 1963030004 | 1963040004 |
| 001 | CASEING | 251420100 | | | 251420101 | |
| 003 | MOTOR BRACKET | | | 240280630 | | |
| 004 | CASING COVER | | | 251497020 | | |
| 006 | SHAFT WITH ROTOR | | | 275412582 | | |
| 007 | IMPELLER | 251497274 | 251497266 | 251497255 | 251497278 | 251497271 |
| 011 | MECHANICAL SEAL | | | 360408003 | | |
| 012 | MOTOR FRAME | | | 277930750 | | |
| 013 | MOTOR COVER | | | 230225071 | | |
| 014 | FAN | | | 369950002 | | |
| 015 | FAN COVER | | | 362250071 | | |
| 016 | TERMINAL BOX | | | 365940256 | | |
| 019 | BEARING | | | 363232010 | | |
| 020 | BEARING | | | 360306203 | | |
| 021 | ADIISTING RING | | | 360306202 | | |
| 022 | Tie rod | | | 360600035 | | |
| 023 | CAPACITOR | | | 369305135 | | |
| 024 | PRIMING PLUG | | | 375192107 | | |
| 025 | Drain plug | | | 375192107 | | |
| 026 | O RING | | | 360931266 | | |
| 034 | IMPELLER NUT | | | 363300013 | | |
| 038 | CIUNTER FLANGE | | 364401000 | | 364401002 | |
| 039 | COUNTER FLANGE | | 364401000 | | 364401002 | |
| 040 | SUCTION GASKET | | 364701025 | | 364701132 | |
| 041 | DRAIN GASKET | | 364701025 | | 364701132 | |
| 056 | BOX GASKET | | | 364700810 | | |
| 058 | CABLE ENTRY | | | 366550010 | | |
| 075 | WASHER | | | 367667000 | | |
| 076 | WASHER | | | 367667000 | | |
| 077 | O RING | | | 360920919 | | |
| 078 | O RING | | | 360920919 | | |
| 092 | LIP SEAL PUMP SIDE | | | 360991521 | | |
| 093 | LIP SEAL FAN SIDE | | | 360991528 | | |
| 234 | SEEGER RING | | | 360600142 | | |
| 257 | WIRE CLAMP | | | 366550011 | | |
| 266 | GASKET FOR WELDING | | | 364747033 | | |



LPS 3~ 50 Hz

| pos | PART NAME | 40/25 | 40/40 | 40/75 | 50/40 | 50/75 | 50/150 |
|-----|--------------------|-----------|------------|------------|------------|------------|------------|
| | | 196403004 | 1964050004 | 1964070004 | 1965050004 | 1965070004 | 1965150004 |
| 001 | CASEING | | 251420102 | | | 251420103 | |
| 003 | MOTOR BRACKET | | 240280630 | | 240280630 | | 240280631 |
| 004 | CASING COVER | | 251497020 | | | 251497020 | |
| 006 | SHAFT WITH ROTOR | 275412582 | | 275412584 | 275412582 | 275412584 | 275412733 |
| 007 | IMPELLER | 251497282 | 251497283 | 251497270 | 251497256 | 251497258 | 251497261 |
| 011 | MECHANICAL SEAL | | 360408003 | | | 360408003 | |
| 012 | MOTOR FRAME | 277930750 | | 277930180 | 277930750 | 277930180 | 277930220 |
| 013 | MOTOR COVER | | 230225071 | | 230225071 | | 230225072 |
| 014 | FAN | | 369950002 | | 369950002 | | 369950003 |
| 015 | FAN COVER | | 362250071 | | 362250071 | | 362250080 |
| 016 | TERMINAL BOX | | 365940256 | | 365940256 | | 365950326 |
| 017 | TERMINAL BOX COVER | | | | 363232010 | | 363232008 |
| 019 | BEARING | | 363232010 | | 360306203 | | 360306204 |
| 020 | BEARING | | 360306203 | | 360306202 | | 360306203 |
| 021 | ADIISTING RING | | 360306202 | | 360600035 | | 360600040 |
| 022 | Tie rod | | 360600035 | | 369305135 | | 369305148 |
| 024 | PRIMING PLUG | | 369305135 | | | 375192107 | |
| 025 | Drain plug | | 375192107 | | | 375192107 | |
| 026 | O RING | | 360931266 | | | 360931266 | |
| 034 | IMPELLER NUT | | 363300013 | | | 363300013 | |
| 038 | CIUNTER FLANGE | | 364401001 | | | 364401003 | |
| 039 | COUNTER FLANGE | | 364401001 | | | 364401003 | |
| 040 | SUCTION GASKET | | 364701140 | | | 364701150 | |
| 041 | DRAIN GASKET | | 364701140 | | | 364701150 | |
| 056 | BOX GASKET | | 364700810 | | 364700810 | | 364700811 |
| 058 | CABLE ENTRY | | 366550010 | | | 366550010 | |
| 075 | WASHER | | 367667000 | | | 367667000 | |
| 076 | WASHER | | 367667000 | | | 367667000 | |
| 077 | O RING | | 362920919 | | | 360920919 | |
| 078 | O RING | | 360920919 | | | 360920919 | |
| 092 | LIP SEAL PUMP SIDE | | 360991521 | | | 360991521 | |
| 093 | LIP SEAL FAN SIDE | | 360991528 | | 360991528 | | 360991523 |
| 234 | SEEGER RING | | 360600142 | | 360600142 | | 360600147 |
| 257 | WIRE CLAMP | | 366550011 | | 366550011 | | 366550012 |
| 266 | GASKET FOR WELDING | | 364747033 | | | 364747033 | |

