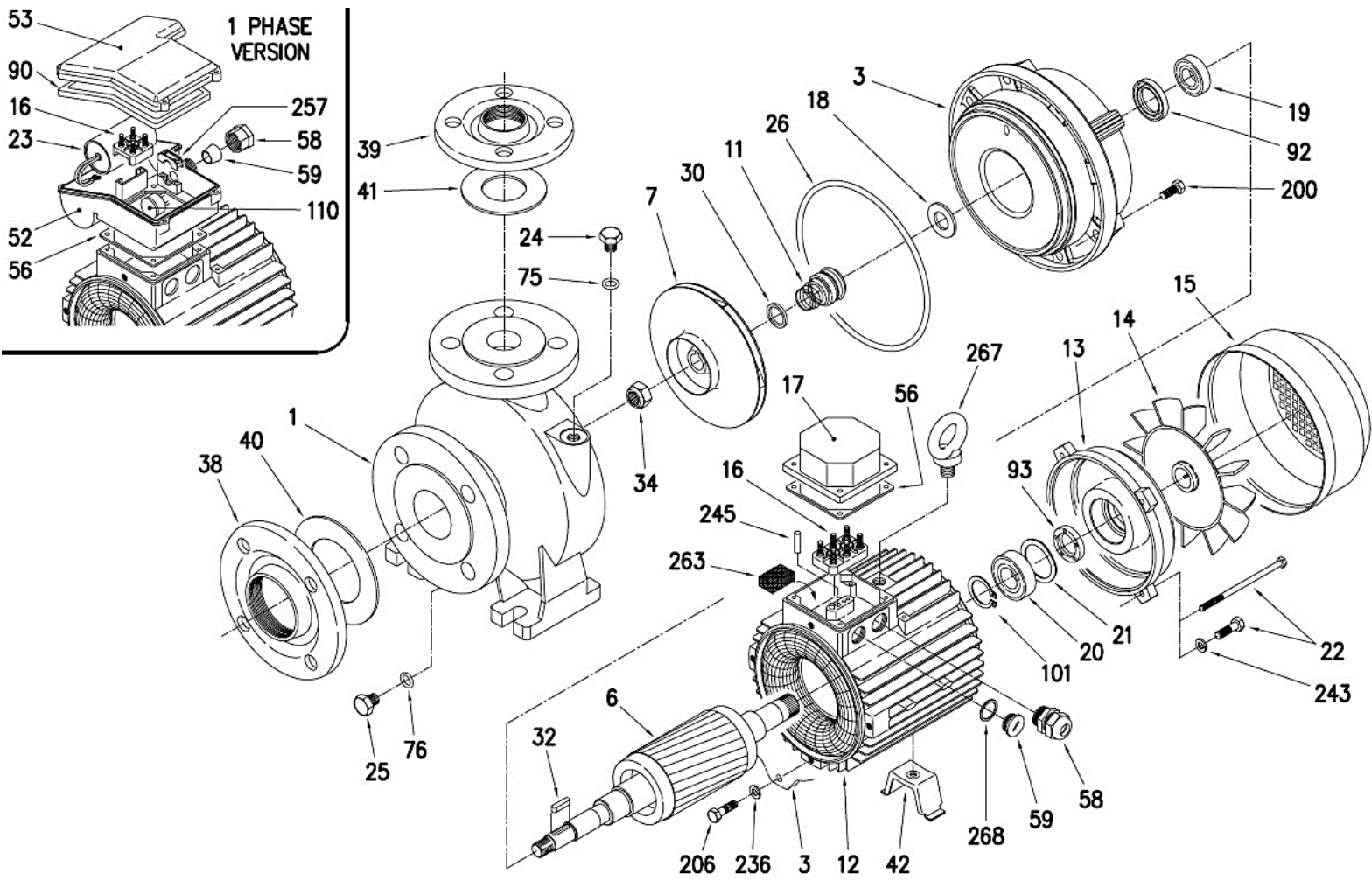


نقشه انفجاری پمپ سانتریفیوژ MD



MD 1~ 50Hz

POS	Part name	32-125 1.1	32-125 1.5	32-160 1.5	32-160 2.2
		122020000	122027000	122040000	1220370000
001	Casing	240020557		240020553	
003	Motor bracket	240080500		350090501	
006	Shaft with rotor	275412281	275412282		275412258
007	Impeller	240050575	240050576	240050577	240050578
011	Mechanical seal	360400001			
012	Motor frame w/stator	257930271	257930281		277930257
013	Motor cover	230225504			
014	Fan	369950009			
015	Fan cover	362250009			
016	Terminal	365940254			
018	Splash ring	367650215			
019	Bearing	360306205			
020	Bearing	360306205			
021	Adjusting ring	360600052			
022	Tie rod	369305165			369305190
023	Capacitor	361402315	361401400		361401500
024	Priming plug	375192500			
025	Drain plug	375192500			
026	O – ring	3601402315		360931774	
030	Spacer	345134100			
032	Key	361306625			
034	Impeller nut	363331000			
038	Counter flange	364401003			
039	Counter flange	364401002			
040	Suction gasket	364701150			
041	Delivery gasket	364701132			
042	Foot	371415011		371415000	
052	Capacitor box	363200201			
053	Terminal Cover	363201101			
056	Box Gasket	364700811			
058	Feasting nut	363201201			
059	Conic gasket	363201301			
075	Washer	360620003			
076	Washer	360620003			
090	Cover gasket	364701520			
092	Lip seal	360991531			
093	Lip seal	360991531			
110	Protector	369450509	369450517		369450603
200	Screw	369610830		369600011	
257	Wire clamp	366550012			



MD 1~50Hz

Pos	PART NAME	40-125/1.5M	40-125/2.2 M	50-125/2.2 M
		1230370000	1230270000	1240300000
001	Casing	240020556		240020560
003	Motor bracket	240080500		
006	Shaft with rotor	275412282	275412258	
007	Impeller	240050581	240050582	240050675
011	Mechanical seal	360400001		
012	Motor frame w/stator	257930281	277930257	
013	Motor cover	230225504		
014	Fan	369950009		
015	Fan cover	362250009		
016	Terminal	365940254		
018	Splash ring	367650215		
019	Bearing	360306205		
020	Bearing	360306205		
021	Adjusting ring	360600052		
022	Tie rod	369305165		
023	Capacitor	361401400	361401500	
024	Priming plug	375192500		
025	Drain plug	375192500		
026	O – ring	360931480		
030	Spacer	345134100		
032	Key	361306625		
034	Impeller nut	363331000		
038	Counter flange	364401004	364401004	
039	Counter flange	364401001	364401003	
040	Suction gasket	364701165	364701165	
041	Delivery gasket	364701140	364701150	
042	Foot	371415011	371415000	
052	Capacitor box	363200201		
053	Terminal Cover	363201101		
056	Box Gasket	364700811		
058	Feasting nut	363201201		
059	Conic gasket	363201301		
075	Washer	360620003		
076	Washer	360620003		
090	Cover gasket	364701520		
092	Lip seal	360991531		
093	Lip seal	360991531		
110	Protector	369450517	369450603	
200	Screw	369610830		
257	Wire clamp	366550012		



MD 3~50Hz

Pos	PART NAME	32-125/1.1	32-125/1.5	32-160/1.5	32160/2.2	32-200/3
		1220200004	1220270004	1220400004	1220370004	1220750004
001	Casing	240020557		240020553		240020555
003	Motor bracket	240080500		240080501		140080503
006	Shaft with rotor	275412842			275412845	275412844
007	Impeller	240050575	240050576	240050577	240050578	240050579
011	Mechanical seal	360400001				
012	Motor frame w/stator	277930901			277930430	277930425
013	Motor cover	230225504				
014	Fan	369950009				
015	Fan cover	322500009				
016	Terminal	365950326				
018	Splash ring	363232008				
019	Bearing	367650215				
020	Bearing	360306205				
021	Adjusting ring	360306205				
022	Tie rod	360600052				
023	Capacitor	369305165				
024	Priming plug	375192500				
025	Drain plug	375192500				
026	O – ring	360931480	360931774		360932218	
030	Spacer	345134100				
032	Key	361306625				
034	Impeller nut	363331000				
038	Counter flange	364401003				
039	Counter flange	364401002				
040	Suction gasket	364701150				
041	Delivery gasket	364701132				
042	Foot	371415011	371415000		371415001	
056	Box Gasket	364700811				
058	Feasting nut	366550013				
059	Plug	--	--	--	---	--
075	Washer	360620003				
076	Washer	360620003				
092	Lip seal	360991531				
093	Lip seal	360991531				
200	Screw	369610830		369600011		369600011



MD 3~ 50Hz

Pos	PART NAME	32-200/4	3-250/5.5-A	32-250/7.5 -A	32-250/9.2 -A	32-250/11
		1220890004	1220930006A	122940006A	1220970006A	1220960006
001	Casing	240020555	240020875			
003	Motor bracket	240080504	240080587		240080588	
006	Shaft with rotor	275412303	275412349	275412354	275412400	275412401
007	Impeller	240050580	240750956	240750927	240750834	240750133
011	Mechanical seal	360400001				360400004
012	Motor frame w/stator	277930421	277932352	277930353	277930433	277930434
013	Motor cover	230225507	230225508	230225087	230225510	
014	Fan	369950004	369950010		369950011	
015	Fan cover	362250100	362250112		362250132	
016	Terminal	365956366			365970456	
018	Splash ring	363232008	363232009			
019	Bearing	367650215			367650300	
020	Bearing	360306206	360306306		360306308	
021	Adjusting ring	360306205	360306206		360306208	
022	Tie rod	360600052	360600062		360600080	
023	Capacitor	369306200	369306215	369393024	369393201	
024	Priming plug	375192500				
025	Drain plug	375192500				
026	O – ring	360932218	360927899			
030	Spacer	345134100				
032	Key	361306625			361308730	
034	Impeller nut	363331000			363330020	
038	Counter flange	364401003				
039	Counter flange	364401002				
040	Suction gasket	364701150				
041	Delivery gasket	364701132				
042	Foot	371415003	371472075		371415023	
056	Box Gasket	364700811	364700812			
058	Feasting nut	366550014			366550021	
059	Plug	--	369200580			
075	Washer	360620003				
076	Washer	360620003				
092	Lip seal	360991525			360991526	
093	Lip seal	360991531	360991525		360991526	
101	Seeger ring	--	--	--	360601400	
200	Screw	3696000011	369600053			



MD 3~ 50Hz

Pos	PART NAME	40-125/1.5 1230370004	40-125/2.2 1230270004	40-160/3 1230550004	40-160/4 1230400004	40-200/5.5A 1230900006A
001	Casing	240020556		240020552		240020554
003	Motor bracket	240080500		240080502	240080505	240080506
006	Shaft with rotor	275412842	275412845	275412844	275412303	275412349
007	Impeller	240050581	240050582	240050583	240050584	240050585
011	Mechanical seal	360400001				
012	Motor frame w/stator	277930901	277930430	277930425	277930421	277932352
013	Motor cover	230225504			230225507	230225508
014	Fan	369950009			369950004	369950010
015	Fan cover	362250009			362250100	362250112
016	Terminal	365950326			365956366	
018	Splash ring	363232008			363232009	
019	Bearing	367650215				
020	Bearing	360306205			360306206	360306306
021	Adjusting ring	360306205				360306206
022	Tie rod	360600052				360600062
023	Capacitor	369305165		369305190	369306200	369306215
024	Priming plug	375192500				
025	Drain plug	375192500				
026	O – ring	360931480		360931774		360932218
030	Spacer	345134100				
032	Key	361306625				
034	Impeller nut	363331000				
038	Counter flange	364401004				
039	Counter flange	364401001				
040	Suction gasket	364701165				
041	Delivery gasket	364701140				
042	Foot	371415011		371415000	371415021	371415023
056	Box Gasket	364700811				364700812
058	Feasting nut	366550013			366550014	
059	Plug	--	--	--	---	369200580
075	Washer	360620003				
076	Washer	360620003				
092	Lip seal	360991531			360991525	360991525
093	Lip seal	360991531				360991525
200	Screw	369610830		369600011		



MD 3~ 50Hz

Pos	PART NAME	40-200/7.5 A	40-250/11 A	40-250/15 A	40-250/13	50-125/2.2
		1230890006A	1230960006A	1230970006A	1230950006	1240300004
001	Casing	240020554		240020876		240020560
003	Motor bracket	240080506	240080588	240080647	240080588	240080500
006	Shaft with rotor	275412354	275412401	275412998	275412402	275412845
007	Impeller	240050586	240750835	240750832	240750137	240050675
011	Mechanical seal	360400001		360400004		360400001
012	Motor frame w/stator	277930353	277930434	277930435	277930431	277930430
013	Motor cover	230225087	230225510	230225515	230225510	230225504
014	Fan	369950010	230225510	230225515	230225510	230225504
015	Fan cover	362250112	362250132	362250160	362250132	369950009
016	Terminal	365956366	365970456	365995606	365970456	362250009
017	Terminal box	365956366	365970456	365995606	365970456	365950326
018	Splash ring	363232009	363232009	363232016	363232009	363232008
019	Bearing	367650215	367650300	367650300	367650300	367650215
020	Bearing	360306306	360306308	360306309	360306308	360306205
021	Adjusting ring	360306206	360306208	360306309	360306208	360306208
022	Tie rod	360600062	360600080	360600110	360600080	360600052
023	Capacitor	369393024	369393201	369600001	369393201	369305165
024	Priming plug			375192500		
025	Drain plug			375192500		
026	O – ring	360932218		360927899		360931480
030	Spacer	345134100		345434001		345134100
032	Key	361306625		361308730		361306625
034	Impeller nut	363331000		363330020		363331000
038	Counter flange			364401004		
039	Counter flange		364401001			364401003
040	Suction gasket			364701165		
041	Delivery gasket		364701140			364701150
042	Foot		371415023		371415023	371415000
056	Box Gasket		364700812		364700812	364700811
058	Feasting nut	366550014	366550021		366550021	366550013
059	Plug		369200580		369200580	
075	Washer		360620003			
076	Washer		360620003			
092	Lip seal	360991525	360991526		360991526	360991531
093	Lip seal	360991525	360991526		360991526	360991531
101	Seeger ring	---	360601400	--	360601400	--
200	Screw	369600011	369600053			



MD 3~ 50Hz

Pos	PART NAME	50-125/3.0 1240550004	50-125/4 1240400004	50-160/5.5A 1240900006A	50-160/7.5A 1240890006A	50-200/9.5 1240970006
001	Casing	240020560		240020561		240020562
003	Motor bracket	240080500	240080507	240080508		240080509
006	Shaft with rotor	275412844	275412303	275412349	275412354	275412400
007	Impeller	240050587	240050588	240050589	240050590	240050591
011	Mechanical seal	360400001				360400004
012	Motor frame w/stator	277930425	277930421	277932352	277930353	277930433
013	Motor cover	230225504	230225507	230225508	230225087	230225510
014	Fan	369950009	369950004	369950010		369950011
015	Fan cover	362250009	362250100	362250112		362250132
016	Terminal	365950326	365956366			365970456
017	Terminal box	363232008	363232009			
018	Splash ring	367650215				367650300
019	Bearing	360306205	360306206	360306306		360306308
020	Bearing	360306205		360306206		360306208
021	Adjusting ring	360600052		360600062		360600080
022	Tie rod	369305190	369306200	369306215	369393024	369393202
023	Capacitor	--	--	--	--	--
024	Priming plug	375192500				
025	Drain plug	375192500				
026	O – ring	360931480		360931774		360932218
030	Spacer	345134100			345434001	
032	Key	361306625			361308730	
034	Impeller nut	363331000			363330020	
038	Counter flange	364401004				
039	Counter flange	364401003				
040	Suction gasket	364701165				
041	Delivery gasket	364701150				
042	Foot	371415000	371415021	371415023		371415012
056	Box Gasket	364700811		364700812		
058	Feasting nut	366550013	366550014		366550021	
059	Plug	--	--	369200580		
075	Washer	360620003				
076	Washer	360620003				
092	Lip seal	360991531	360991525			360991526
093	Lip seal	360991531		360991525		360991526
101	Seeger ring	--	--	--	--	360601400
200	Screw	369610830		369600011		369600011



Pos	PART NAME	50-200/11	50-250/15A	50-250/18.5A	50-250/22	65-125/5.5A
		1240960006	1240980006A	1240990006A	1240910006	1250550006A
001	Casing	240020562		240020877		240020563
003	Motor bracket	240080509		240080647		240080510
006	Shaft with rotor	275412401	275412998	275412996	275412997	275412349
007	Impeller	240050592	240750833	240750929	240750141	240050593
011	Mechanical seal		360400004			360400001
012	Motor frame w/stator	277930434	277930435	277930435	277930435	277932352
013	Motor cover	230225510		230225515		230225508
014	Fan	369950011		369950013		369950010
015	Fan cover	362250132		362250160		362250112
016	Terminal	364970456		365995606		365956366
017	Terminal box	363232009		363232016		363232009
018	Splash ring		367650300			367650215
019	Bearing	360306308		360306309		360306306
020	Bearing	360306208		360306309		360306206
021	Adjusting ring	360300080		360600110		360600062
022	Tie rod	369393202		369600001		369306215
024	Priming plug			375192500		
025	Drain plug			375192500		
026	O – ring	360932218		360927899		360931774
030	Spacer		345434001			345134100
032	Key		361308730			361306625
034	Impeller nut		363330020			363331000
038	Counter flange		364401004			364401005
039	Counter flange		364401003			364401004
040	Suction gasket		364701165			364701180
041	Delivery gasket		364701150			364701165
042	Foot	371415012	371472095	371472095	371472095	371415023
056	Box Gasket	364700812	364700813	364700813	364700813	364700812
058	Feasting nut	366550021	366550021	366550021	366550021	366550014
059	Plug	369200580	369200570	369200570	369200570	369200580
075	Washer			360620003		
076	Washer			360620003		
092	Lip seal	360991526	360991533	360991533	369200570	360991525
093	Lip seal	360991526	360991533	360991533	369200570	3600991525
101	Seeger ring	360601400	--	--	--	--
200	Screw	369600011		369600053		369610830
206	Screw for bracket	--		360610025		--
236	Washer grower	--		360610025		--
243	Washer grower	--		360610025		--
245	Elastic pin	--		367900032		--
263	Spacer for terminal box	--		372540569		--
267	Lifting ring	--		341448004		--
268	O – ring	--		360922507		--



MD 3~ 50Hz

Pos	PART NAME	65-125/7.5A	65-125/11	65-160/15	65-200/18.5A	65-200/22A
		1250750006A	1250920006	1250970006	1250930006A	1250910006A
001	Casing	240020563	240020564		240020565	
003	Motor bracket	240080510	240080511		240080645	
006	Shaft with rotor	275412354	275412401	275412402	275412996	275412997
007	Impeller	240050594	240050595	240050596	240050597	240050598
011	Mechanical seal	360400001	360400004			
012	Motor frame w/stator	277930353	277930434	277930431	277930435	
013	Motor cover	230225087	230225510		230225515	
014	Fan	369950010	369950011		369950013	
015	Fan cover	362250112	362250132		362250160	
016	Terminal	365956366	365970456		365995606	
017	Terminal box		363232009		363232016	
018	Splash ring	367650215	367650300		367650300	
019	Bearing	360306306	360306308		360306309	
020	Bearing	360306206	360306208		360306309	
021	Adjusting ring	360600062	360600080		360600110	
022	Tie rod	369393024	369393201		369600001	
024	Priming plug		375192500			
025	Drain plug		375192500			
026	O – ring	360931774		360932218		
030	Spacer	345134100		345434001		
032	Key	361306625		361308730		
034	Impeller nut	363331000		363330020		
038	Counter flange		364401005			
039	Counter flange		364401004			
040	Suction gasket		364701180			
041	Delivery gasket		364701165			
042	Foot	371415023	371415012		371472095	
056	Box Gasket		364700812		364700813	
058	Feasting nut	366550014	366550021		366550021	
059	Plug		369200580		366550021	369200570
075	Washer		360620003			
076	Washer		360620003			
092	Lip seal	360991525	360991526		360991533	
093	Lip seal	360991525	360991526		360991533	
101	Seeger ring	--	360601400		--	--
200	Screw	369610830	369600011		369600011	
206	Screw for bracket	--	--	--	369600001	
236	Washer grower	--	--	--	360610025	
243	Washer grower	--	--	--	360610025	
245	Elastic pin	--	--	--	367900032	
263	Spacer for terminal box	--	--	--	372540569	
267	Lifting ring	--	--	--	341448004	



