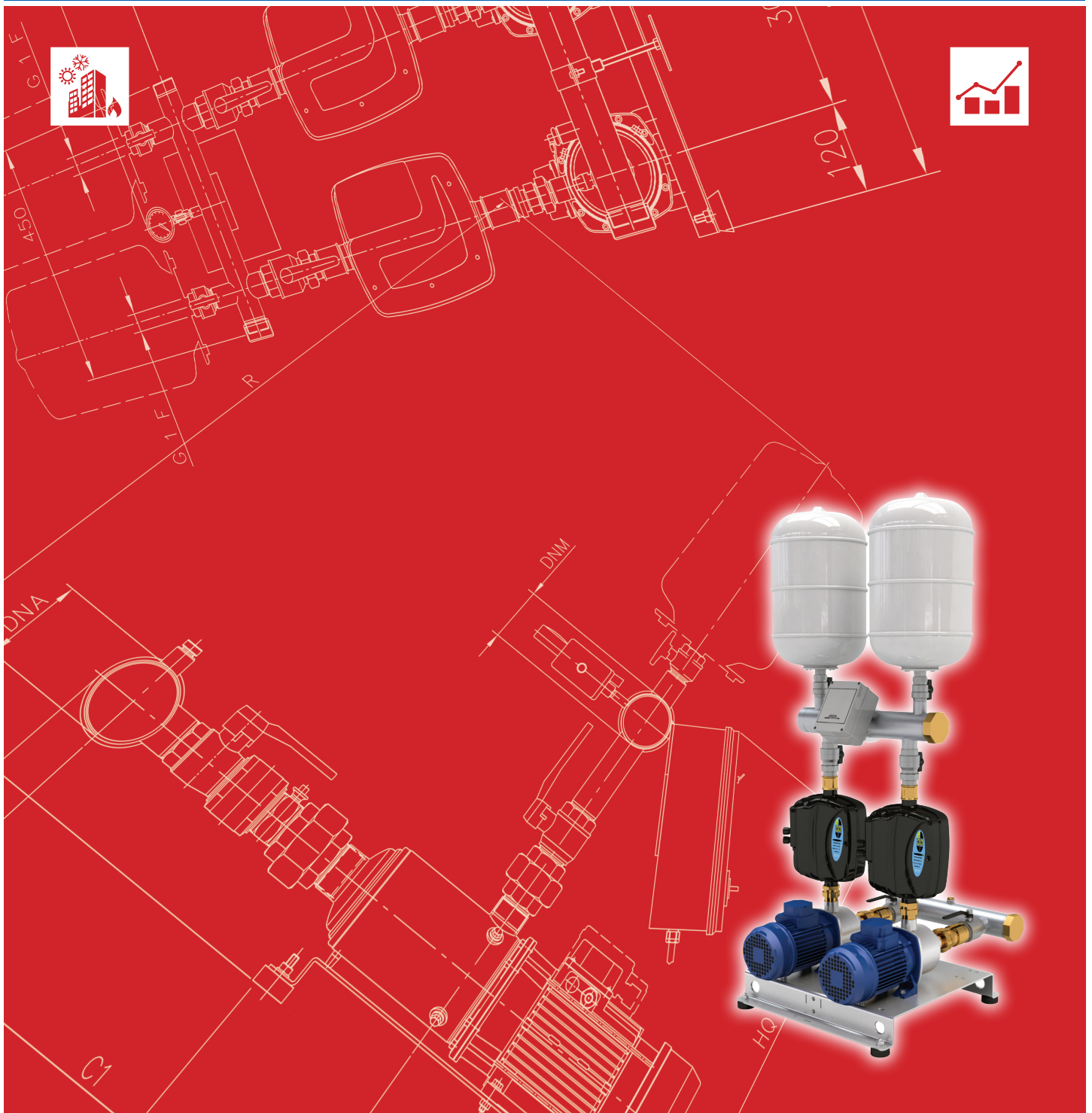




Japanese Technology since 1912

MATRIX Booster Sets

Data Book 50Hz



INDEX

Page

INDEX	2
DEFINITION AND USE OF PRESSURISATION UNITS	101
TYPICAL APPLICATIONS	101
PRINCIPLE OF OPERATION OF GP PRESSURISATION UNITS	101
PRINCIPLE OF OPERATION OF GPE PRESSURISATION UNITS	101
OPERATING CONDITIONS	102
TESTS AND TRIALS	102
MECHANICAL AND HYDRAULIC TESTS	102
ELECTRICAL TESTS	102
Principle of Operation of GPE Pressurisation UNITS with E-drive and E-SPD	102
Principle of Operation of GPE Pressurisation UNITS with E-power and Hydrocontroller	102
Principle of Operation of GPE Pressurisation UNITS with an EFC control panel	103
Principle of Operation of GPE Pressurisation UNITS with an MFC control panel	103
Fig. 1 - TWO PUMP UNIT WITH CONSTANT PRESSURE REGULATION	104
PRESSURISATION UNIT WATER CIRCUIT DIAGRAM	104
TYPE KEY	106
NAME PLATE	106
PRODUCT SPECIFICATIONS	201
HYDRAULIC COMPONENTS AND CONTROL	201
ELECTRIC PANEL	202
TECHNICAL PUMP DATA	203
TECHNICAL MOTOR DATA	204
PERFORMANCE RANGE	301
RESEAU BOOSTER SET 2GP(E) MATRIX	301
CURVE SPECIFICATION 2GP(E)	401
SELECTION CHART 2GP(E) MATRIX	402
PERFORMANCE CURVE 2GP(E)	403
2GP(E) MATRIX 3-3T/0.65(M)	403
2GP(E) MATRIX 3-4T/0.65(M)	404
2GP(E) MATRIX 3-5T/0.75(M)	405
2GP(E) MATRIX 3-6T/0.9(M)	406
2GP(E) MATRIX 3-7T/1.3(M)	407
2GP(E) MATRIX 3-8T/1.3(M)	408
2GP(E) MATRIX 3-9T/1.5(M)	409
2GP(E) MATRIX 5-3T/0.65(M)	410
2GP(E) MATRIX 5-4T/0.9(M)	411
2GP(E) MATRIX 5-5T/1.3(M)	412

2GP(E) MATRIX 5-6T/1.3(M)	413
2GP(E) MATRIX 5-7T/1.5(M)	414
2GP(E) MATRIX 5-8T/2.2(M)	415
2GP(E) MATRIX 5-9T/2.2(M)	416
2GP(E) MATRIX 10-3T/1.3(M)	417
2GP(E) MATRIX 10-4T/1.5(M)	418
2GP(E) MATRIX 10-5T/2.2(M)	419
2GP(E) MATRIX 10-6T/2.2(M)	420
2GP(E) MATRIX 18-3T/2.2(M)	421
2GP(E) MATRIX 18-4T/3	422
2GP(E) MATRIX 18-5T/4	423
2GP(E) MATRIX 18-6T/4	424
2GP CONSTRUCTION	701
EXTERNAL VIEW 2GP MATRIX 3-5	701
EXTERNAL VIEW 2GP MATRIX 10-18	702
2GPE CONSTRUCTION	703
EXTERNAL VIEW 2GPE MATRIX 3-5 E-POWER	703
EXTERNAL VIEW 2GPE MATRIX10 E-POWER	704
EXTERNAL VIEW 2GPE MATRIX 3-5 HYDROCONTROLLER	705
EXTERNAL VIEW 2GPE MATRIX 10 HYDROCONTROLLER	706
EXTERNAL VIEW 2GPE MATRIX 3-5 E-SPD	707
EXTERNAL VIEW 2GPE MATRIX 10 E-SPD	708
EXTERNAL VIEW 2GPE MATRIX EFC/MFC	709
OVERALL DIMENSIONS 2GP BOOSTER SET	710
2GP MATRIX	710
OVERALL DIMENSIONS 2GPE BOOSTER SET	711
2GPE MATRIX E-POWER	711
2GPE MATRIX HYDROCONTROLLER	712
EXTERNAL VIEW 2GPE MATRIX 3-5-10 E-SPD	713
2GPE MATRIX EFC/MFC	714
2GP(E) MATRIX PACKING	715
2GP MATRIX	715
2GPE MATRIX	716
CONTROL PANEL FIXED SPEED	801
2 EP-E SPECIFICATION	801
CONTROL PANEL VARIABLE SPEED	803
E-POWER SPECIFICATION	803
HYDROCONTROLLER SPECIFICATION	804
E-SPD SPECIFICATION	805
SP (EFC and MFC) SPECIFICATION	806

① click INDEX to jump CORRESPONDING SECTION

INTENTIONALLY EMPTY PAGE

DEFINITION AND USE OF PRESSURISATION UNITS

In situations in which a municipal water mains is lacking or insufficient for the proper operation of the services, one must install a pressurization unit to provide acceptable pressure and flow rates to even in the most unfavourable services. Pressurisation units are used wherever there is a need to increase the pressure, or to pressurise a water circuit. **EBARA GP pressurisation units** are automatic systems with 2 or more pumps operating in parallel, designed to provide a simple and reliable solution to the most common requirements for maintenance of water supply pressure for apartment buildings, hotels, centres, offices and schools as well as providing auxiliary service in industrial and agricultural applications. They stand out for their robust construction, compact size, excellent efficiency and silent operation. GP units are equipped for connection to membrane and air cushion autoclaves. They are controlled by pressure switches or, for units with INVERTER control, by the signal from a pressure transmitter.

TYPICAL APPLICATIONS

INDUSTRY	BUILDING SERVICE	WATER SUPPLY
		

PRINCIPLE OF OPERATION OF GP PRESSURISATION UNITS

When water is demanded, it is first drawn from the autoclave tank (if present). This demand for water, with the pumps stopped, lowers the pressure until the pressure transmitter starts the first electropump. If the output flow is greater than the delivery capacity of a single pump, the pressure continues falling until the pressure transmitter, thus starting the second pump. This happens for all pumps in the unit. When the water demand stops or reduces, the system pressure rises, the pressure transmitter shutting off the pumps one by one. This is done in inverse order to that in which the motors were started up, the number of hourly starts per pump is reduced and they are all used to the same extent.

NB: By connecting a float switch or minimum pressure switch to the control panel (both for demand from the first accumulation tank and from the water circuit itself) one can prevent the most frequent cause of pump failure: dry running

PRINCIPLE OF OPERATION OF GPE PRESSURISATION UNITS

GPE units are designed to operate with a pump controlled by an **INVERTER** in the control panel, on board the motor, or in-line. The unit thus maintains constant pressure in the water circuit.

There are various versions of GPE unit:

- With **INVERTER** in the control panel (Standard **EFC** version)
With a single **INVERTER** controlling a single pump which is alternated with the others at each start up (MFC version, on request, in which each pump is **INVERTER** controlled).
- With multiple **INVERTERS**, each pump controlled by its own **INVERTER** (**MFC versions**, versions with **INVERTER** on board motor or in-line **INVERTER**)

Note: Not all control options shown in the introduction are available with Matrix pumps

OPERATING CONDITIONS

EBARA GP-GPE pressurisation units can be used, in their standard versions, for civil, industrial and agricultural applications, as follows:

- building service
- water lifting and handling
- A/C
- heating
- irrigation
- washing systems

The conveyed fluid must be: clean, potable, ground or mixed water, free of solid or fibrous suspensions and aggressive chemical substances.

The units must be installed under cover, protected from the weather and freezing.

- Conveyed water temperature 0 - 50°C (depending on pumps).
- Ambient operating temperature 0 - 40°C, no higher than 1000 m above sea level.
- Max relative humidity 50% at +40°C.

NB: The system available NPSH must be greater than the NPSH demanded from the pump. For applications with different technical specifications, uses and climatic conditions (type of vector fluid, marine and aggressive industrial conditions), please contact our sales network.

TESTS AND TRIALS

Before shipping, all EBARA pressurisation units are subject to hydraulic, mechanical and electrical testing.

MECHANICAL AND HYDRAULIC TESTS

- Pressure switch calibration
- Pump direction of rotation
- Mechanical testing of moving parts and running noise (on each pump)
- Tightness test with delivery port closed and nameplate rating tests
- MANUAL trials (using button on control panel) for each pump
- AUTOMATIC trials (using switch on control panel) for unit

ELECTRICAL TESTS

- Earthing system continuity
- Applied voltage (dielectric rigidity)
- Insulation resistance

Principle of Operation of GPE Pressurisation UNITS with E-drive and E-SPD

GPE units with E-drive and E-SPD are designed to operate with each pumps controlled by an INVERTER installed on board its motor, E-drive up the fan cover, E-SPD on the terminal box. The system is controlled by an MASTER INVERTER in relation to the reference signal supply by a pressure transmitters (4 - 20 mA passive). As the system pressure varies, the MASTER pump varies its rotary speed to restore it to the setpoint. If the water demand exceeds the capacity of the pump, the second variable speed pump cuts in and, pump goes into regulation mode to maintain the pressure setpoint; this happens for all the pumps in the unit. If the water demand drops off, the pressure tends to increase and the latest pump gradually reduces its speed to restore the correct operating pressure. This results in the regulation of the speed of the other pumps, until they gradually turn off. Once the system pressure has been restored and the water demand is 0, the MASTER pump switches off automatically.

Principle of Operation of GPE Pressurisation UNITS with E-power and Hydrocontroller

GPE units with E-power and Hydrocontroller are two pumps unit and are designed to operate with pumps controlled by an INVERTER in-line type. As the system pressure varies, the MASTER pump varies its rotary speed to restore it to the setpoint. If the water demand exceeds the capacity of the pump, the second variable speed pump cuts in and, the two pumps rotate at variable synchronous speed to restore the operating pressure. If the water demand drops off, the pressure tends to increase and both pumps gradually reduces its speed to

restore the correct operating pressure. This results in the regulation of the speed of the other pumps, until they gradually turn off when the water demand is 0.

Principle of Operation of GPE Pressurisation UNITS with an EFC control panel

EFC multiple pump control units power pump n. 1 with the INVERTER to modulate system performance in relation to the reference signal while the other pumps are run at maximum nominal speed (around 2900 rpm) and started and stopped in relation to demand. These means there are two distinct primary electrical circuits:

- n. 1 - INVERTER startup/control of a single pump,
- n. 2 - contactor startup (direct or star/delta) of the other pumps.

The system is controlled by an electronic controller in relation to the reference signal supply by a pressure transmitter, flow meter or other unified control signal (4 - 20 mA passive).

If the electronic controller or pressure transmitter fails, a system of pressure switches controls the pumps directly (if present).

- In case of water distribution at constant pressure (Fig.1), the electronic controller is connected to the pressure transmitter on the units' delivery manifold, which outputs a signal proportional to the circuit pressure. When the pressure drops due to water demand, the pressure transmitter signal also drops and the controller starts and controls the speed of the first pump with the INVERTER to restore the reference/ operating pressure. If the pump's flow rate is lower than demand, the circuit pressure will continue to drop and the system responds by increasing the pump's speed. Once pump n. 1 reaches its maximum speed and demand is still in excess of its delivery, the controller will start pump n. 2 at maximum speed. The speed of pump n. 1 is immediately modulated so as to establish the operating pressure. If the pressure drops even further and pump n. 1 is once again running at maximum speed, the controller starts up pump n. 3, and so on for all pumps in the unit. If the water demand drops off, the pressure tends to increase and the controller reduces the speed of pump n. 1 to restore the correct operating pressure. At this point, the controller will stop one of the pumps running at maximum speed, while the speed of pump n. 1 is modulated to maintain the reference pressure. As the pressure continues to increase due to reduced demand, once the minimum speed of pump n. 1 is reached once more the controller will stop pump n. 3 and then pump n. 2. Once the demand for water has completely ceased, the controller reduces the speed of pump n. 1 to its minimum and after a set delay (around 1 minute) stops this pump too. The next time the system is started up, the INVERTER controlled pump will no longer be pump n. 1, but n. 2. The INVERTER controlled pump thus rotates through all pumps in sequence.

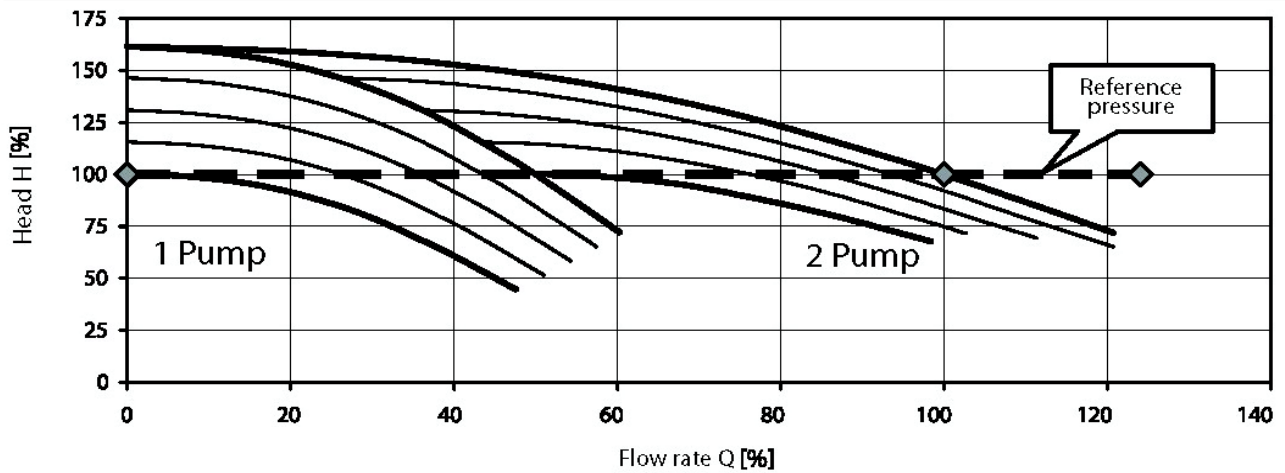
Principle of Operation of GPE Pressurisation UNITS with an MFC control panel

MFC multiple pump control panels power each pump with an INVERTER to modulate system performance in relation to the reference signal. MFC controllers differ from EFC controller from the point of view of their construction, since instead of having a single INVERTER to control all the pumps, each pump has its own INVERTER. The two types of control panel differ in construction, but they have the same type of operation by the controller, which responds to the reference signal output by a pressure transmitter or other unified control (4 - 20 mA passive). If the electronic controller or pressure transmitter fails, a system of pressure switches controls the INVERTERS directly.

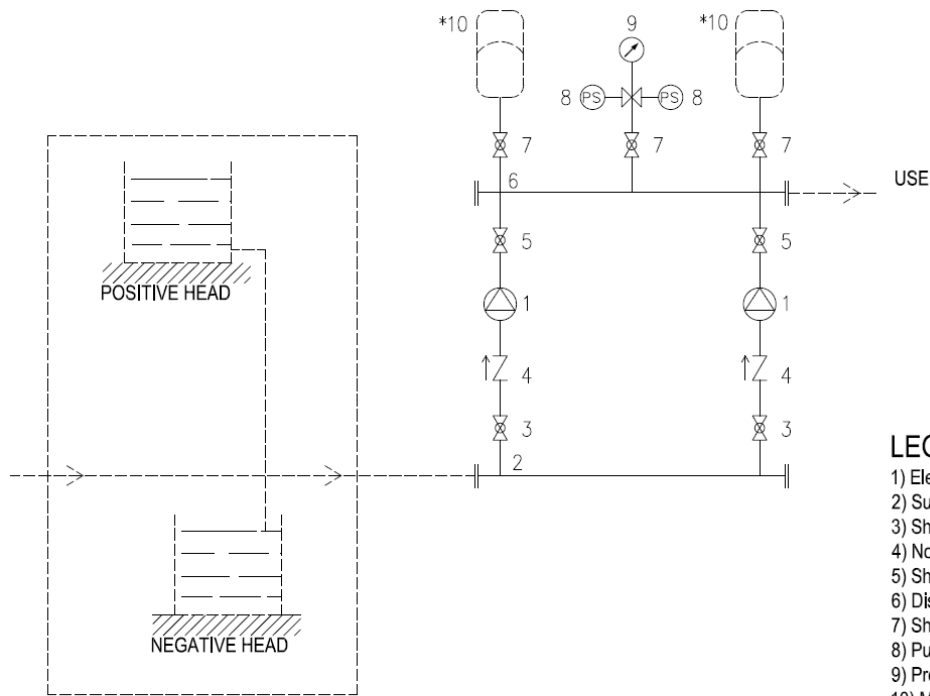
- In case of water distribution at constant starting pressure (Fig.1), the electronic controller is connected to the pressure transmitter on the units' delivery manifold, which outputs a signal proportional to the circuit pressure. When the pressure drops due to water demand, the pressure transmitter signal also drops and the controller starts and controls the speed of the first pump with the INVERTER to restore the reference/ operating pressure. If the pump's flow rate is lower than demand, the circuit pressure will continue to drop and the system responds by increasing the pump's speed. Once pump n. 1 reaches its maximum speed and demand is still in excess of its delivery, the controller will start pump n. 2, also at variable synchronous speed. The controller will modulate the speed of the two pumps to restore the operating pressure; the modulating frequency is the same for both pumps. If the pressure drops even further and pumps n. 1 and 2 are once again running at maximum speed, the controller starts up pump n. 3, and then pump n. 4, if present. When the water demand is reduced the pressure will end to increase, as does the pressure transmitter output value. The controller thus reduces the speed of pumps n. 1, 2, 3 and 4 (they are all controlled at the same speed) to restore the reference/ operating pressure. If the pumps' flow rate is greater than demand, the circuit pressure will continue to increase and the system responds by decreasing the speed of the pumps until it reaches the minimum speed setting. At this point, the controller will stop pump n. 4, while the speed of pumps n. 1, 2 and 3 is modulated to maintain the reference pressure. As the pressure continues to increase due to reduced demand, once the minimum speed setting is

reached again, the controller will stop pump n. 3 and modulate the speed of pumps n. 1 and 2. This continues in sequence as the demand continues to fall, until the unit is completely stopped.

Fig. 1 - TWO PUMP UNIT WITH CONSTANT PRESSURE REGULATION



PRESSURISATION UNIT WATER CIRCUIT DIAGRAM

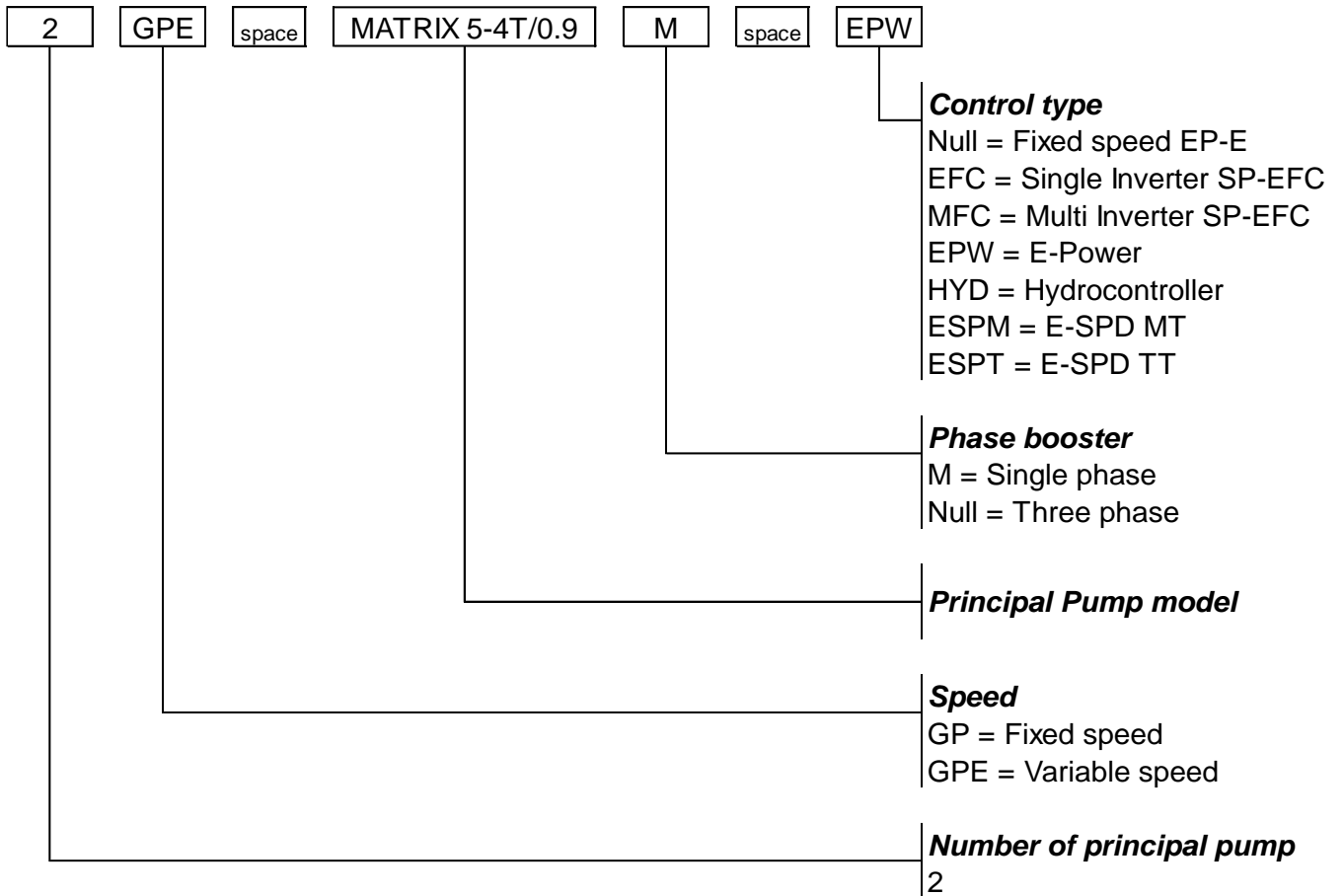


SUPPLY SYSTEM UPSTREAM FROM UNIT AT THE DISCRETION OF THE CUSTOMER OF THE SYSTEM DESIGNER



LEGEND

- 1) Electric Pump
- 2) Suction manifold
- 3) Shut-off valve in suction
- 4) Non-return valve
- 5) Shut-off valve in discharge
- 6) Discharge manifold
- 7) Shut-off valve
- 8) Pump control/regulation pressure switches
- 9) Pressure gauge
- 10) Membrane vessel (Optional*)

TYPE KEY
2GP(E) MATRIX



NAME PLATE

 EBARA Via Campo Sportivo, 30 38023 CLES (TN) ITALY		 MADE IN ITALY
BOOSTER UNIT		
TYPE	①	
P/N	②	
S/N	③	

- 1) "TYPE" booster model
- 2) "P/N" booster item number
- 3) "S/N" booster serial number

PRODUCT SPECIFICATIONS HYDRAULIC COMPONENTS AND CONTROL

BOOSTER SET							
MATRIX							
Operating range	Version		3	5	10	18	
	Nominal flow rate (m ³ /h)	Single pump		4.8	7.8	15.0	27.0
		2GP(E)		9.6	15.6	30.0	54.0
	Maximum working pressure			10 bar			
	Liquid temperature range			0÷50°C (0÷40°C for EPW and HYD versions)			
	Ambient operating temperature (no higher than 1000 m above sea level)			0÷40°C			
Hydraulic components	Frame		Omega sheet Galvanized steel				
	Manifold suction / discharge		Threaded manifold AISI 304				
	Closing manifold		Threaded female cap Brass (up to 2"1/2 manifold) Galvanized steel (3" manifold)				
	Check valve		Threaded check valve Brass / NBR				
	Ball valve		Threaded ball valve Brass / PTFE				
	Socket for air feeders (only for "GP" version)		Threaded socket Brass				
Control	Pressure gauge		M3A-ABS 50/FR / plastic-copper alloy				
	Pressure switches		Only for GPE version with SP EFC / MFC panel with inverter XMP / -25°C...+70°C				
	Pressure transmitter		GP version with EP-E panel fixed speed GPE version with SP EFC / MFC panel GPE version with E-SPD EN 10088-1.4301 (AISI 304) / 1.4404 (AISI 316L)				

ELECTRIC PANEL

BOOSTER SET						
MATRIX						
Operating range	Version		3	5	10	18
	Nominal flow rate (m ³ /h)	Single pump	4.8	7.8	15.0	27.0
		2GP (E)	9.6	15.6	30.0	54.0
Control panel	Principal Electric panel	EP-E fixed speed (only for GP)	•	•	•	•
		SP EFC/MFC variable speed (only for GPE)	○	○	○	•
	E-power (EPW) [1]	single-phase supply inverter (only for GPE)	•	•	•	-
	Hydrocontroller (HYD) [1]	three-phase supply inverter (only for GPE)	•	•	•	-
	E-SPD [1]	ESPDM single-phase supply inverter (only for GPE up to 1.3 kW)	•	•	•	-
		ESPDT three-phase supply inverter (only for GPE up to 2.2 kW)	•	•	•	-

• : Standard ○ : Optional

[1] To be assemble with protection panel (to see "PROTECTION PANEL" section)

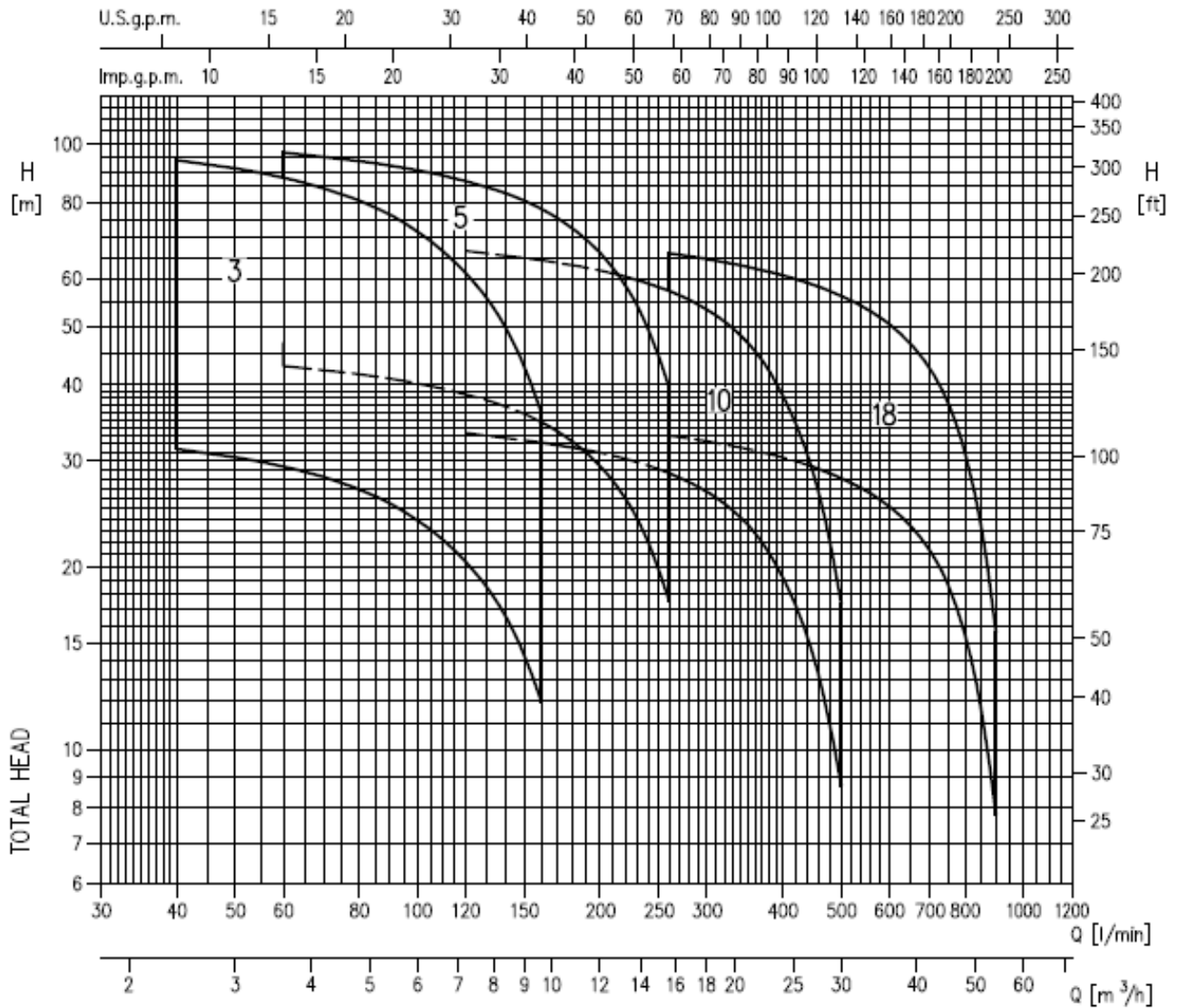
TECHNICAL PUMP DATA

PUMP					
MATRIX					
Operating range	Version	3	5	10	18
	Maximum working pressure	1 MPa (10 bar)			
	Liquid temperature range	-15°C to +85°C			
Liquid handled	Liquid type	Water, moderate aggressive solutions, glycol solutions, moderate viscous fluids			
Key components material	Casing	EN 1.4301 (AISI 304)			
	Impeller				
	Casing cover				
	Shaft seal	Ceramic/Carbon/EPDM			
	Shaft	EN 1.4301 (AISI 304) wet extension			
Bracket	EN AB-AISI11Cu2(Fe) (Die cast Aluminium)				
Pipe connection	Suction	G 1"	G 1" ¼	G 1" ½	G 2"
		UNI ISO 228			
	Discharge	G 1"	G 1" ¼	G 1" ½	
		UNI ISO 228			

TECHNICAL MOTOR DATA

MOTOR MATRIX			
Power source	Frequency	50 Hz	
	Phase	Single-phase Three-phase	
	Rotation speed	2850 min ⁻¹	
	Power rating	0.65 ÷ 2.2 kW	0.65 ÷ 4.0 kW
		0.9 ÷ 3.0 HP	0.9 ÷ 5.5 HP
Voltage	230 ± 10% V	230/400 ± 10%	
Type	Type	Electric - TEFC	
	Efficiency level	- 0.65 kW IE3 from 0.75 kW up to 4.0 kW	
	N° of poles	2	
	Protection degree	IP 55	
	Insulation class	F	
Others	Capacitor	Built in -	
	Overload protection	Built in Provided by the user	
	Casing Material	Aluminium	
	Motor support	Aluminium	

PERFORMANCE RANGE RESEAU BOOSTER SET 2GP(E) MATRIX



50Hz

PERFORMANCE RANGE

GP-GPE

3

PERFORMANCE RANGE

INTENTIONALLY EMPTY PAGE

402

EBARA Pumps Europe

EBARA Pumps Europe reserves the right to make changes without prior notice



CURVE SPECIFICATION 2GP(E)

The specifications below qualify the curves shown on the following pages.

Tolerances according to ISO 9906 Annex A

The curves refer to effective speed of asynchronous motors at 50 Hz

Measurements were carried out with clean water at 20°C of temperature and with a kinematic viscosity of $\nu = 1 \text{ mm}^2/\text{s}$ (1 cSt)

The NPSH curve is an average curve obtained in the same conditions of performance curves.

The continuous curves indicate the recommended working range. The dotted curve is only a guide.

In order to avoid the risk of over-heating, the pumps should not be used at a flow rate below 10% of best efficiency point.

Symbols explanation:

Q = volume flow rate

H = total head

P2 = pump power input (shaft power)

η = pump efficiency

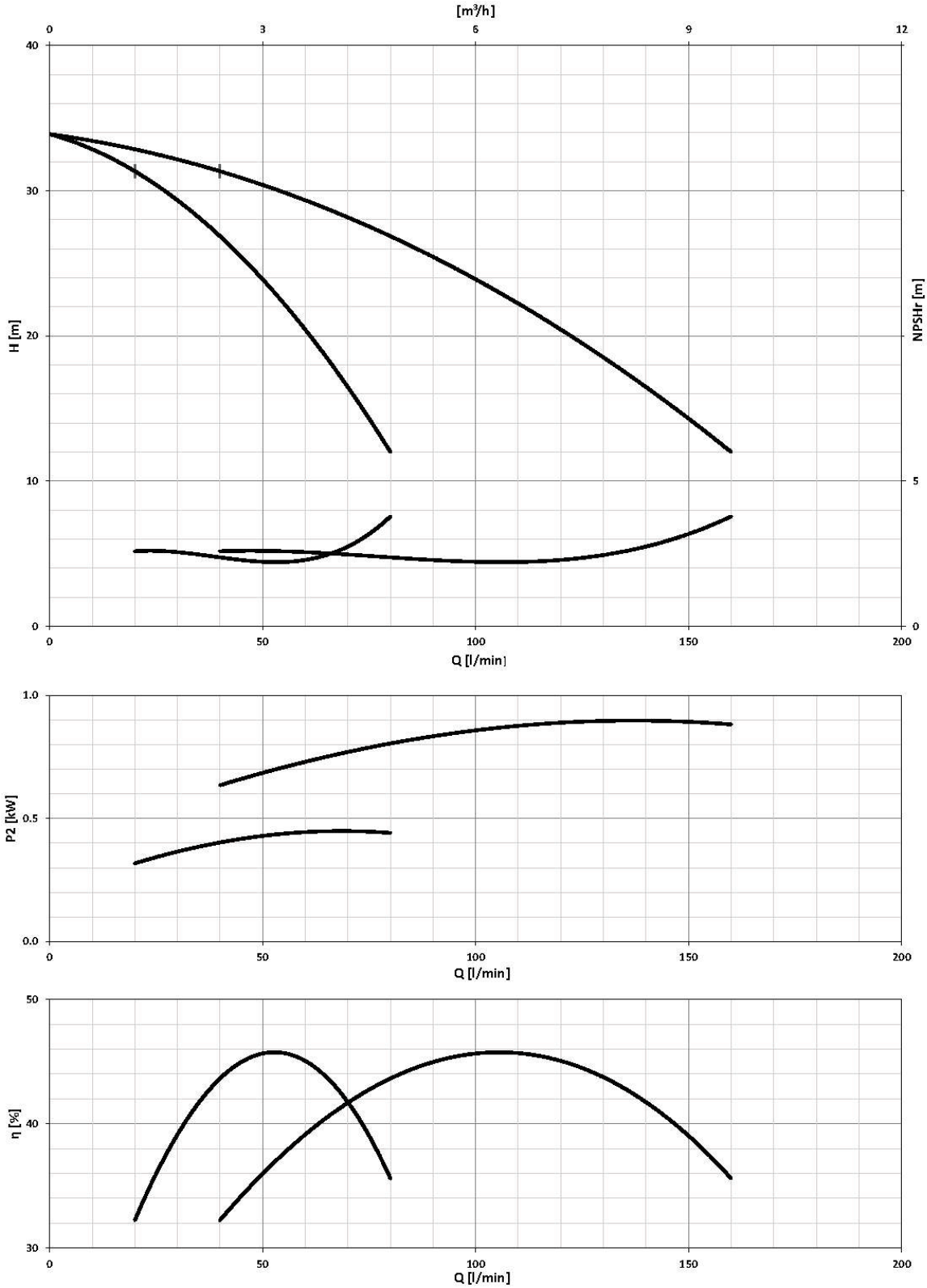
NPSH = net positive suction head required by the pump

SELECTION CHART 2GP(E) MATRIX

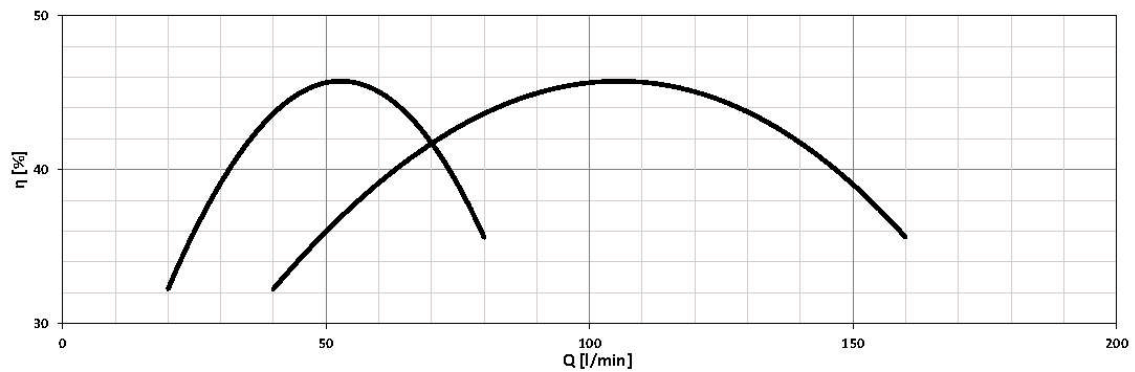
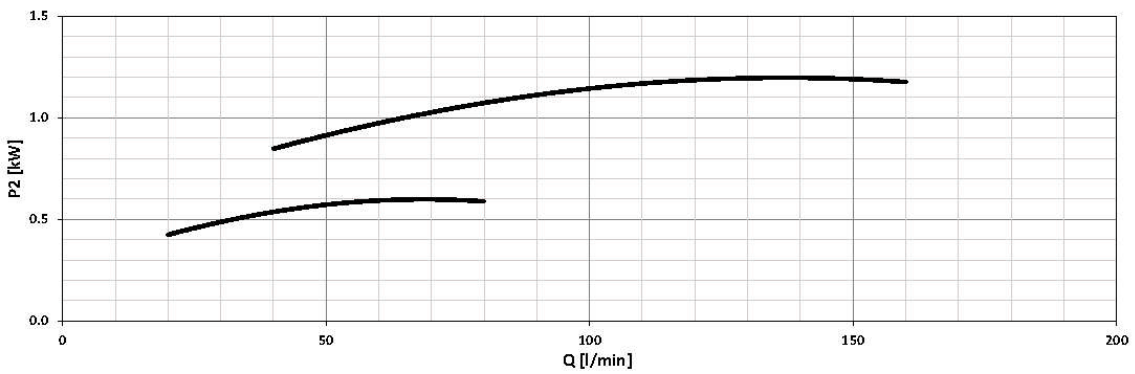
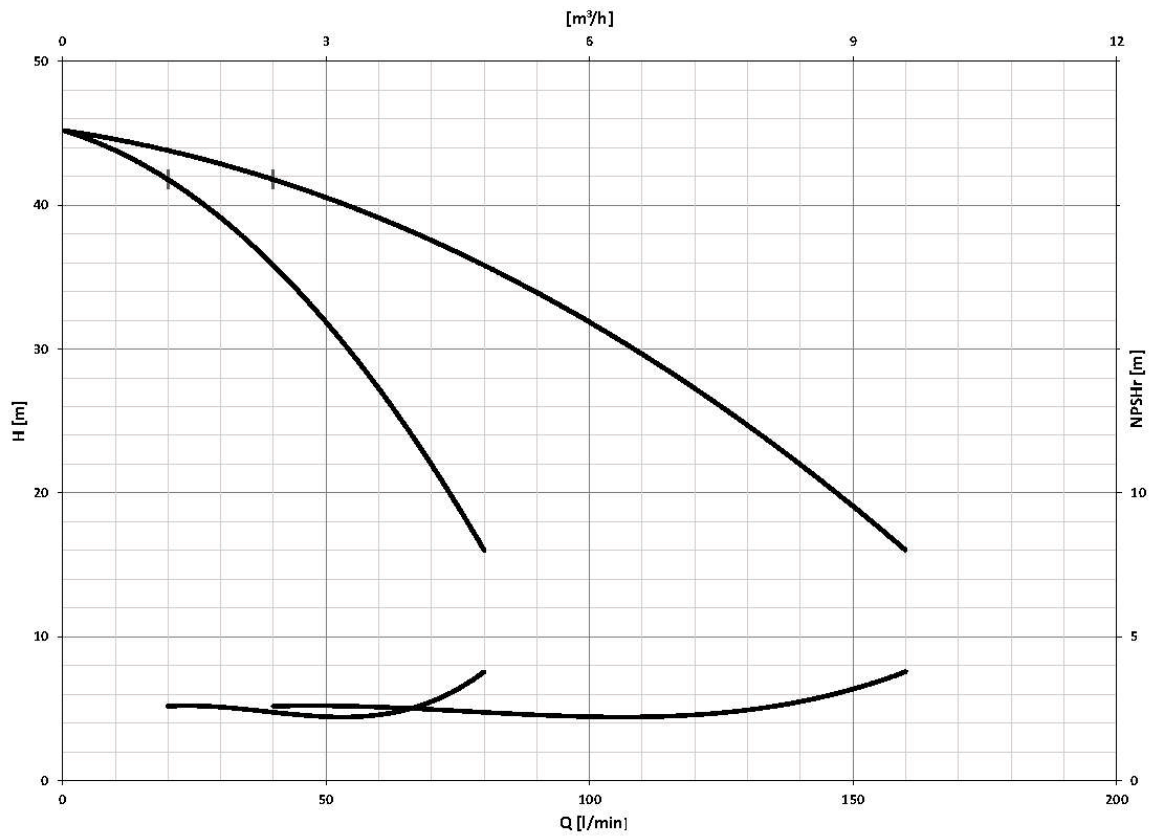
Model	Supply		Motor		Maximum working pressure (MPa)	Q=Capacity																							
	Single phase	Three phase	kW	HP		H=Total manometric head in meters																							
						0	40	60	90	120	160	200	260	320	400	500	600	700	800	900									
2GP(E) MATRIX 3-3/0.65 (M)	●	●	0.65+0.65	0.9+0.9	1.0	33.9	31.4	29.3	25.5	20.4	12.0	-	-	-	-	-	-	-	-	-	-	-	-	-	-	-	-	-	
2GP(E) MATRIX 3-4/0.65 (M)	●	●	0.65+0.65	0.9+0.9		45.0	42.0	39.1	34.0	27.2	16.0	-	-	-	-	-	-	-	-	-	-	-	-	-	-	-	-	-	-
2GP(E) MATRIX 3-5/0.75 (M)	●	●	0.75+0.75	1.0+1.0		56.5	52.5	49.0	42.5	34.0	20.0	-	-	-	-	-	-	-	-	-	-	-	-	-	-	-	-	-	-
2GP(E) MATRIX 3-6/0.9 (M)	●	●	0.9+0.9	1.2+1.2		68.0	62.5	58.5	51.0	41.0	24.0	-	-	-	-	-	-	-	-	-	-	-	-	-	-	-	-	-	-
2GP(E) MATRIX 3-7/1.3 (M)	●	●	1.3+1.3	1.8+1.8		79.0	73.0	68.5	59.5	47.5	28.0	-	-	-	-	-	-	-	-	-	-	-	-	-	-	-	-	-	-
2GP(E) MATRIX 3-8/1.3 (M)	●	●	1.3+1.3	1.8+1.8		90.5	83.5	78.0	68.0	54.5	32.0	-	-	-	-	-	-	-	-	-	-	-	-	-	-	-	-	-	-
2GP(E) MATRIX 3-9/1.5 (M)	●	●	1.5+1.5	2+2		102.0	94.0	88.0	76.5	61.0	36.0	-	-	-	-	-	-	-	-	-	-	-	-	-	-	-	-	-	-
2GP(E) MATRIX 5-3/0.65 (M)	●	●	0.65+0.65	0.9+0.9		34.5	-	32.3	30.7	29.0	26.0	22.0	13.2	-	-	-	-	-	-	-	-	-	-	-	-	-	-	-	-
2GP(E) MATRIX 5-4/0.9 (M)	●	●	0.9+0.9	1.2+1.2		46.0	-	43.0	41.0	38.6	34.7	29.4	17.6	-	-	-	-	-	-	-	-	-	-	-	-	-	-	-	-
2GP(E) MATRIX 5-5/1.3 (M)	●	●	1.3+1.3	1.8+1.8		57.5	-	54.0	51.0	48.5	43.5	36.7	22.0	-	-	-	-	-	-	-	-	-	-	-	-	-	-	-	-
2GP(E) MATRIX 5-6/1.3 (M)	●	●	1.3+1.3	1.8+1.8		69.0	-	64.5	61.5	58.0	52.0	44.0	26.4	-	-	-	-	-	-	-	-	-	-	-	-	-	-	-	-
2GP(E) MATRIX 5-7/1.5 (M)	●	●	1.5+1.5	2+2		80.5	-	75.5	72.0	67.5	61.0	51.5	30.8	-	-	-	-	-	-	-	-	-	-	-	-	-	-	-	-
2GP(E) MATRIX 5-8/1.2 (M)	●	●	2.2+2.2	3+3		92.0	-	86.0	82.0	77.0	69.5	58.5	35.2	-	-	-	-	-	-	-	-	-	-	-	-	-	-	-	-
2GP(E) MATRIX 5-9/2.2 (M)	●	●	2.2+2.2	3+3		104.0	-	97.0	92.0	87.0	78.0	66.0	39.6	-	-	-	-	-	-	-	-	-	-	-	-	-	-	-	-
2GP(E) MATRIX 10-3/1.3 (M)	●	●	1.3+1.3	1.8+1.8		36.0	-	-	-	33.3	32.1	30.9	28.6	25.5	19.3	8.7	-	-	-	-	-	-	-	-	-	-	-	-	-
2GP(E) MATRIX 10-4/1.5 (M)	●	●	1.5+1.5	2.0+2.0		48.0	-	-	-	44.5	43.0	41.0	38.1	34.0	25.7	11.6	-	-	-	-	-	-	-	-	-	-	-	-	-
2GP(E) MATRIX 10-5/2.2 (M)	●	●	2.2+2.2	3.0+3.0	60.0	-	-	-	55.5	53.5	51.5	47.5	42.5	32.1	14.5	-	-	-	-	-	-	-	-	-	-	-	-	-	
2GP(E) MATRIX 10-6/2.2 (M)	●	●	2.2+2.2	3.0+3.0	72.0	-	-	-	66.5	64.5	62.0	57.0	51.0	38.5	17.4	-	-	-	-	-	-	-	-	-	-	-	-	-	
2GP(E) MATRIX 18-3/2.2 (M)	●	●	2.2+2.2	3.0+3.0	36.3	-	-	-	-	-	-	33.0	31.9	30.4	28.1	25.2	21.3	15.5	7.8	-	-	-	-	-	-	-	-	-	-
2GP(E) MATRIX 18-4/3	-	●	3.0+3.0	4.0+4.0	48.5	-	-	-	-	-	-	44.0	42.5	40.5	37.4	33.6	28.4	20.6	10.4	-	-	-	-	-	-	-	-	-	
2GP(E) MATRIX 18-5/1/4	-	●	4+4	5.5+5.5	60.5	-	-	-	-	-	-	55.0	53.0	50.5	47.0	42.0	35.5	25.8	13.0	-	-	-	-	-	-	-	-	-	
2GP(E) MATRIX 18-6/4	-	●	4+4	5.5+5.5	72.5	-	-	-	-	-	-	66.0	64.0	60.5	56.0	50.5	42.5	30.9	15.6	-	-	-	-	-	-	-	-	-	

● : Standard ○ : On request

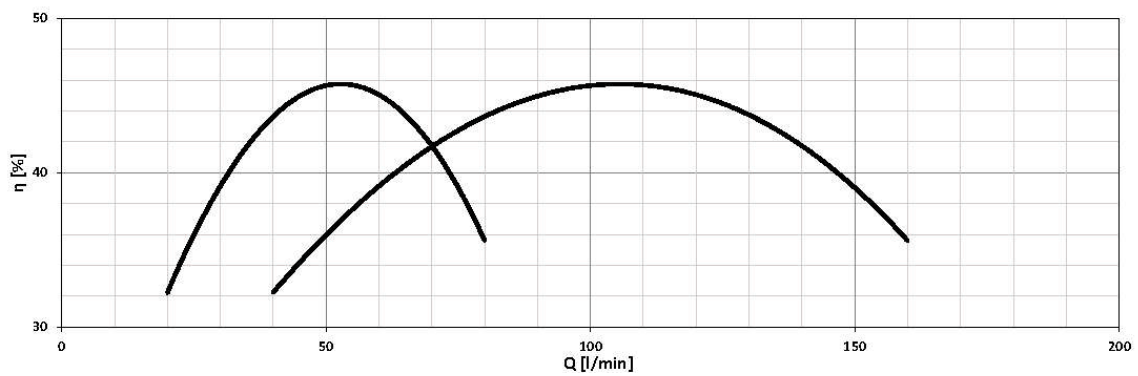
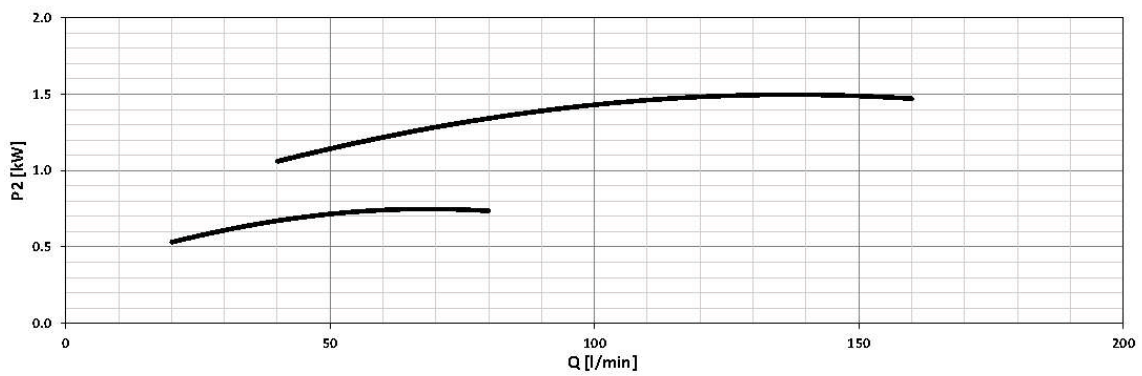
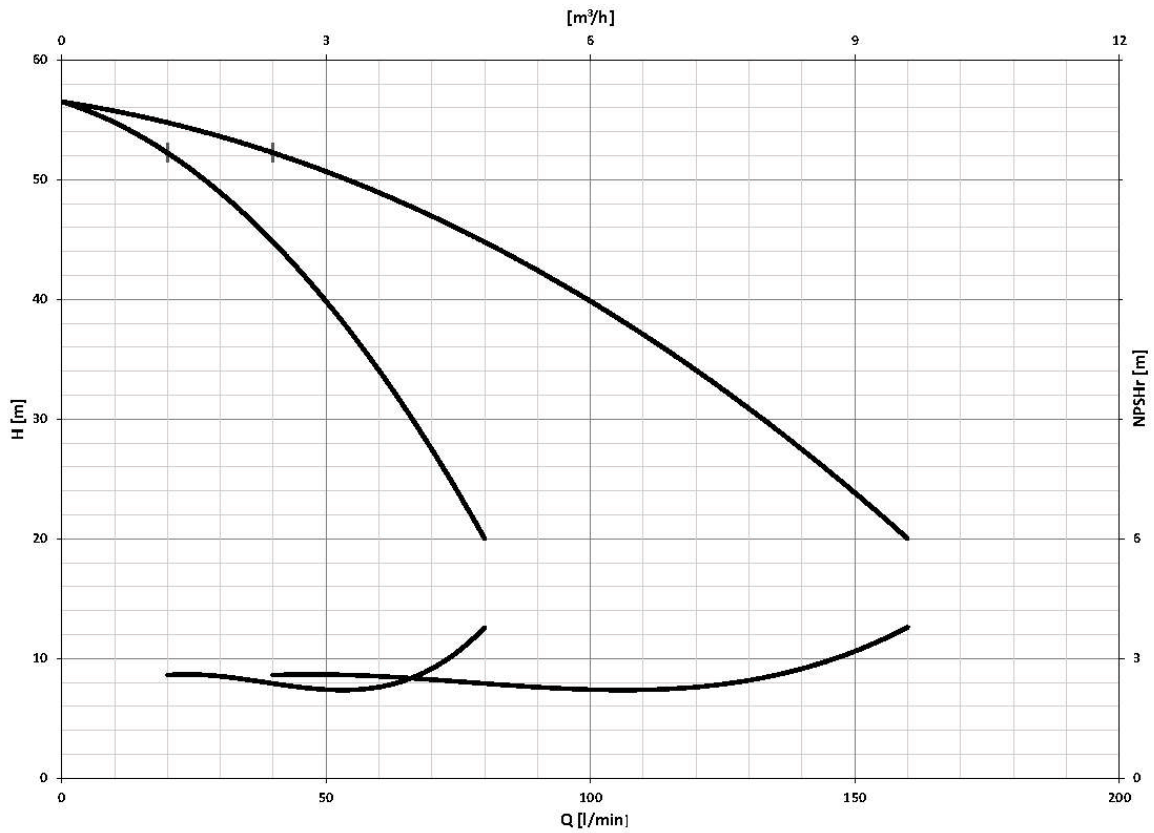
PERFORMANCE CURVE 2GP(E) 2GP(E) MATRIX 3-3T/0.65(M)



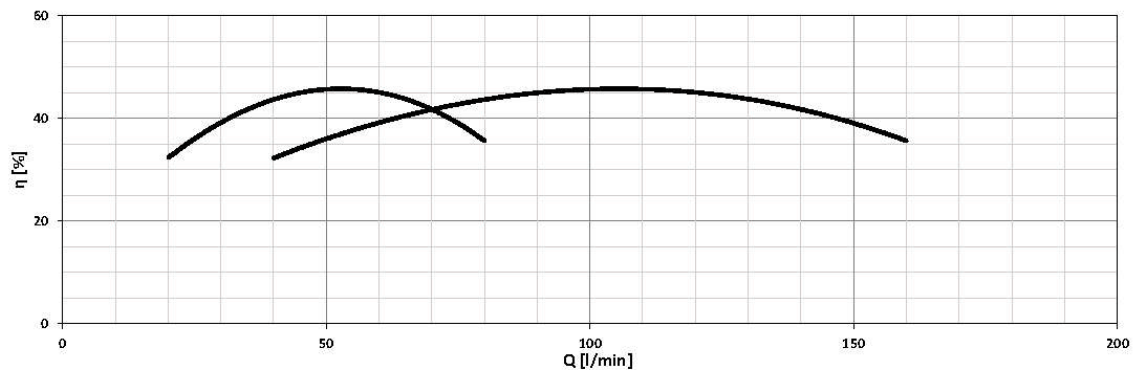
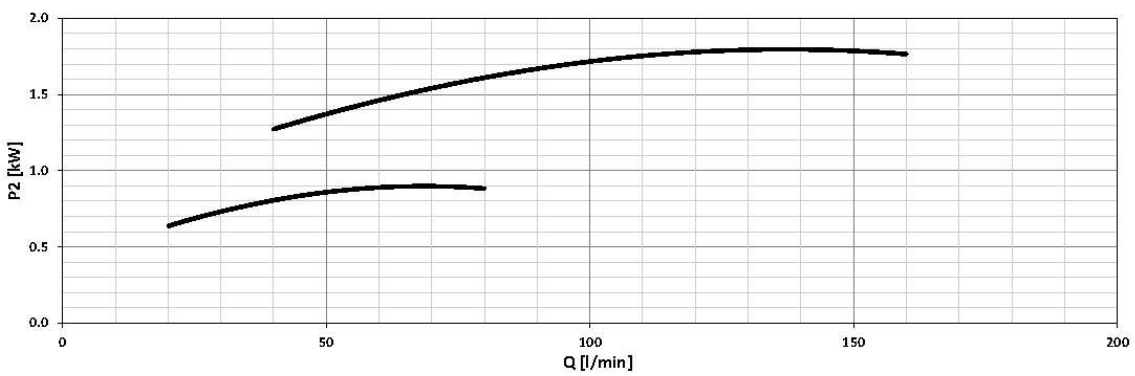
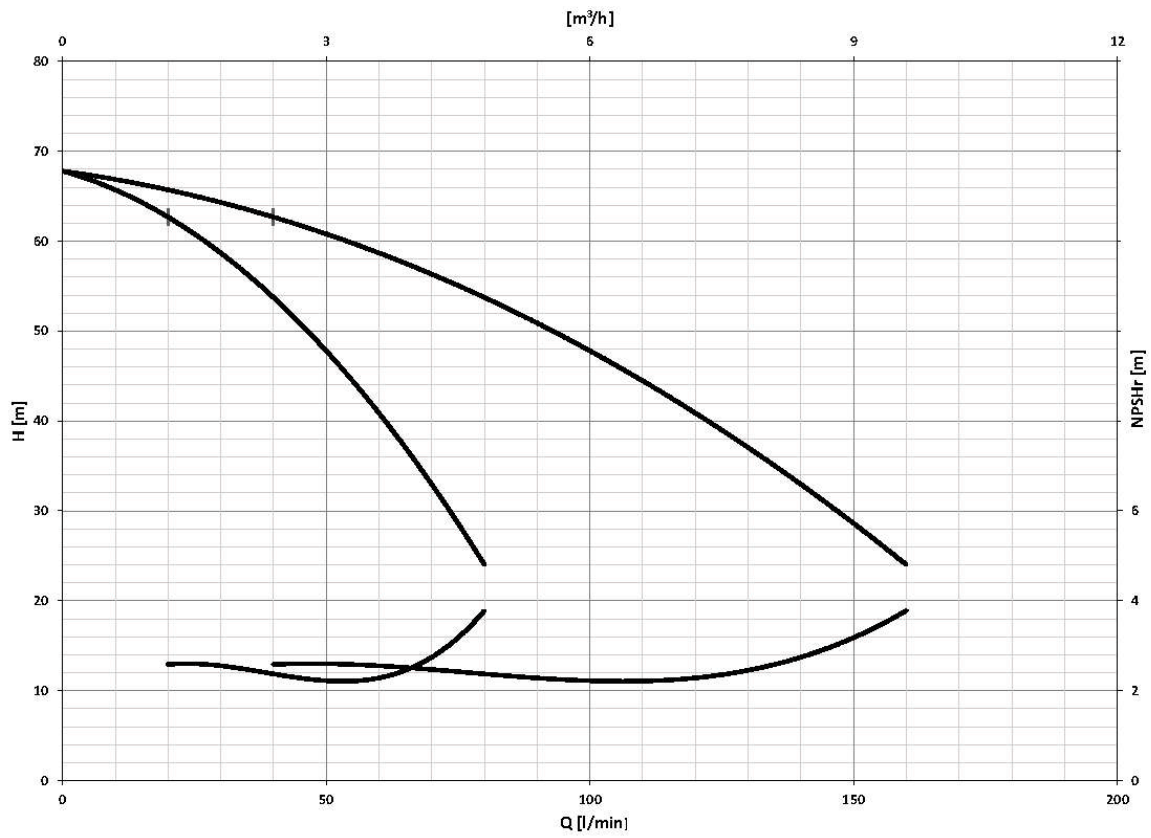
2GP(E) MATRIX 3-4T/0.65(M)



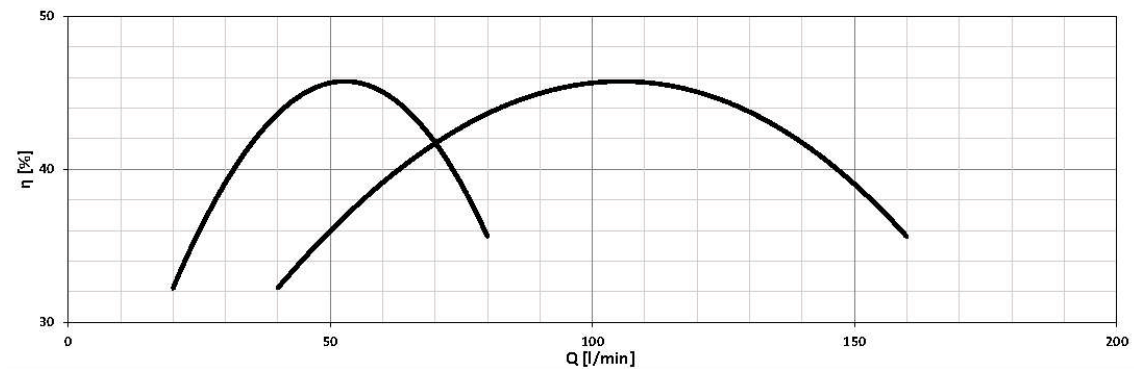
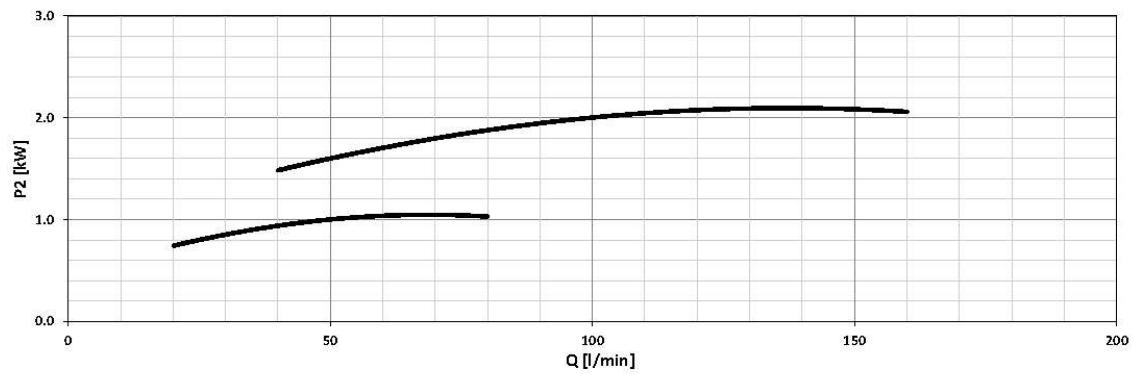
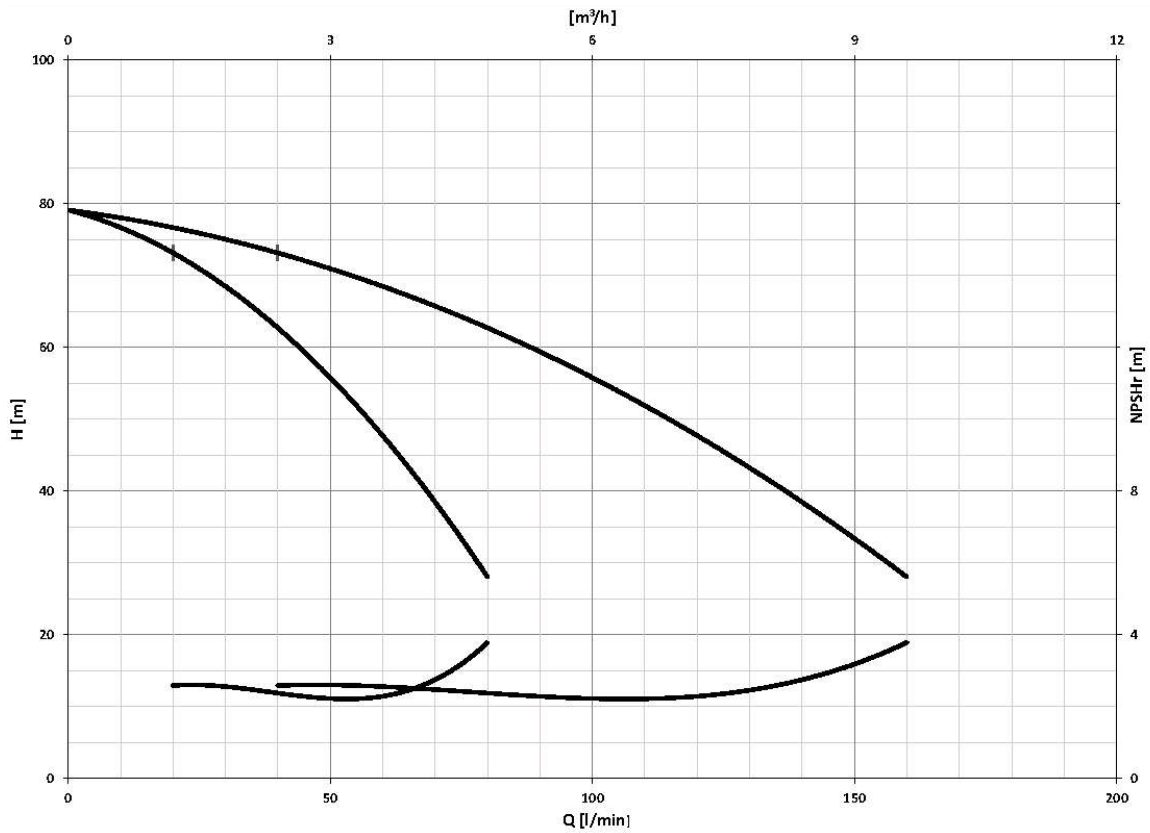
2GP(E) MATRIX 3-5T/0.75(M)



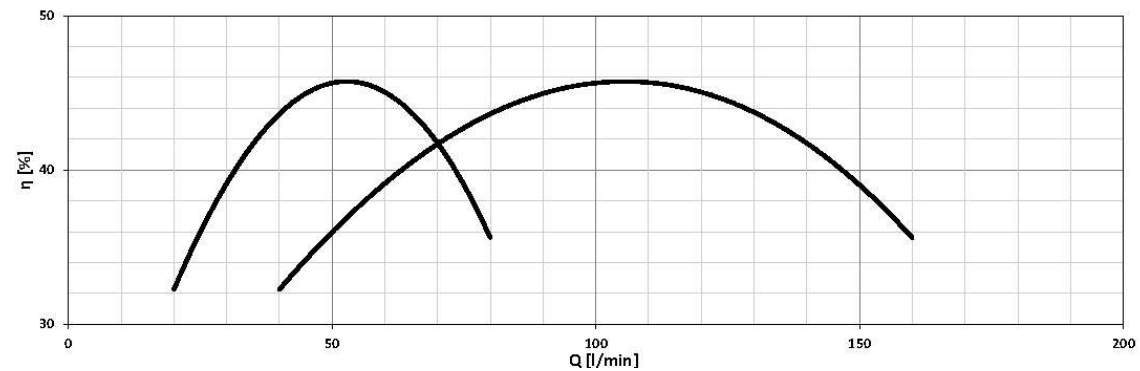
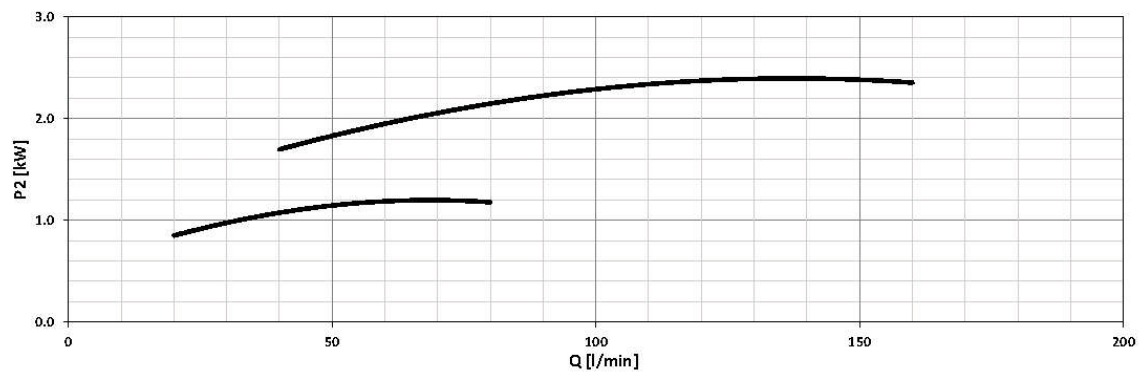
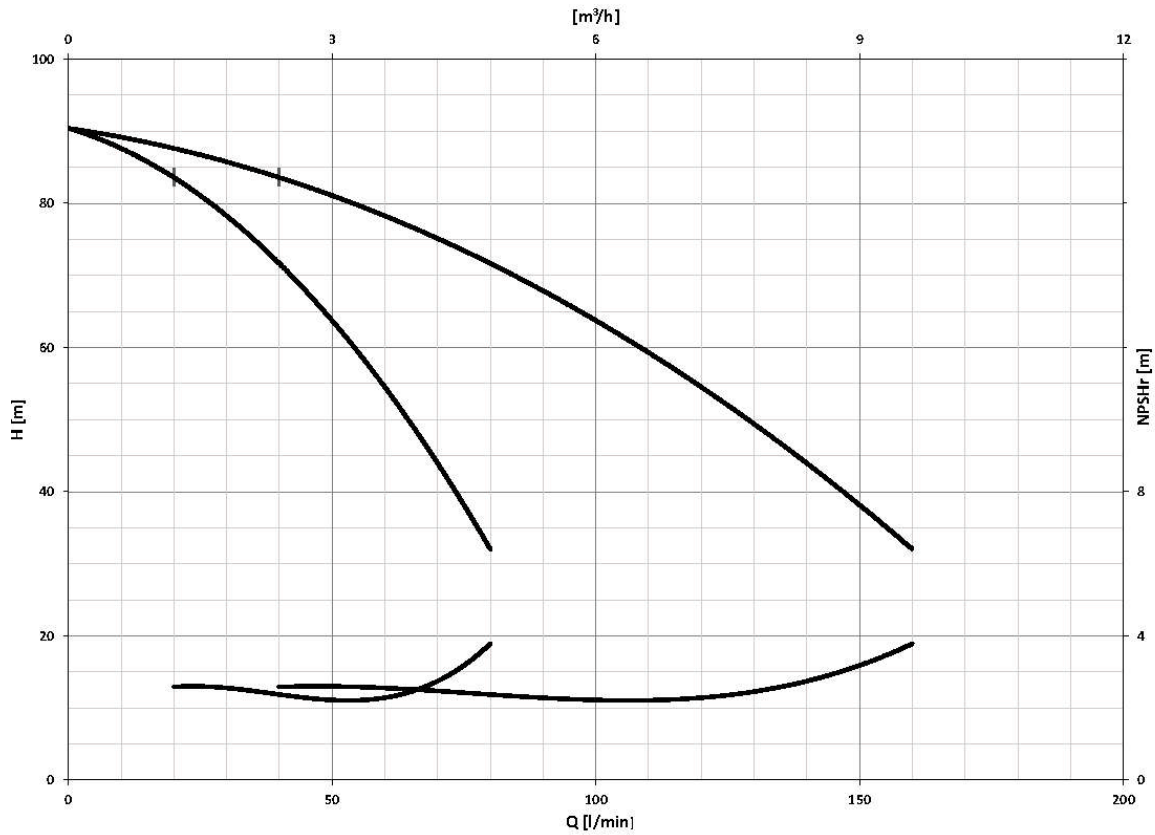
2GP(E) MATRIX 3-6T/0.9(M)



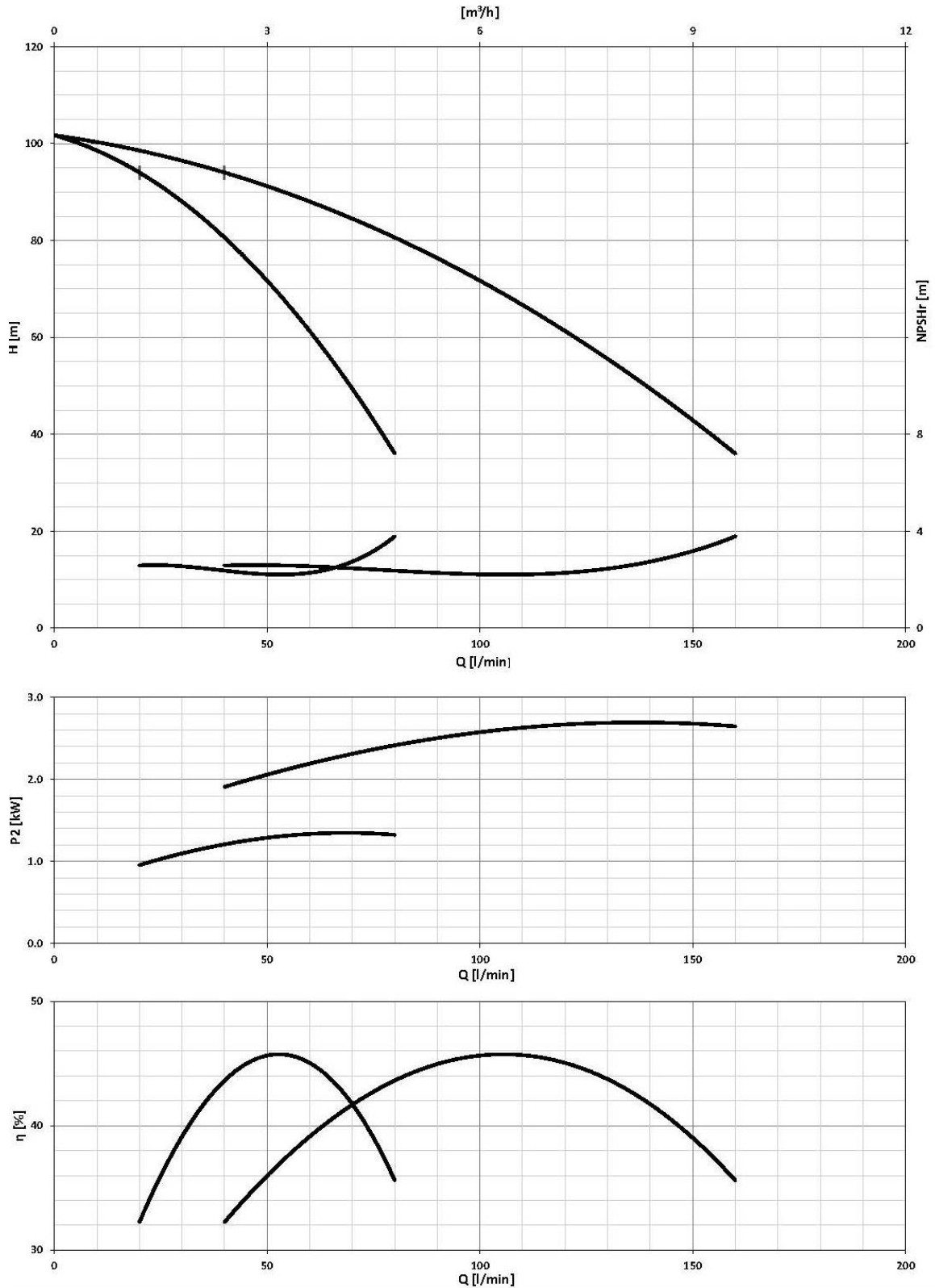
2GP(E) MATRIX 3-7T/1.3(M)



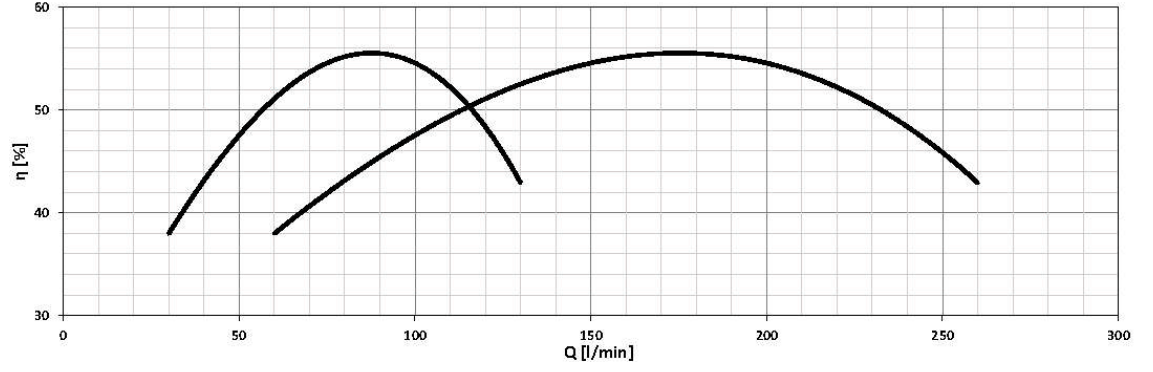
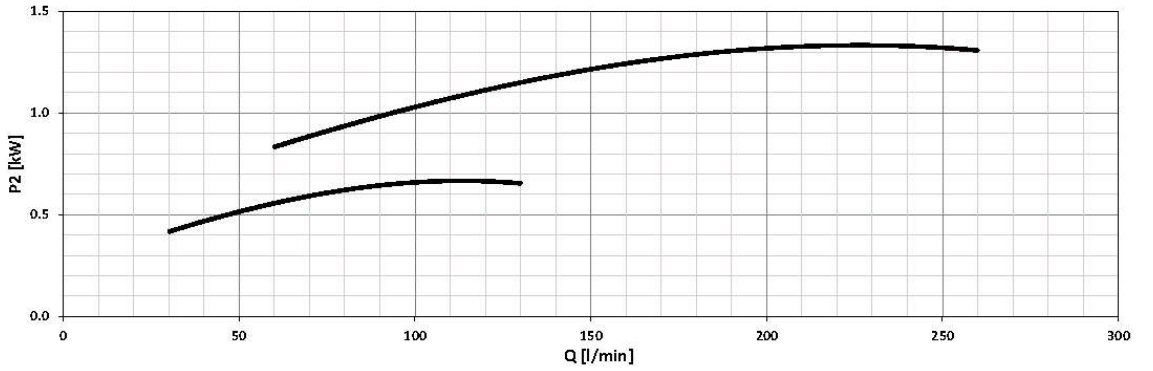
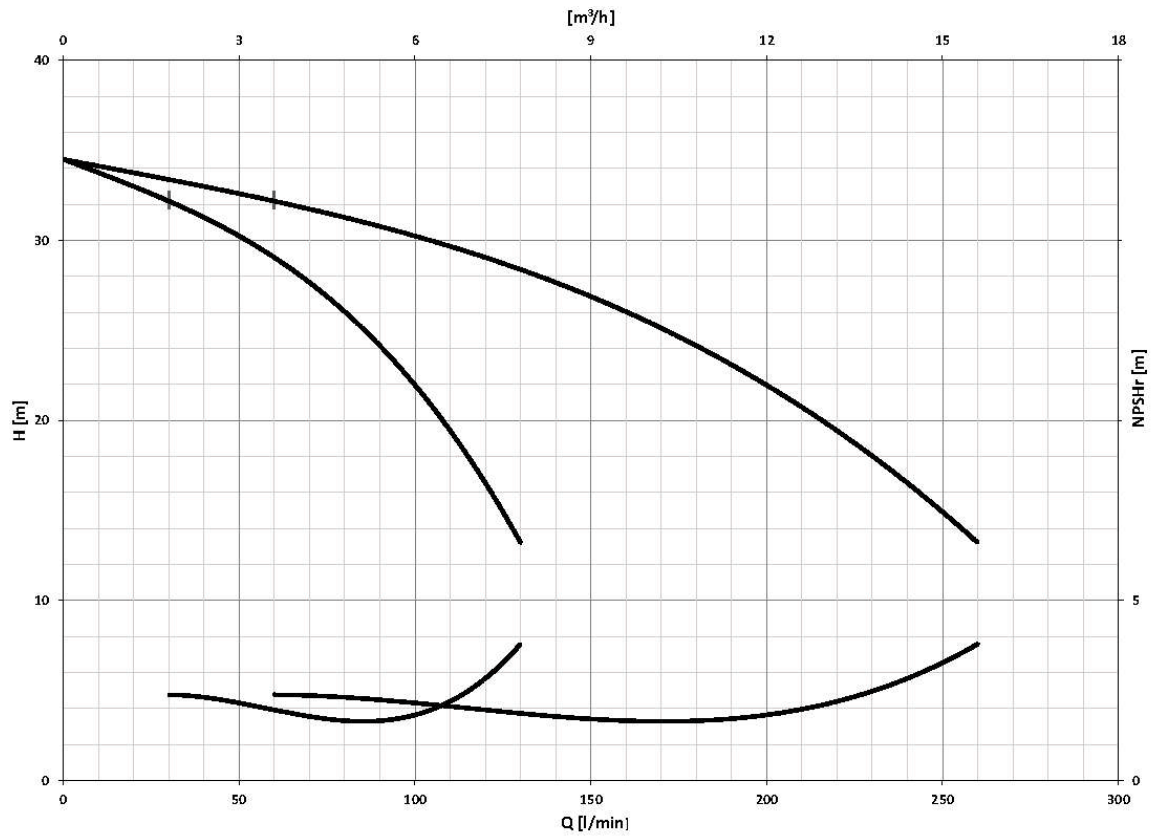
2GP(E) MATRIX 3-8T/1.3(M)



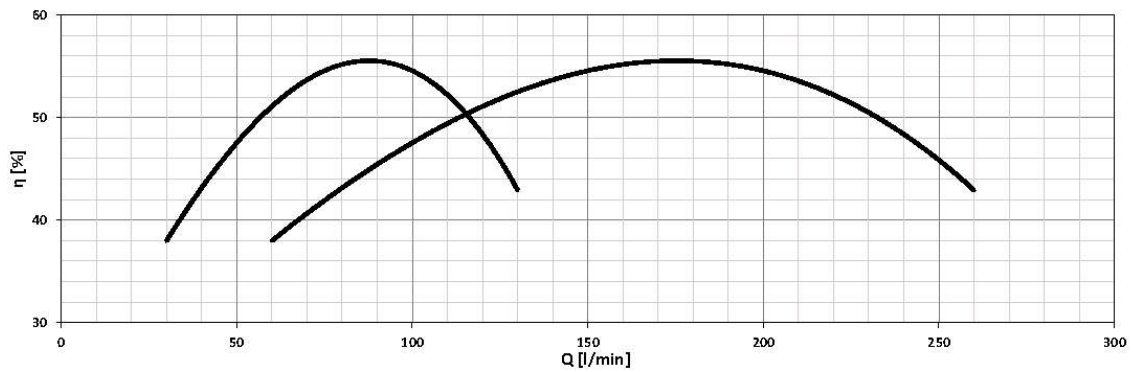
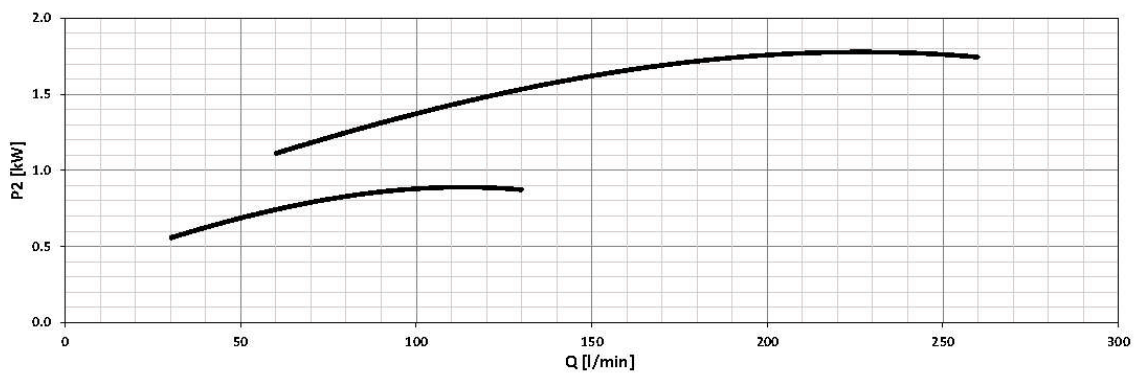
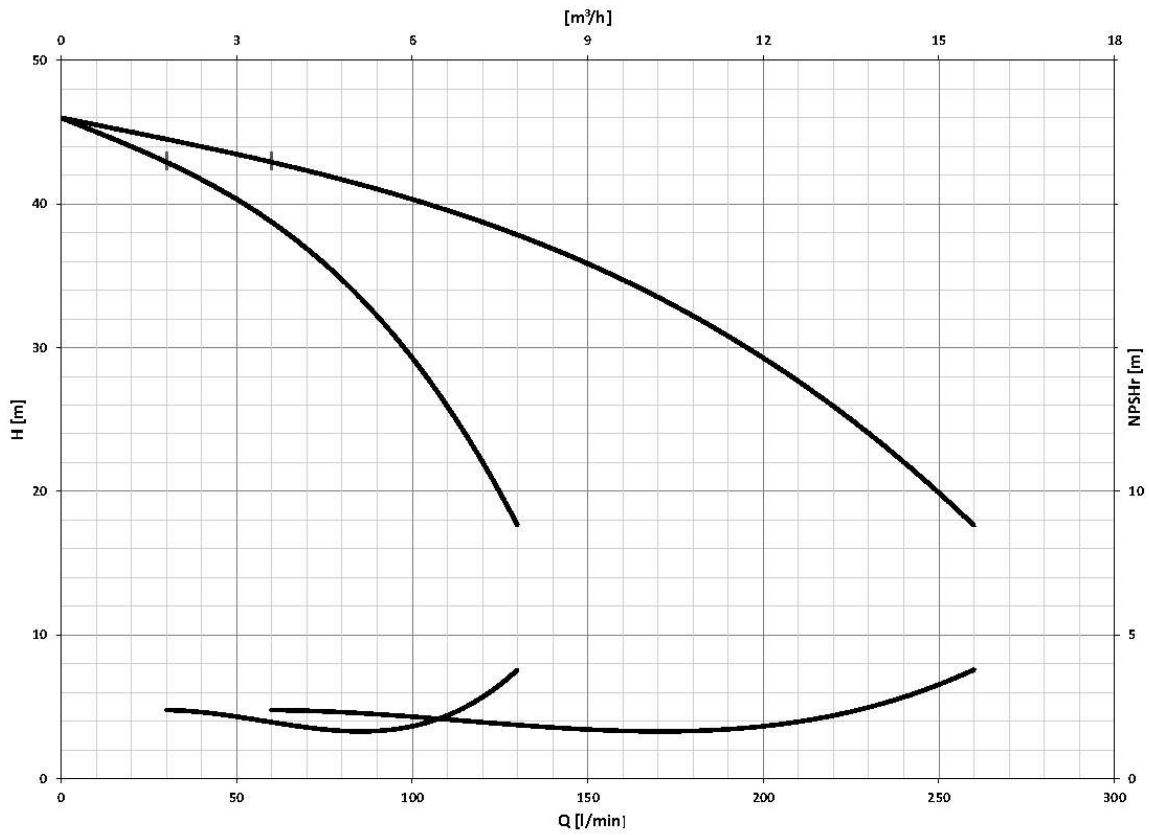
2GP(E) MATRIX 3-9T/1.5(M)



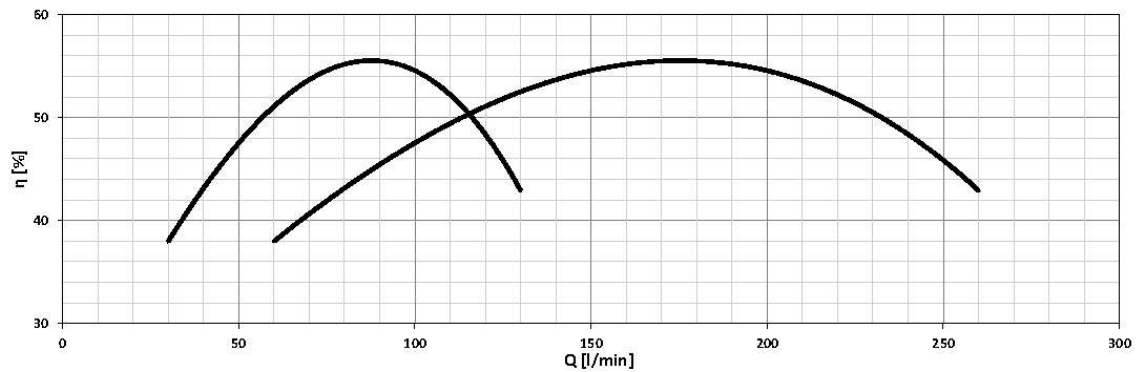
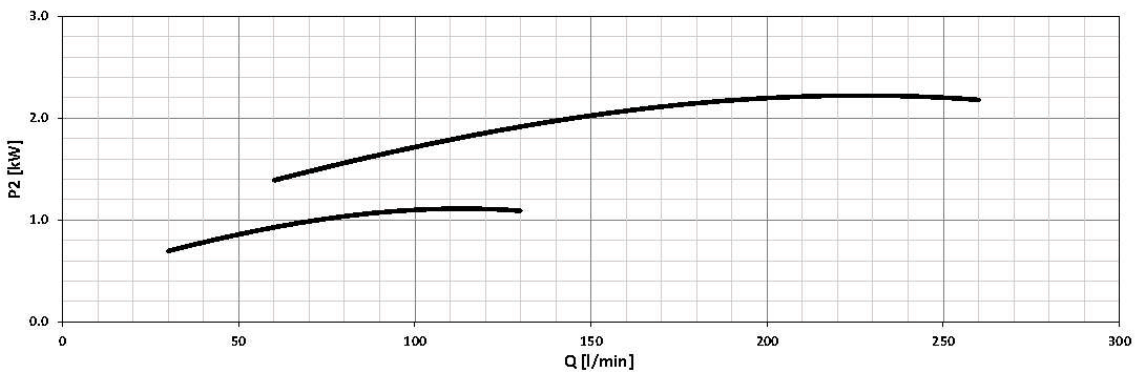
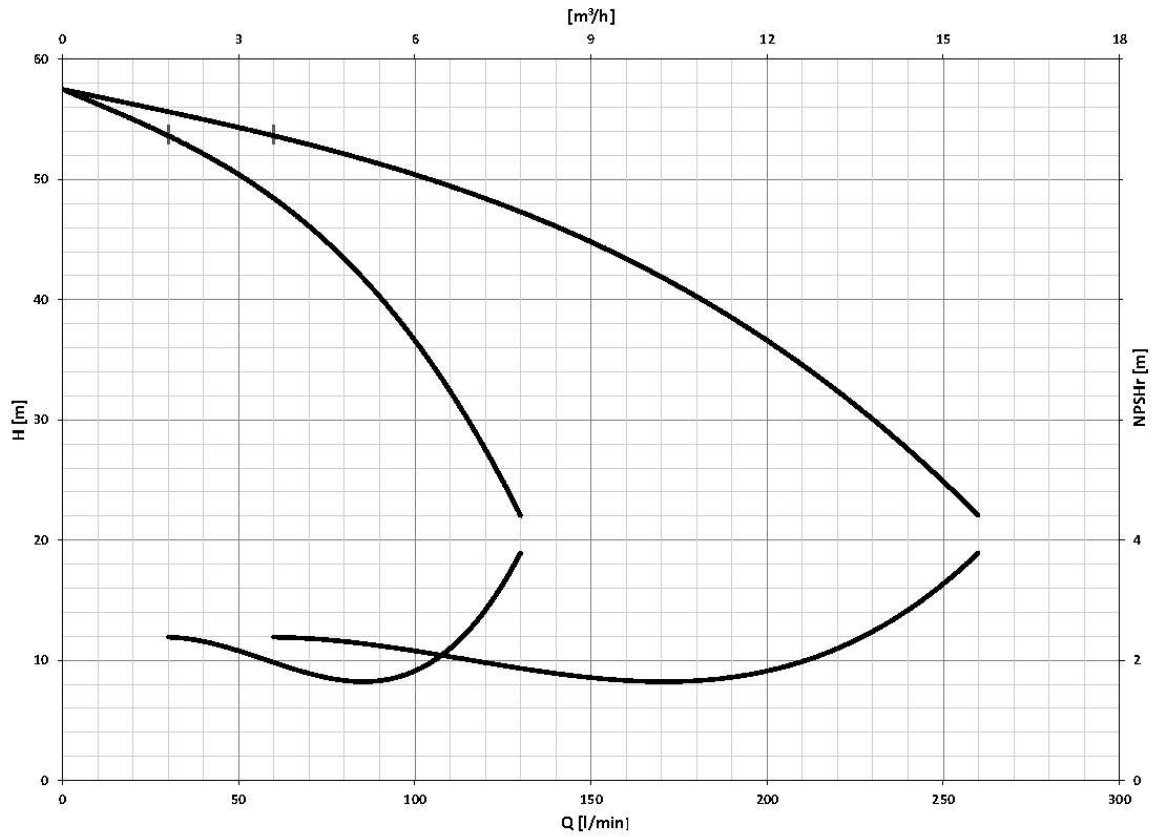
2GP(E) MATRIX 5-3T/0.65(M)



2GP(E) MATRIX 5-4T/0.9(M)



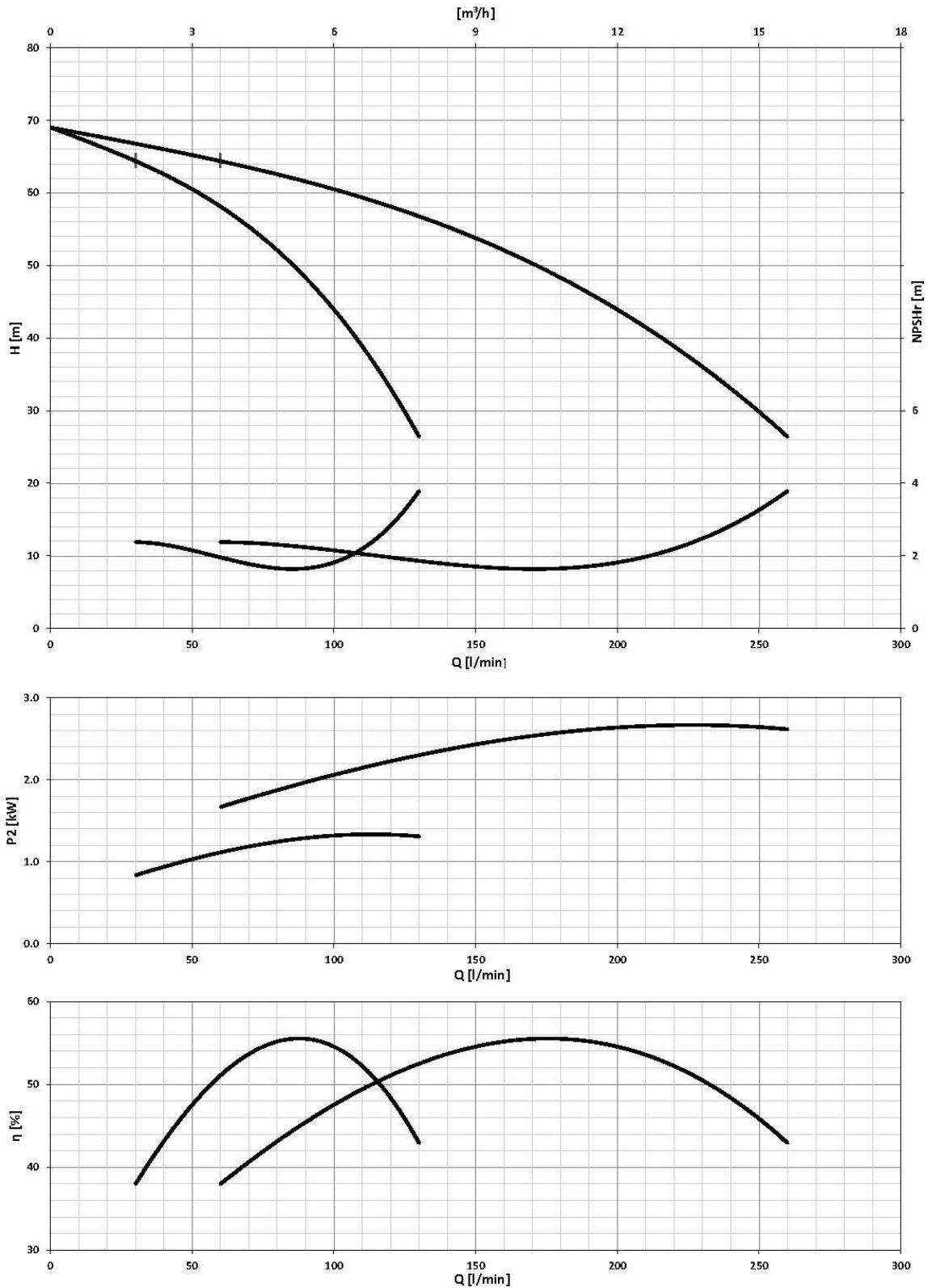
2GP(E) MATRIX 5-5T/1.3(M)



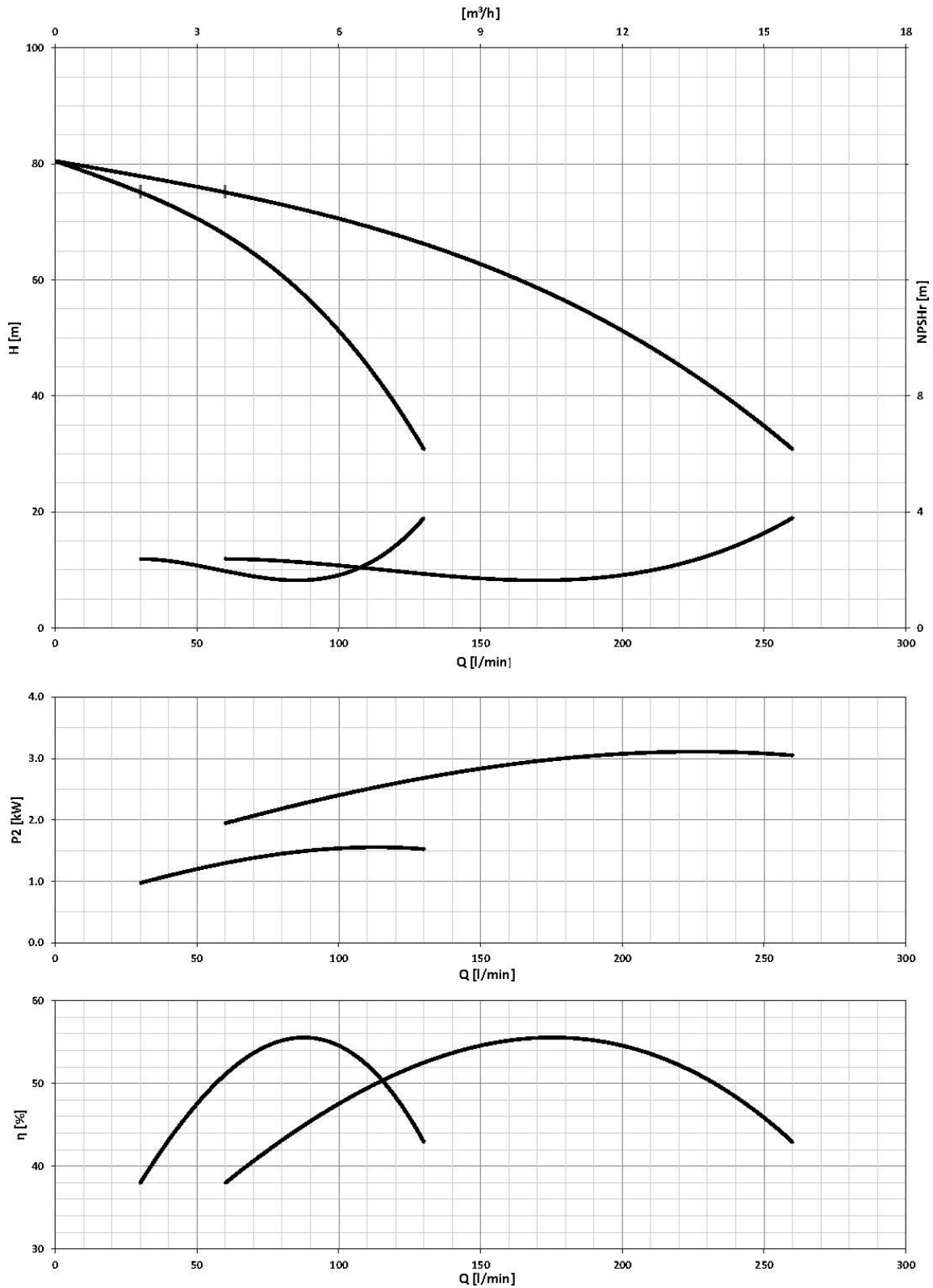
2GP(E) MATRIX 5-6T/1.3(M)

5

PERFORMANCE CURVE



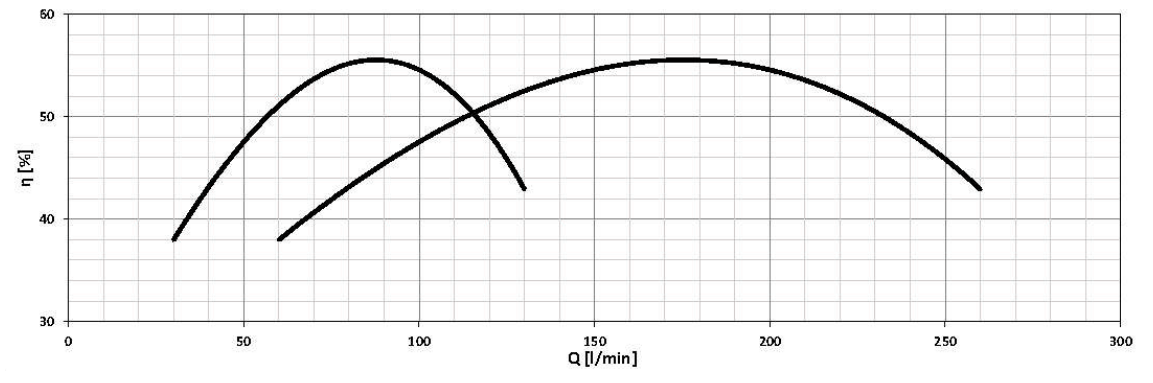
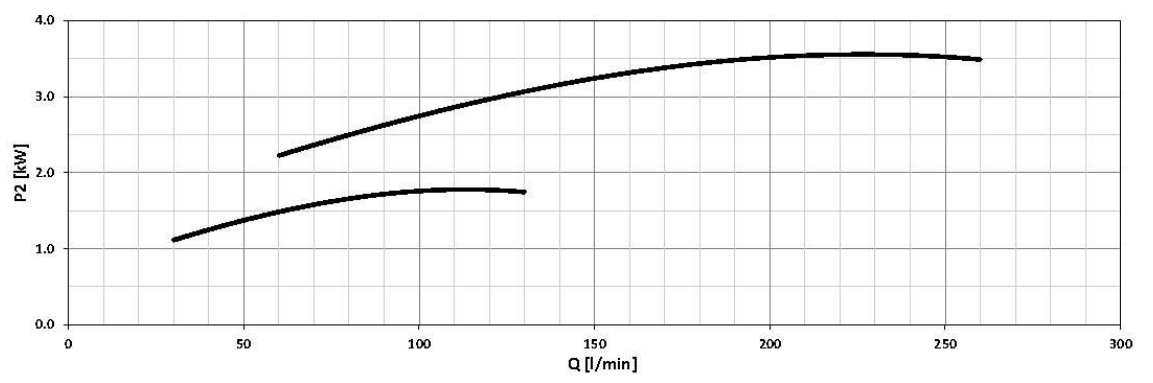
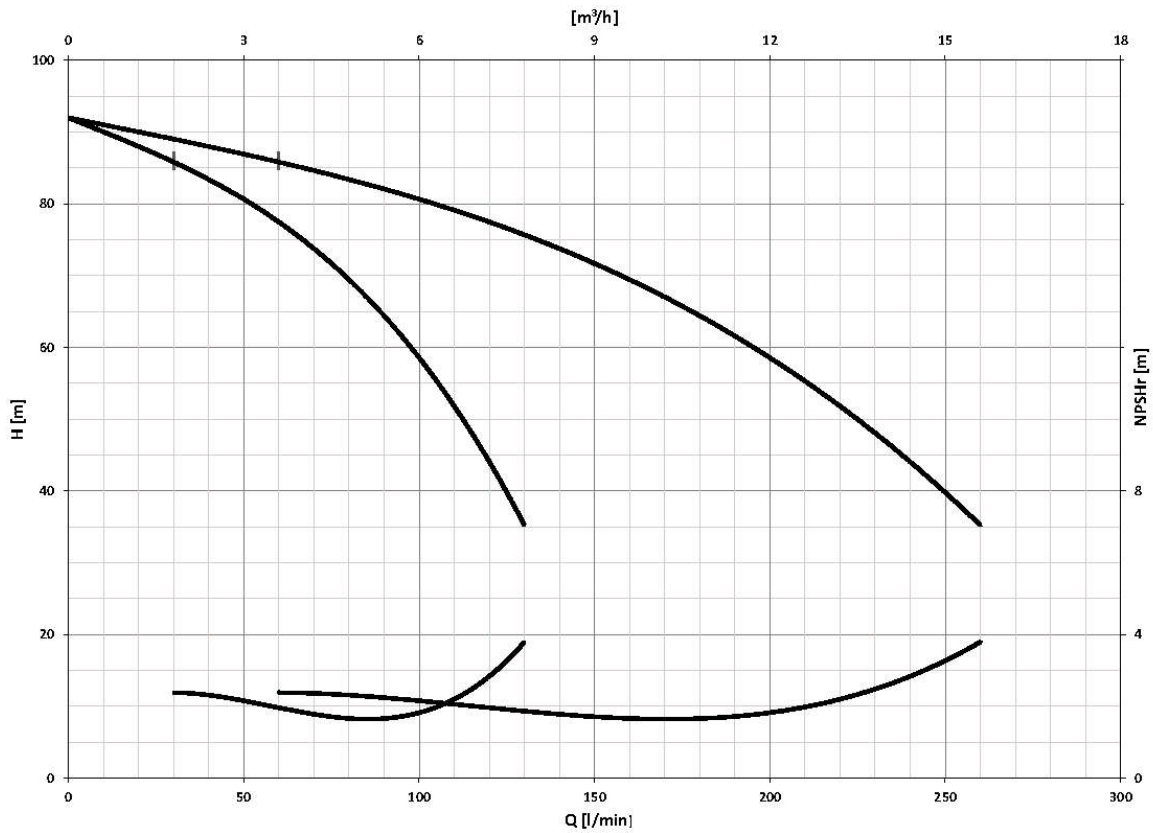
2GP(E) MATRIX 5-7T/1.5(M)



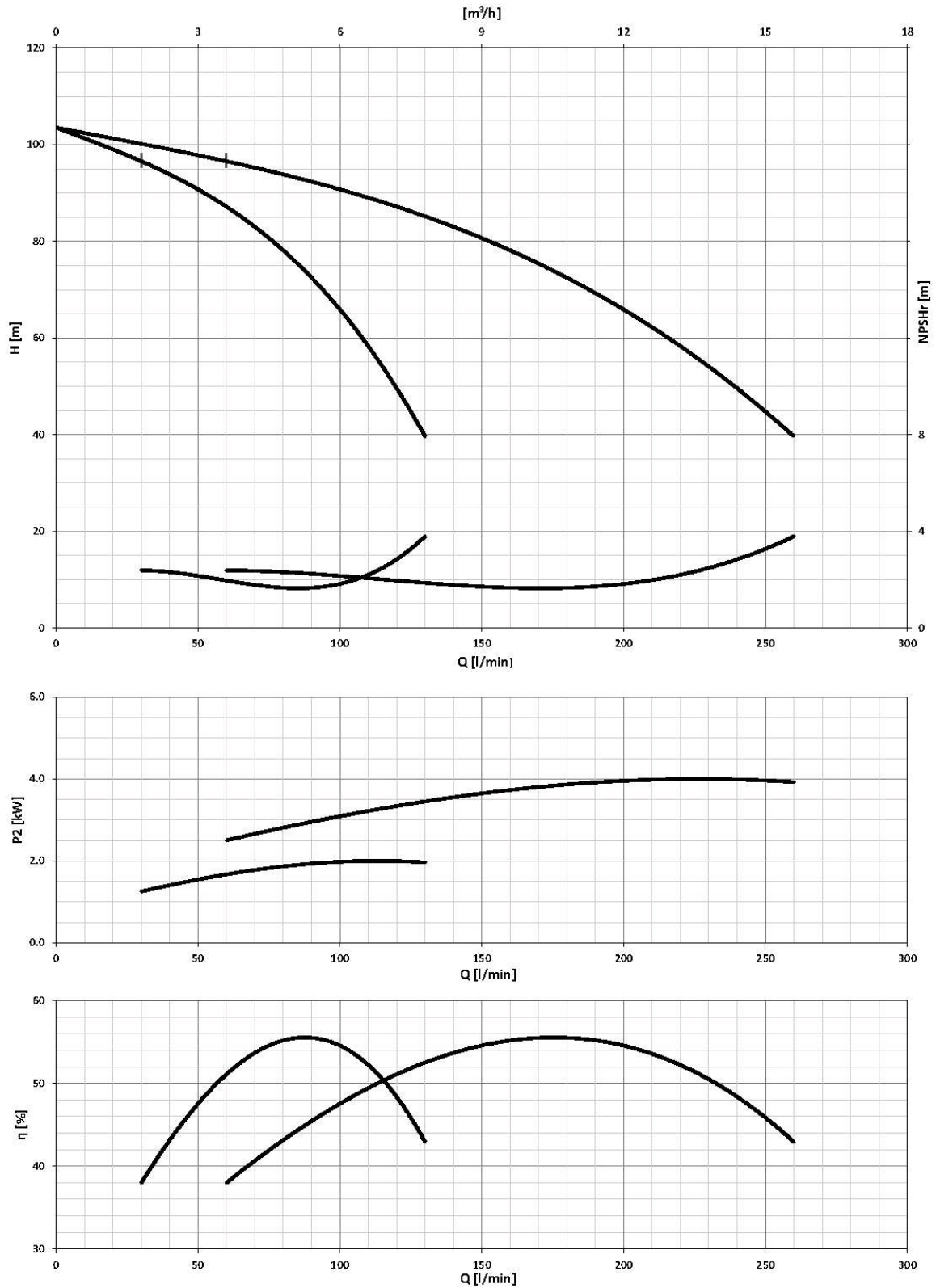
2GP(E) MATRIX 5-8T/2.2(M)

5

PERFORMANCE CURVE



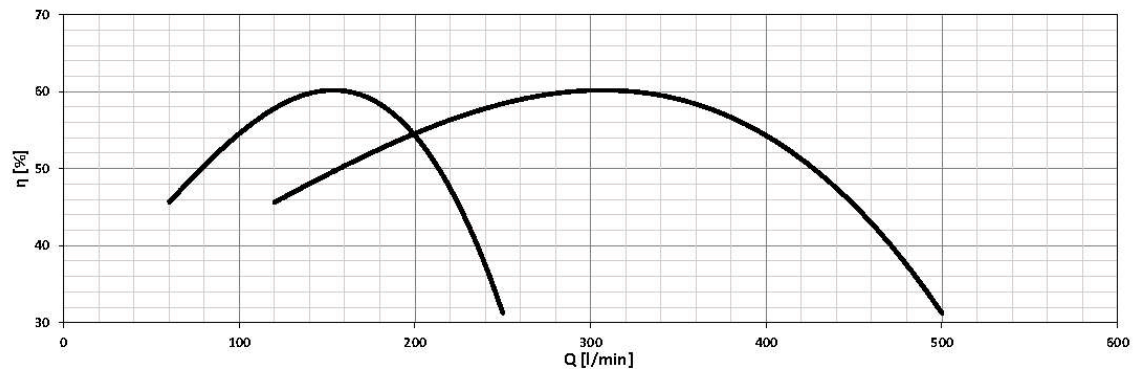
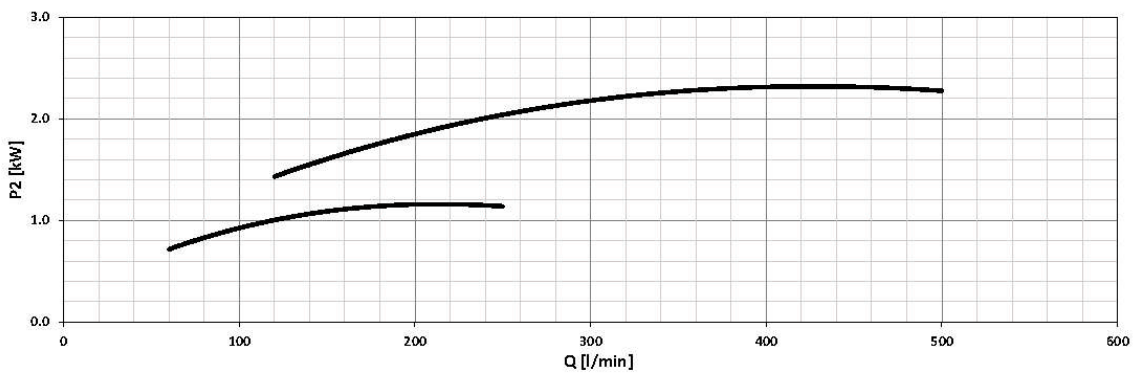
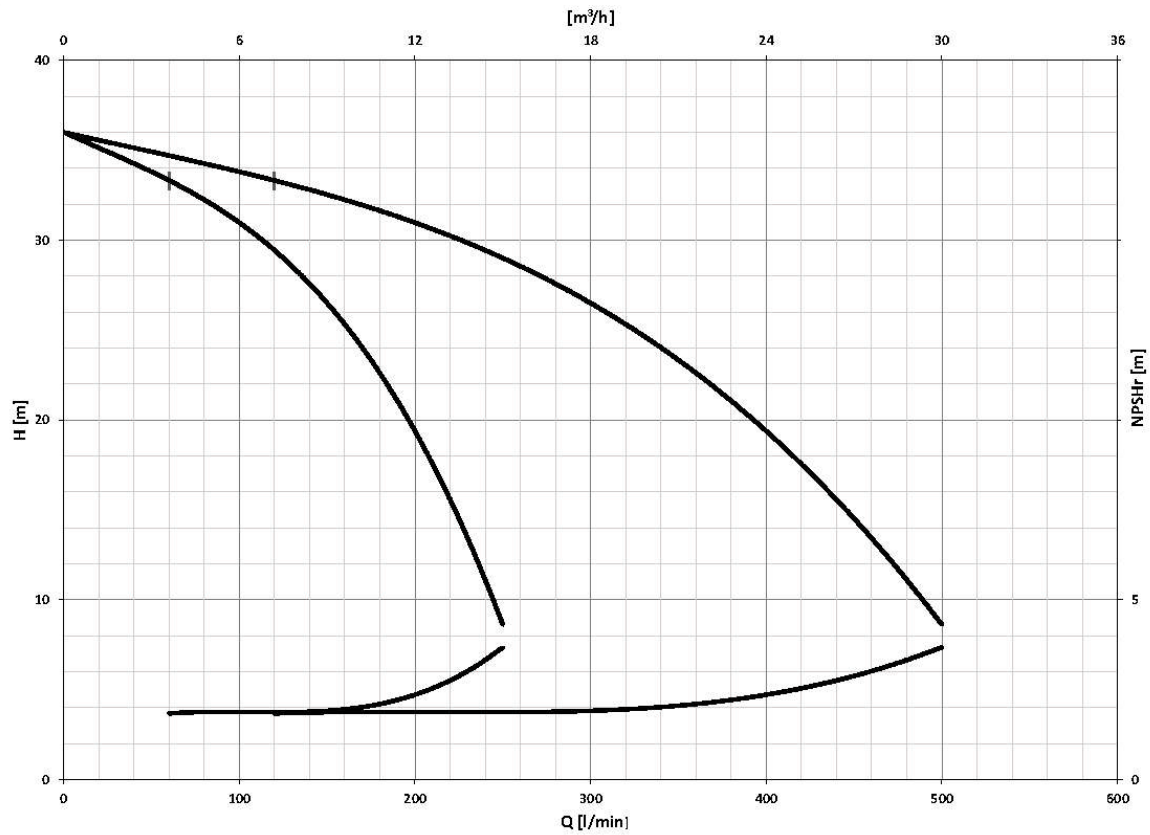
2GP(E) MATRIX 5-9T/2.2(M)



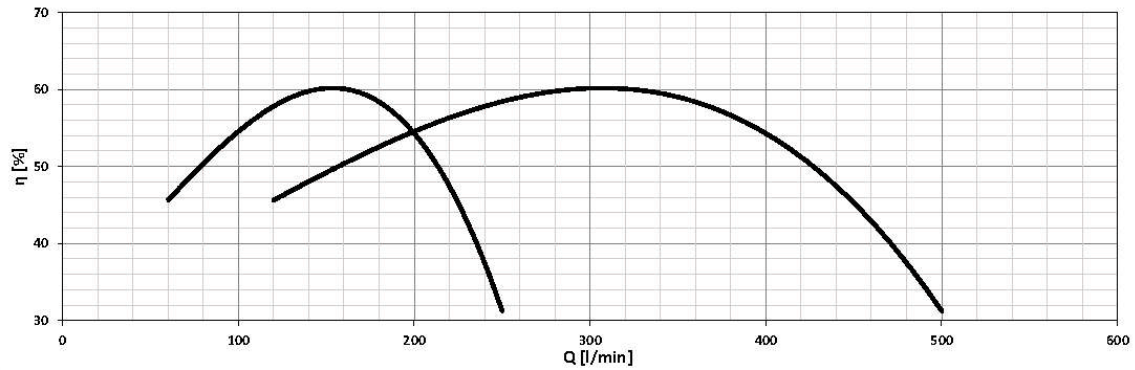
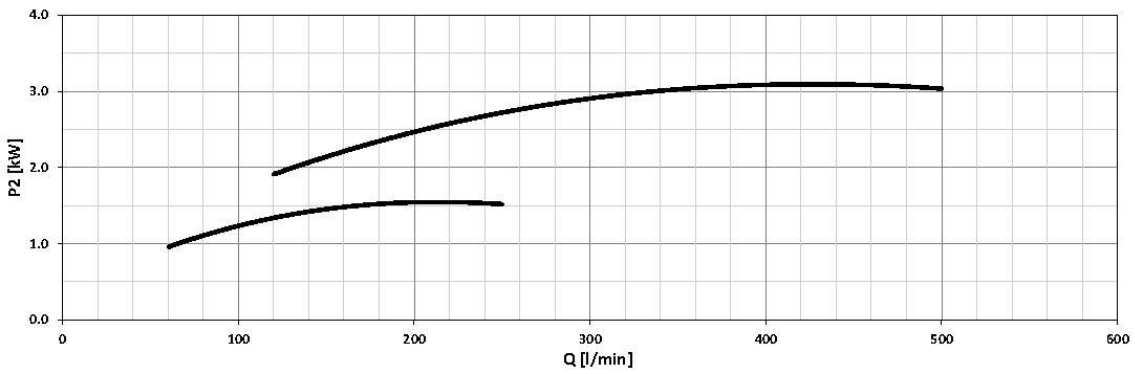
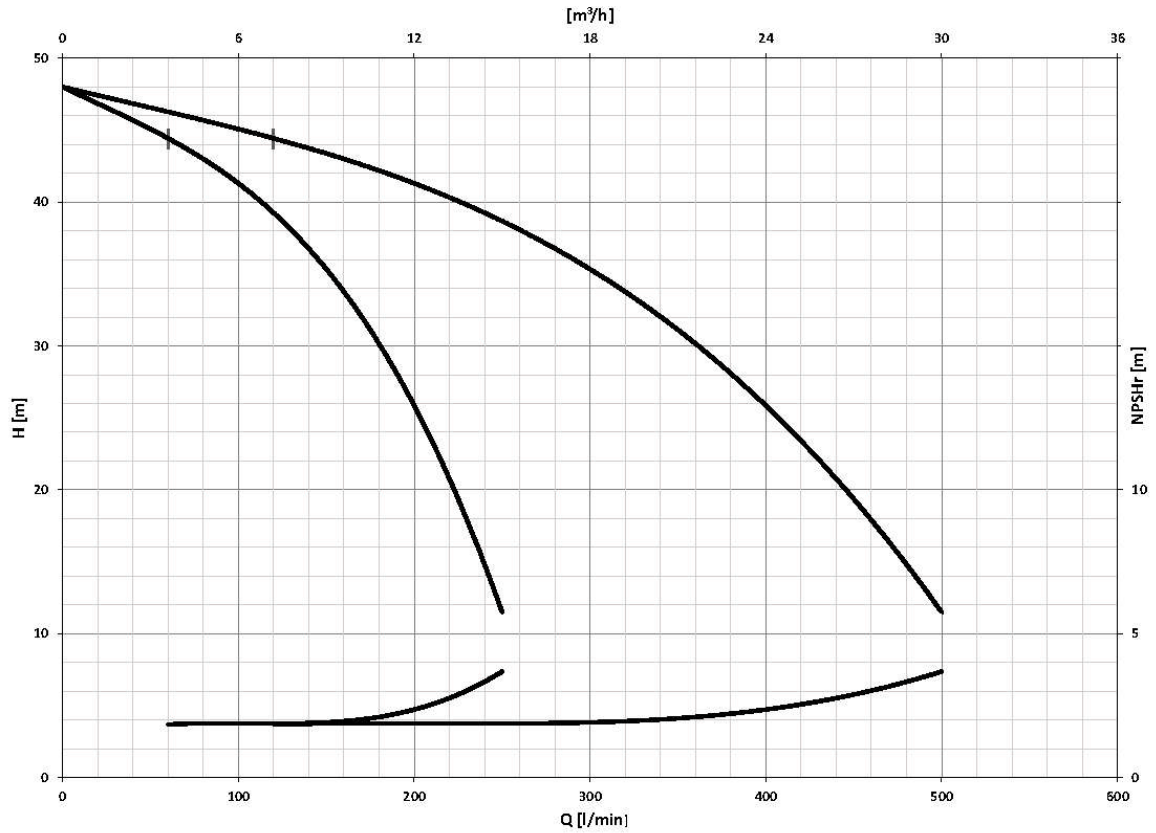
2GP(E) MATRIX 10-3T/1.3(M)

5

PERFORMANCE CURVE



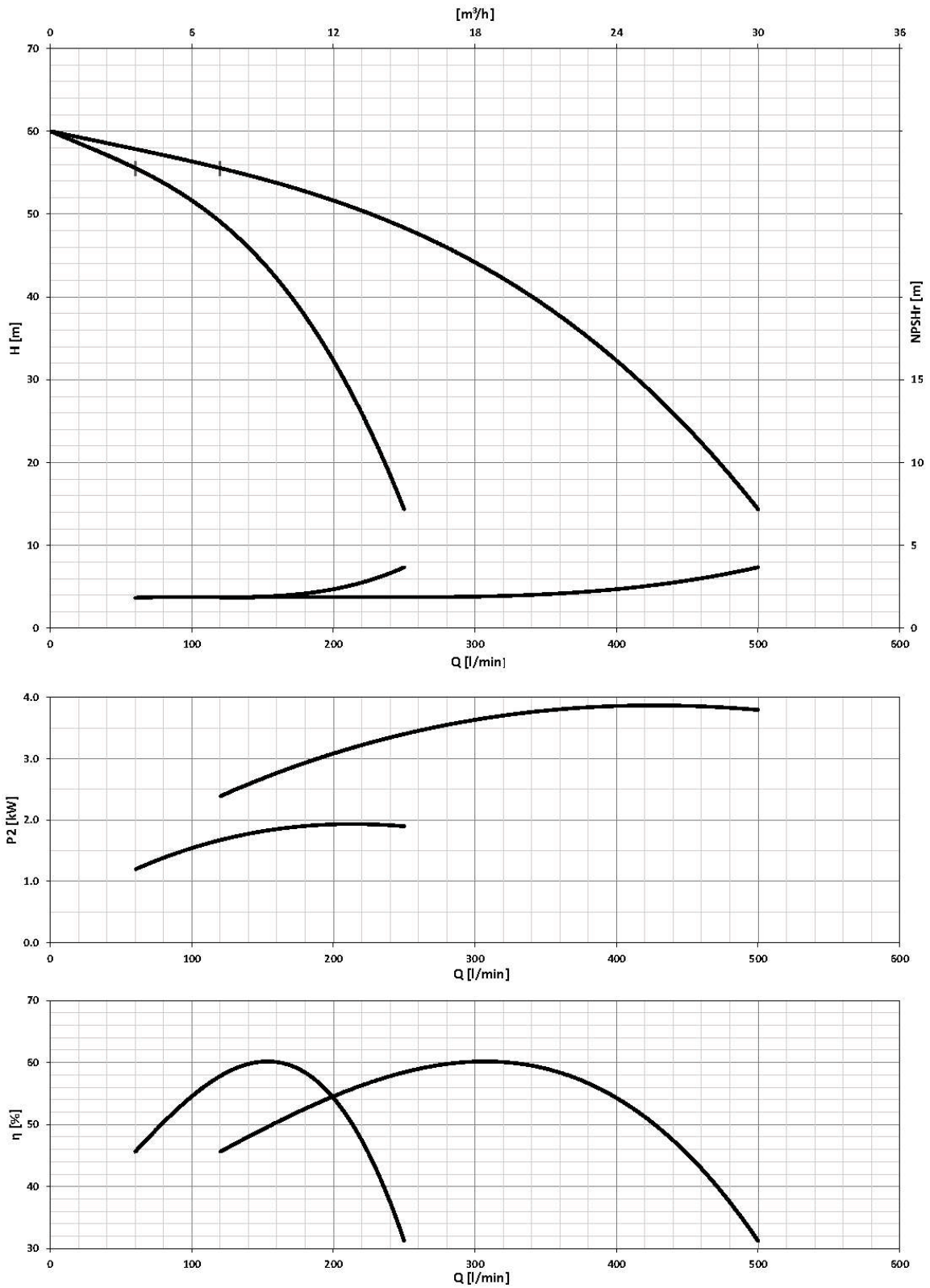
2GP(E) MATRIX 10-4T/1.5(M)



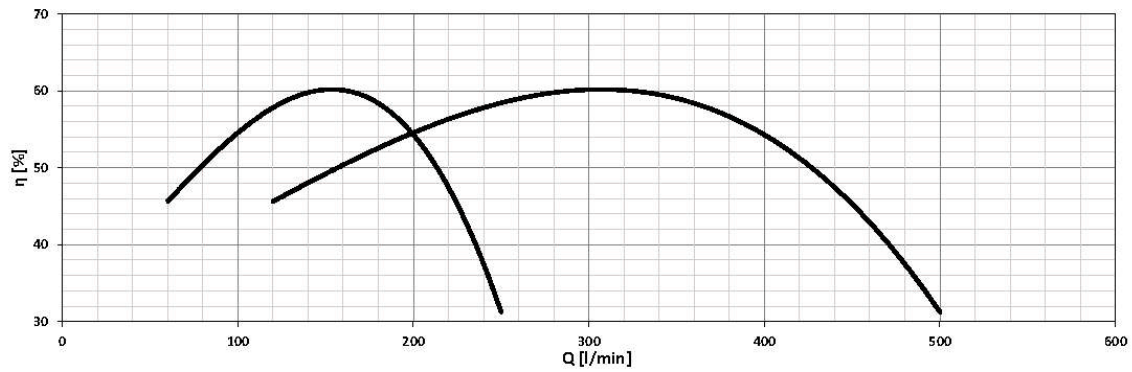
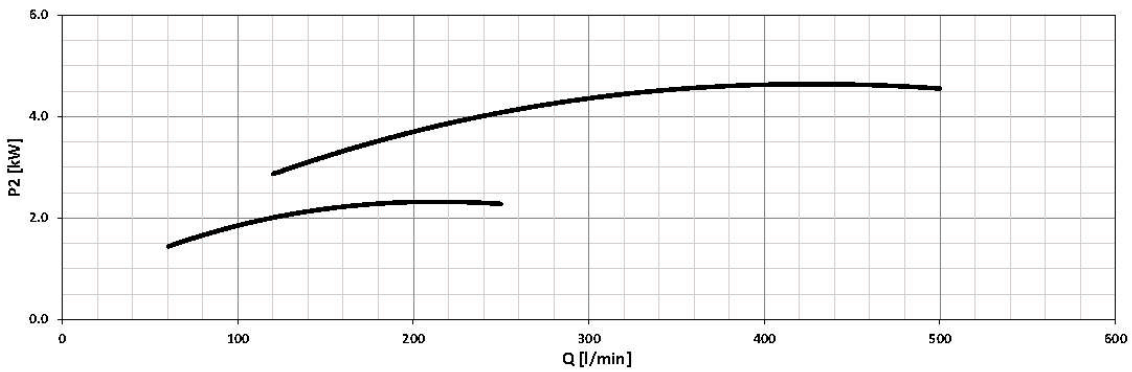
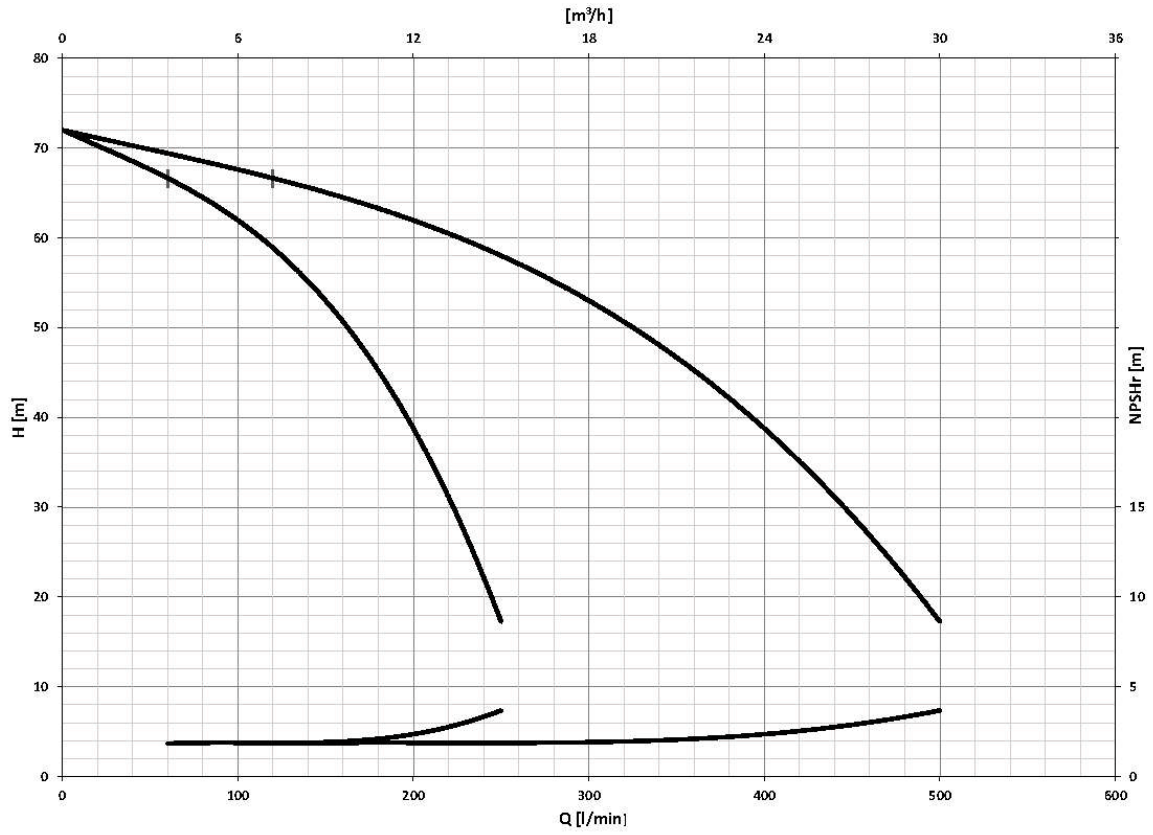
2GP(E) MATRIX 10-5T/2.2(M)

5

PERFORMANCE CURVE



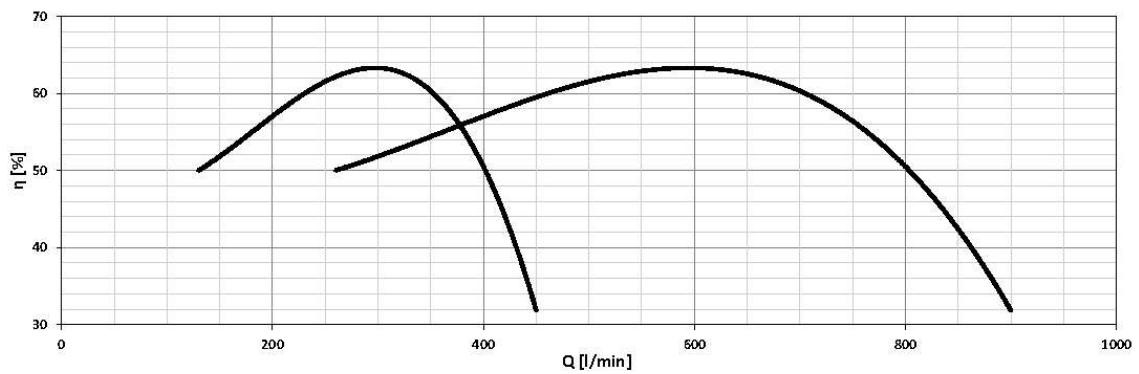
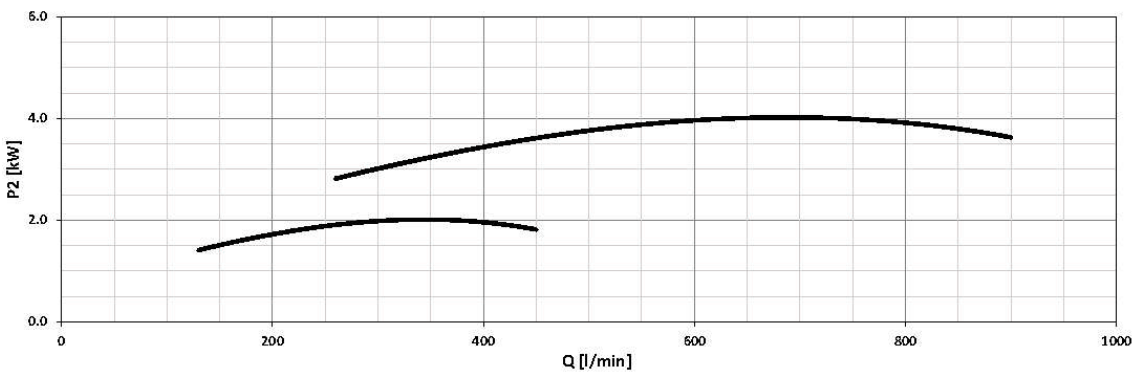
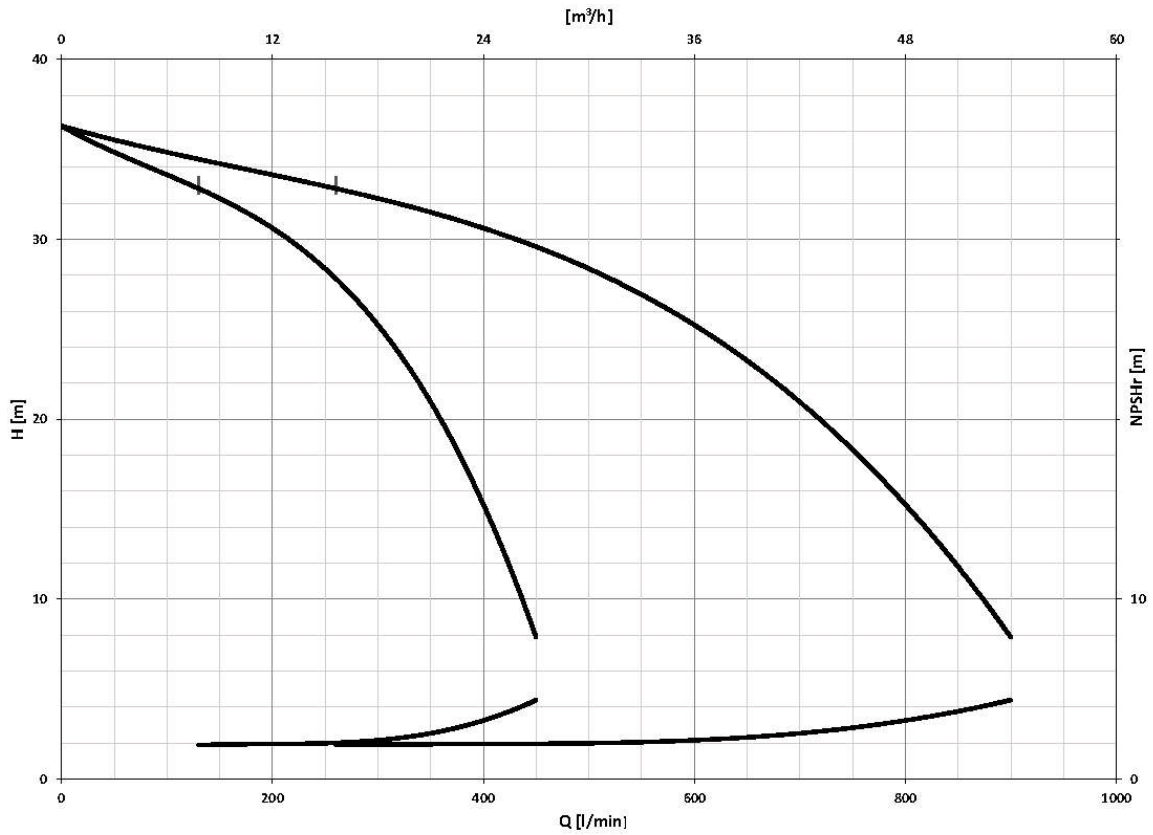
2GP(E) MATRIX 10-6T/2.2(M)



2GP(E) MATRIX 18-3T/2.2(M)

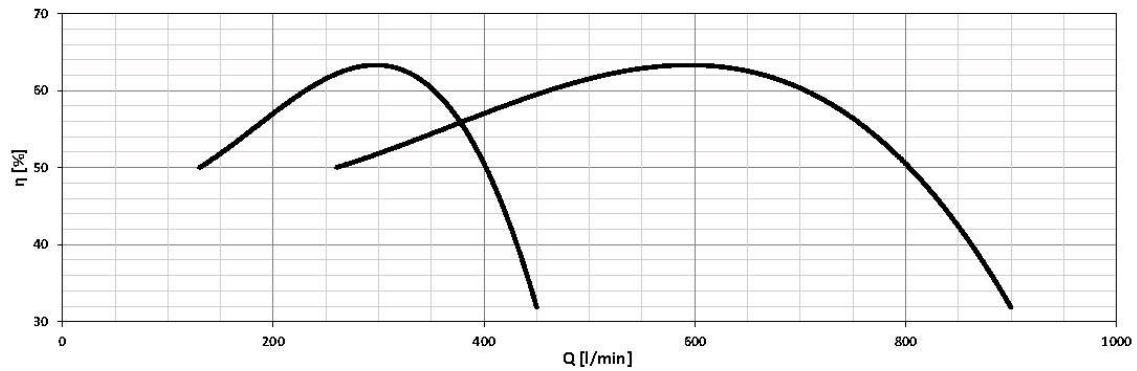
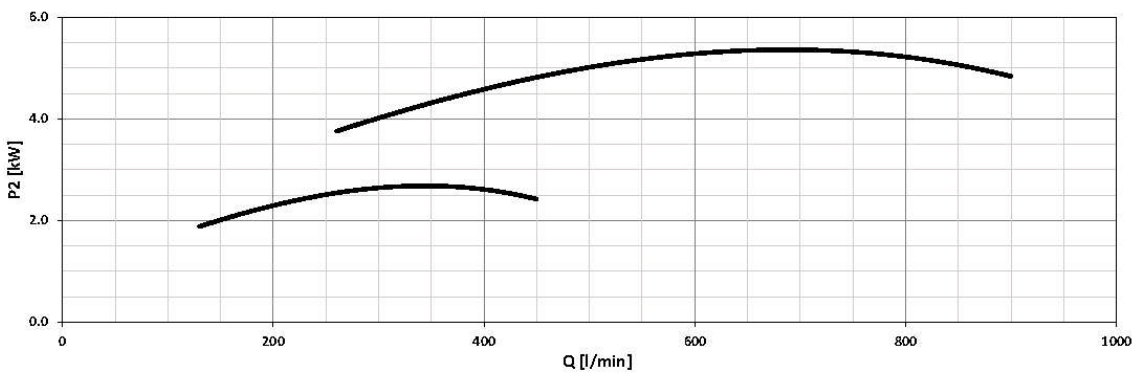
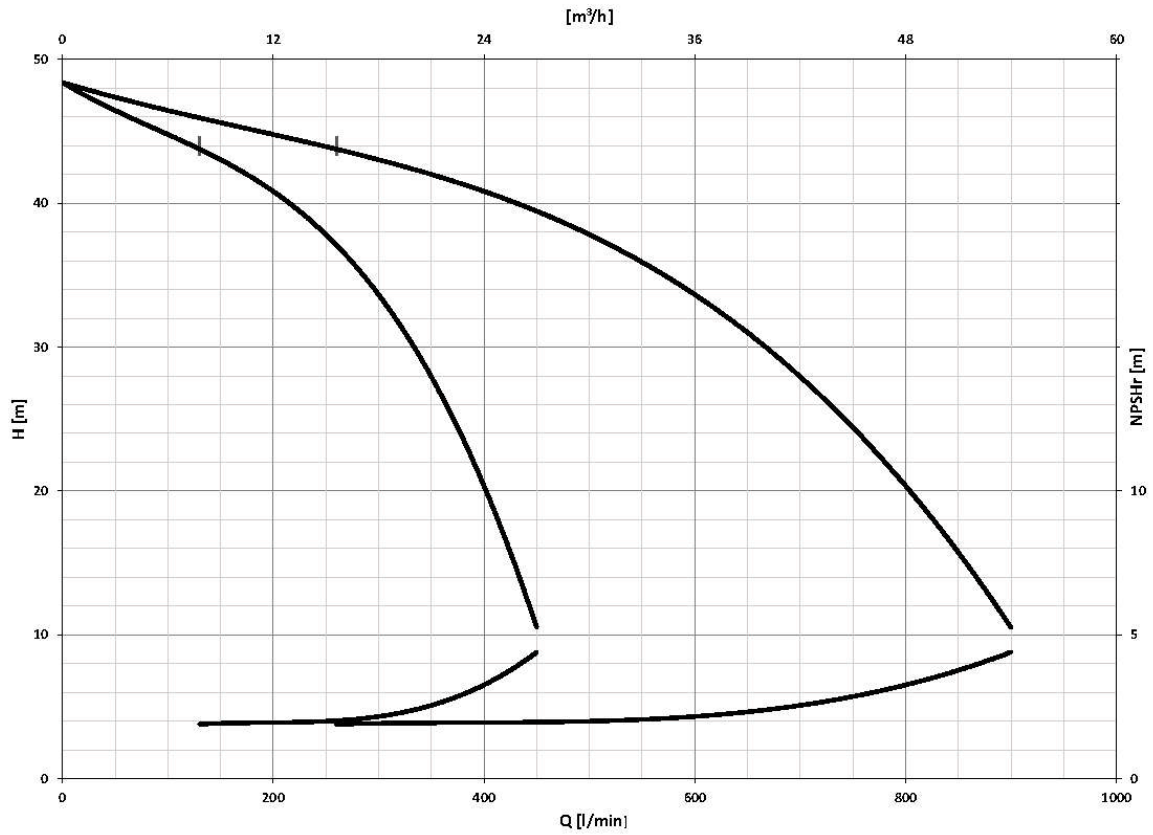
5

PERFORMANCE CURVE

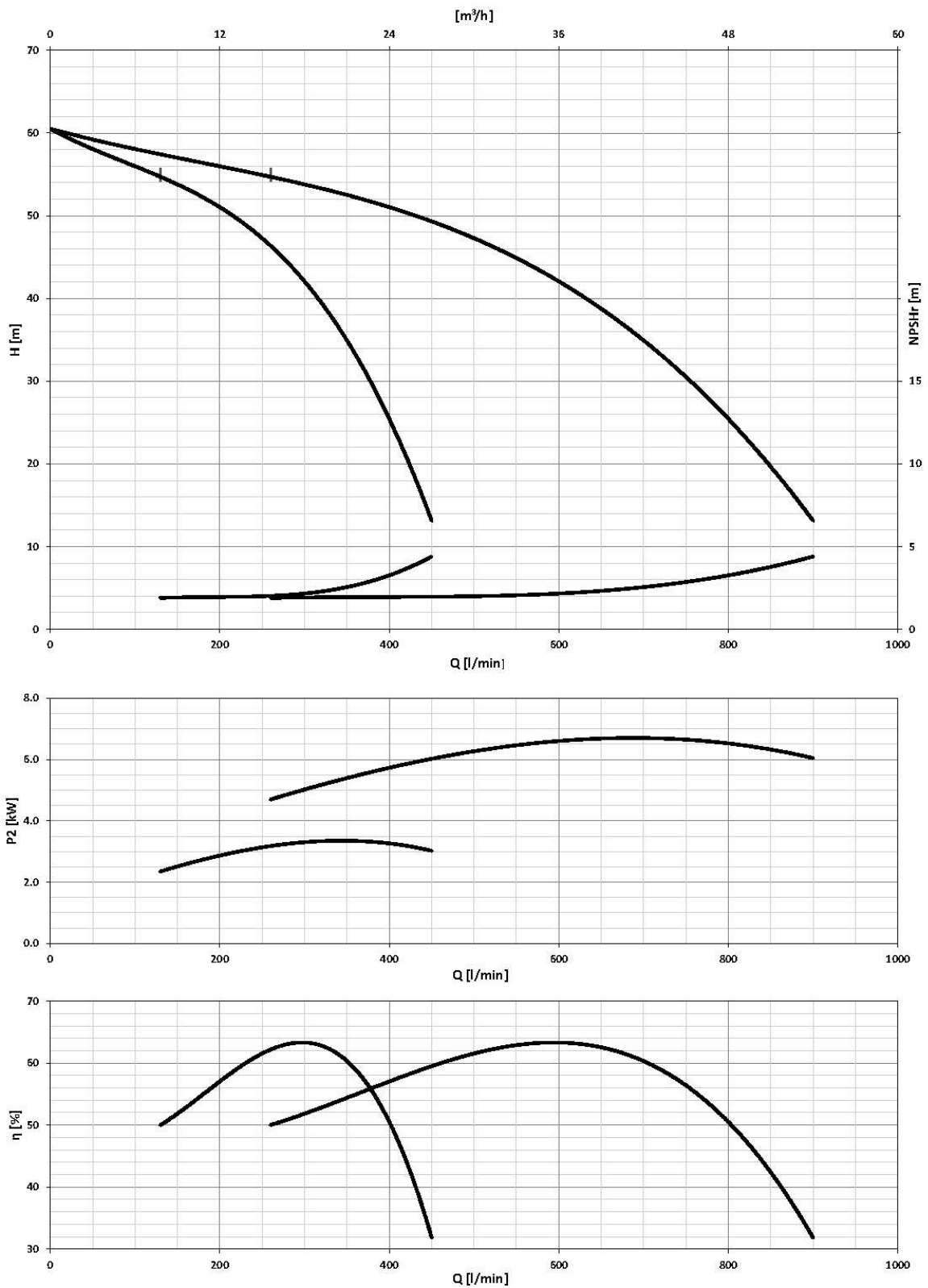


421

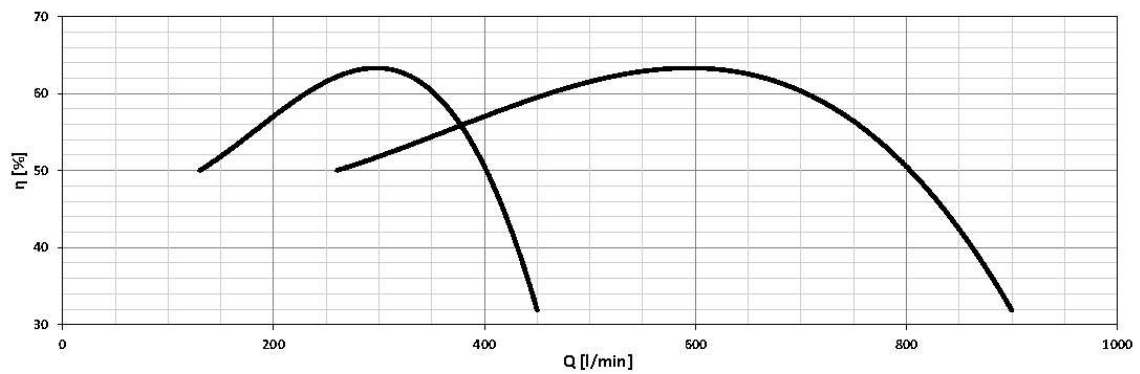
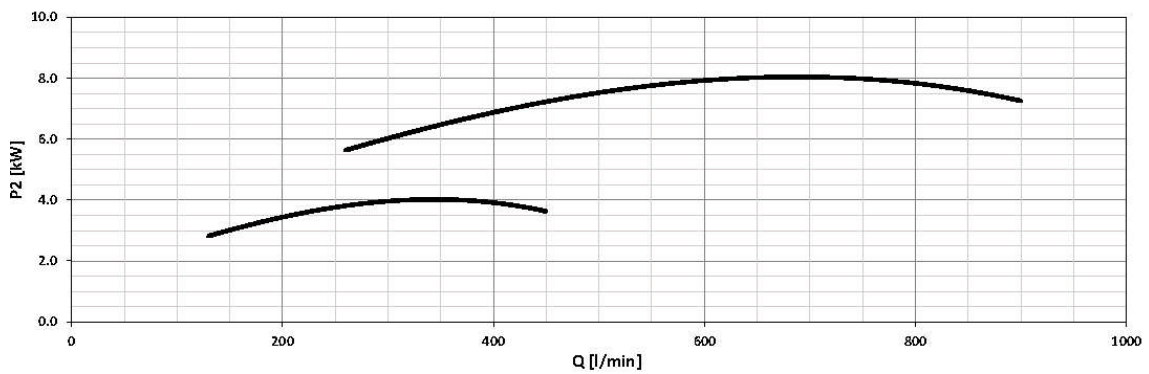
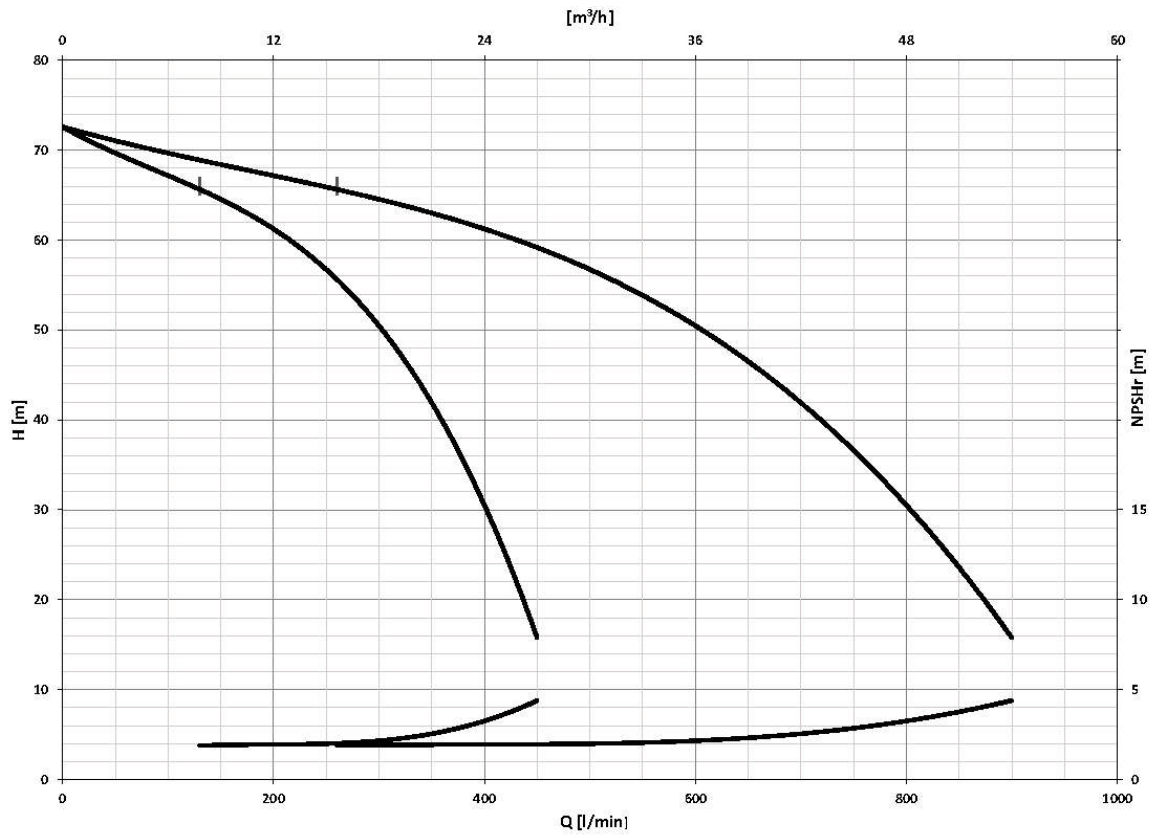
2GP(E) MATRIX 18-4T/3



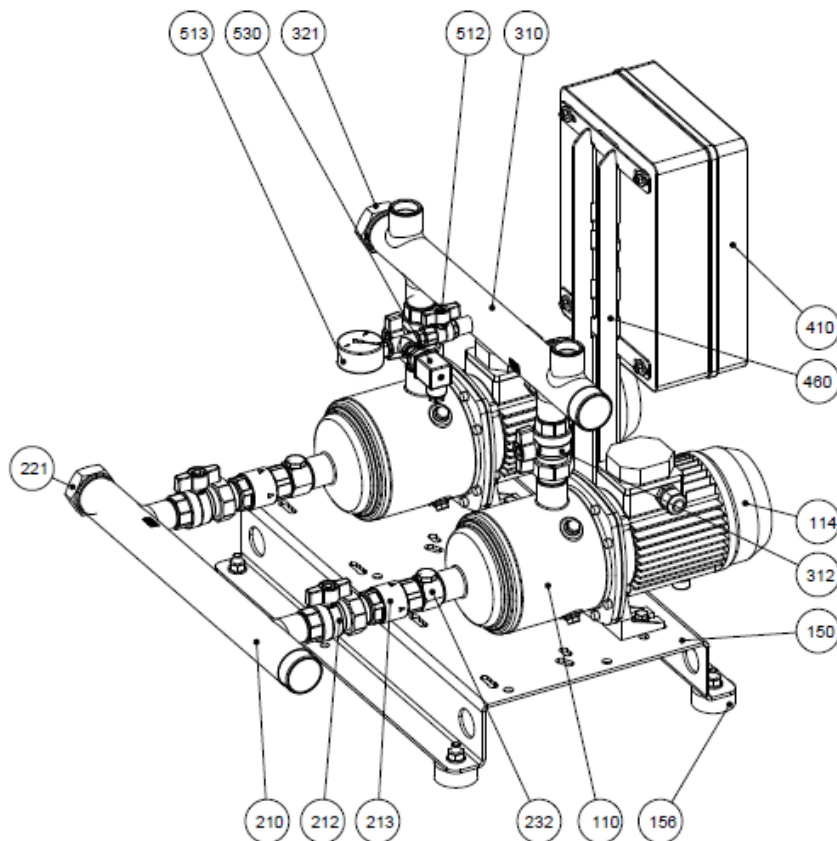
2GP(E) MATRIX 18-5T/4



2GP(E) MATRIX 18-6T/4

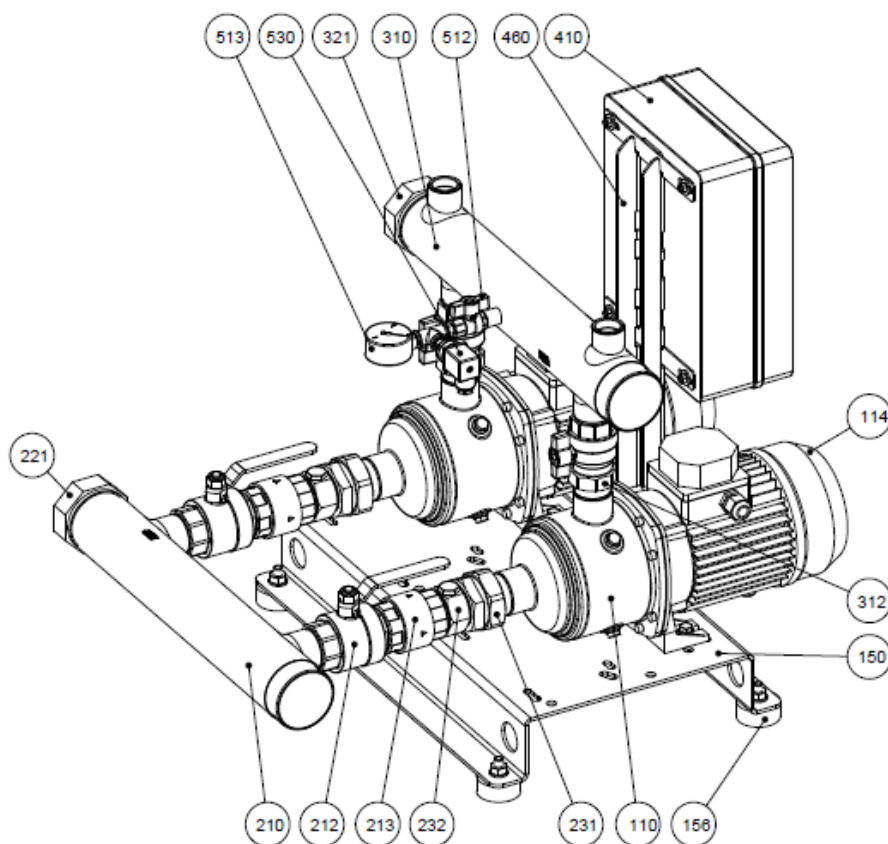


2GP CONSTRUCTION EXTERNAL VIEW 2GP MATRIX 3-5



N°	PART NAME	MATERIAL	Quantity
110	Principal pump	-	2
114	Electric motor	-	2
150	Basement	Galvanized steel	1
156	Basement foot	SBR	4
210	Suction manifold	AISI 304	1
212	Union ball valve	CW617N / CW614N	2
213	Check valve	Brass / NBR	2
221	Threaded female cap	Galvanized steel [1]	1
232	Nipple for air feeders	Yellow brass	2
310	Discharge manifold	AISI 304	1
312	Union ball valve	CW617N / CW614N	2
321	Threaded female cap	Galvanized steel [1]	1
410	Control panel	-	1
460	Control panel frame	Galvanized steel	1
512	Ball valve	CW617N / CW614N	1
513	Pressure gauge	Copper alloy / plastic	1
530	Pressure transmitter	-	1

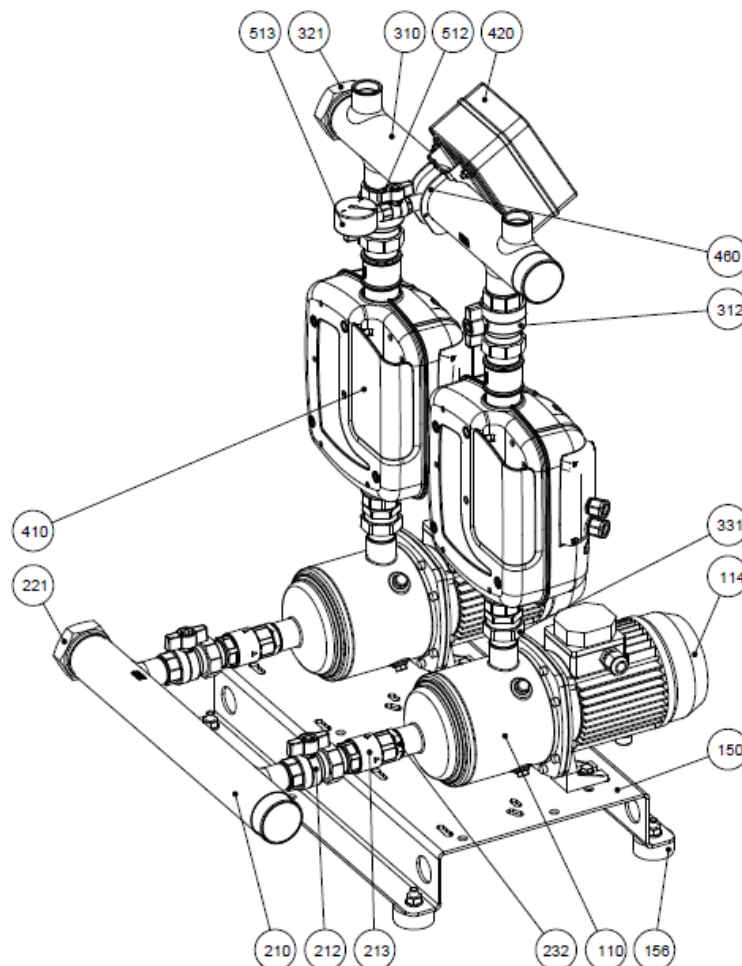
EXTERNAL VIEW 2GP MATRIX 10-18



N°	PART NAME	MATERIAL	Quantity
110	Principal pump	-	2
114	Electric motor	-	2
150	Basement	Galvanized steel	1
156	Basement foot	SBR	4
210	Suction manifold	AISI 304	1
212	Ball valve	CW617N / CW614N	2
213	Check valve	Brass / NBR	2
221	Threaded female cap	Galvanized steel [1]	1
231	Union 3 pcs.	Yellow brass	2
232	Nipple for air feeders	Yellow brass	2
310	Discharge manifold	AISI 304	1
312	Union ball valve	CW617N / CW614N	2
321	Threaded female cap	Galvanized steel [1]	1
410	Control panel	-	1
460	Control panel frame	Galvanized steel	1
512	Ball valve	CW617N / CW614N	1
513	Pressure gauge	Copper alloy / plastic	1
530	Pressure transmitter	-	1

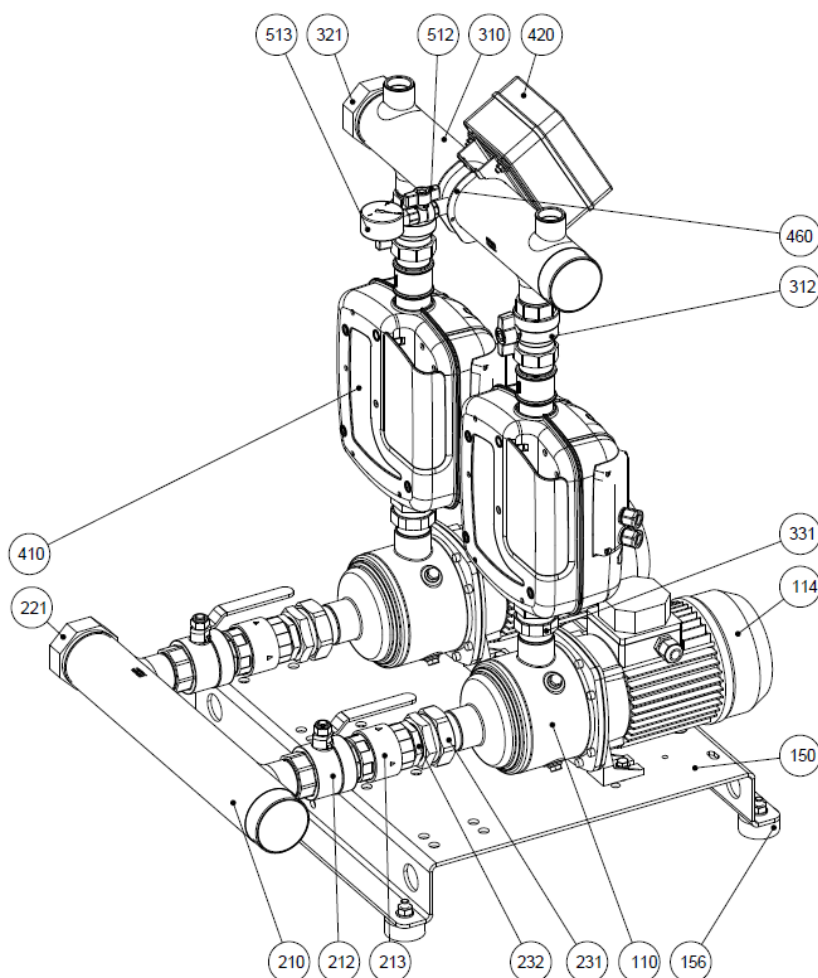
[1] Stainless steel only for Matrix 18

2GPE CONSTRUCTION EXTERNAL VIEW 2GPE MATRIX 3-5 E-POWER



N°	PART NAME	MATERIAL	Quantity
110	Principal pump	-	2
114	Electric motor	-	2
150	Basement	Galvanized steel	1
156	Basement foot	SBR	4
210	Suction manifold	AISI 304	1
212	Union ball valve	CW617N / CW614N	2
213	Check valve (Clapet)	Cast iron EN 1561 EN-GJL-250	2
221	Threaded female cap	Galvanized steel	1
232	Nipple	Yellow brass	2
310	Discharge manifold	AISI 304	1
312	Union ball valve	CW617N / CW614N	2
321	Threaded female cap	Galvanized steel	1
331	Union 3 pcs.	Yellow brass	2
410	E-Power	-	2
420	Protection panel	-	1
460	Protection panel frame	Galvanized steel	1
512	Ball valve	CW617N / CW614N	1
513	Pressure gauge	Copper alloy / plastic	1

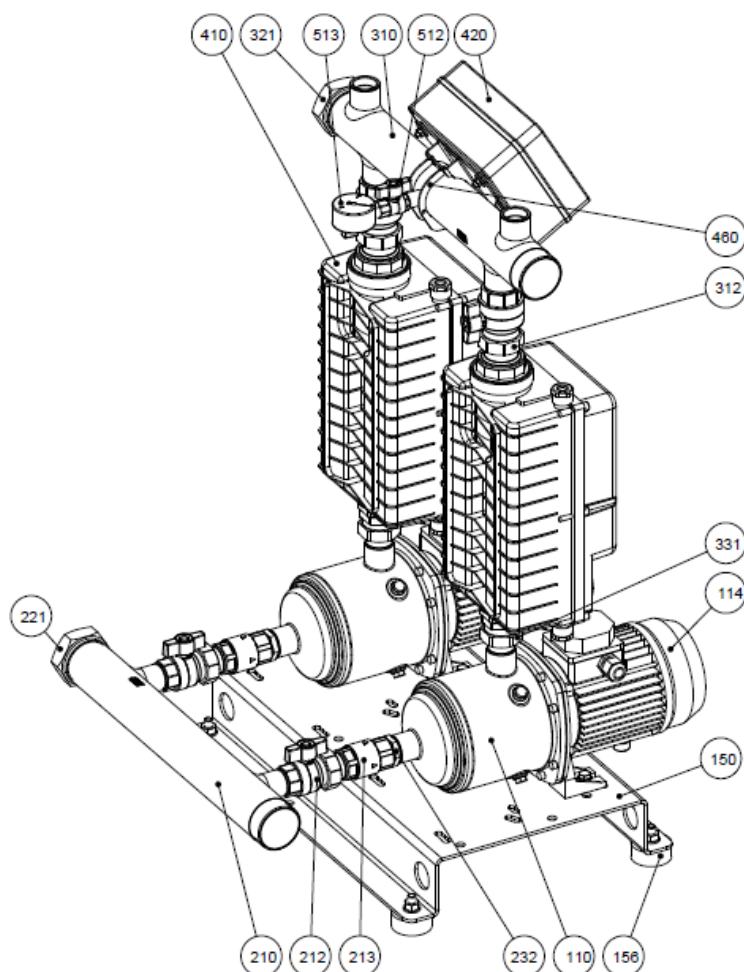
EXTERNAL VIEW 2GPE MATRIX10 E-POWER



N°	PART NAME	MATERIAL	Quantity
110	Principal pump	-	2
114	Electric motor	-	2
150	Basement	Galvanized steel	1
156	Basement foot	SBR	4
210	Suction manifold	AISI 304	1
212	Ball valve	CW617N / CW614N	2
213	Check valve (Clapet)	Cast iron EN 1561 EN-GJL-250	2
221	Threaded female cap	Galvanized steel	1
231	Union 3 pcs.	Yellow brass	2
232	Nipple	Yellow brass	2
310	Discharge manifold	AISI 304	1
312	Union ball valve	CW617N / CW614N	2
321	Threaded female cap	Galvanized steel	1
331	Union 3 pcs.	Yellow brass	2
410	E-Power	-	2
420	Protection panel	-	1
460	Protection panel frame	Galvanized steel	1
512	Ball valve	CW617N / CW614N	1
513	Pressure gauge	Copper alloy / plastic	1

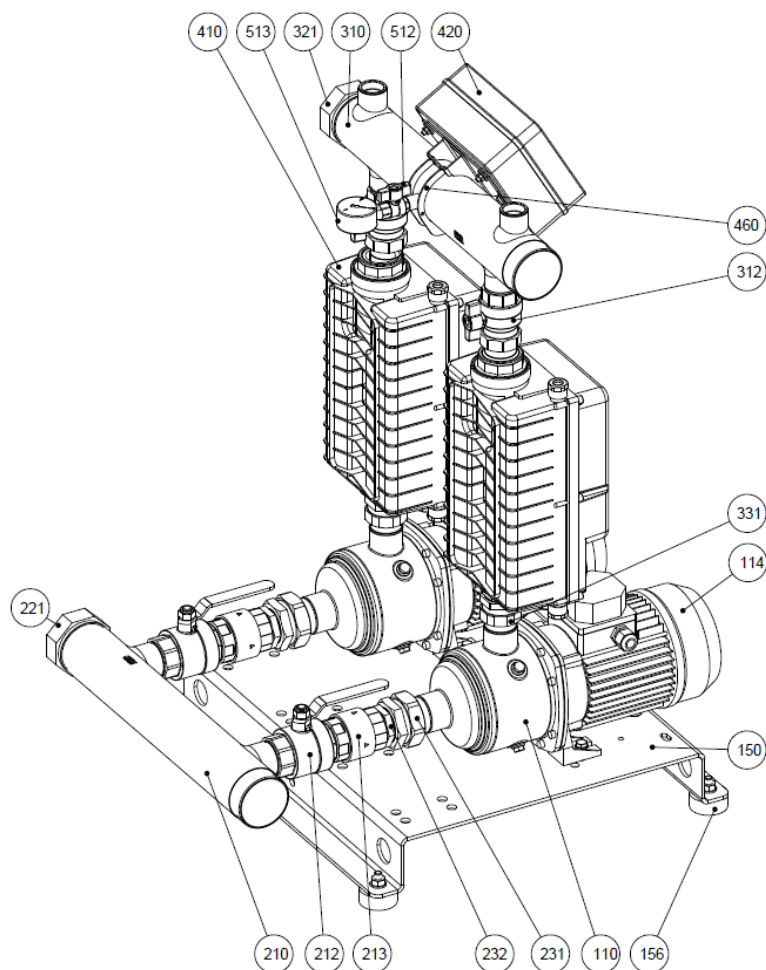
704

EXTERNAL VIEW 2GPE MATRIX 3-5 HYDROCONTROLLER



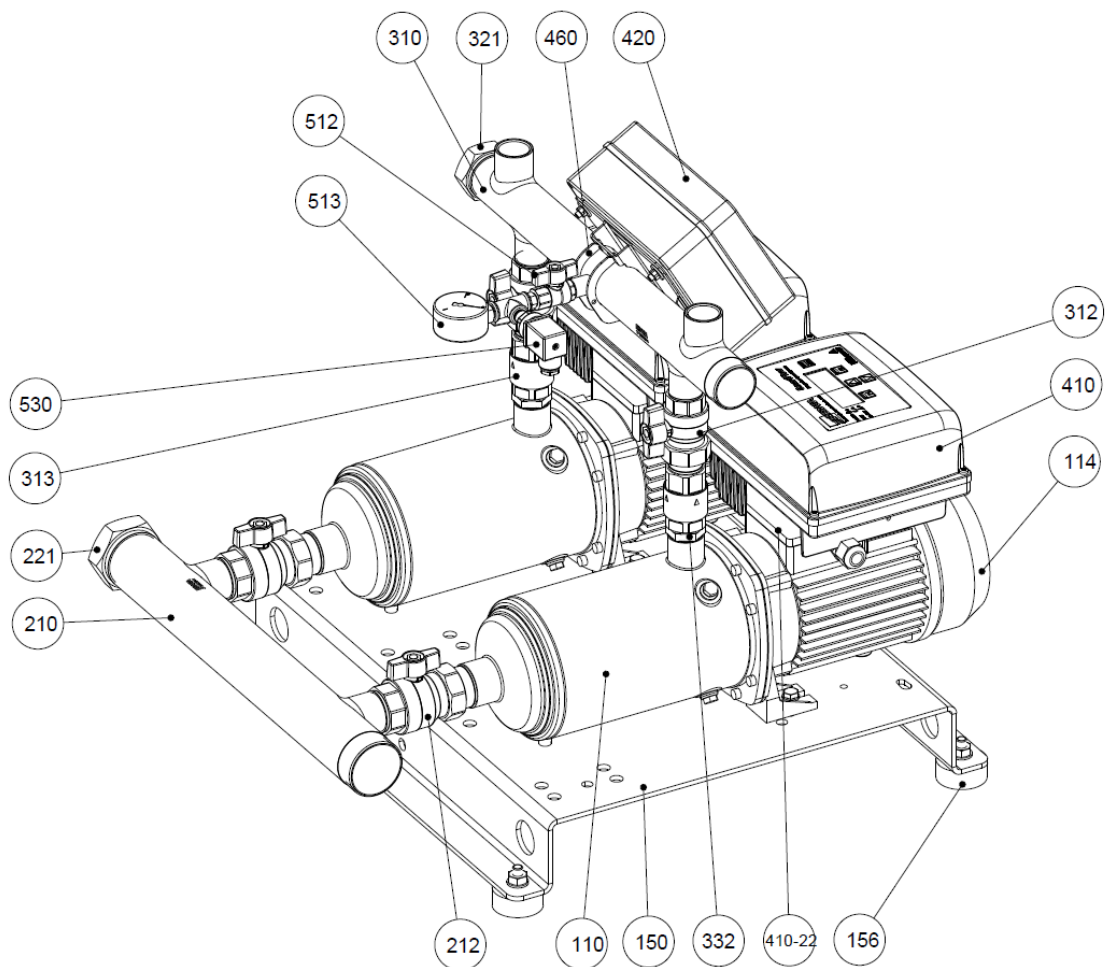
N°	PART NAME	MATERIAL	Quantity
110	Principal pump	-	2
114	Electric motor	-	2
150	Basement	Galvanized steel	1
156	Basement foot	SBR	4
210	Suction manifold	AISI 304	1
212	Union ball valve	CW617N / CW614N	2
213	Check valve	Brass / NBR	2
221	Threaded female cap	Galvanized steel	1
232	Nipple	Yellow brass	2
310	Discharge manifold	AISI 304	1
312	Union ball valve	CW617N / CW614N	2
321	Threaded female cap	Galvanized steel	1
331	Union 3 pcs.	Yellow brass	2
410	Hydrocontroller	-	2
420	Protection panel	-	1
460	Protection panel frame	Galvanized steel	1
512	Ball valve	CW617N / CW614N	1
513	Pressure gauge	Copper alloy / plastic	1

EXTERNAL VIEW 2GPE MATRIX 10 HYDROCONTROLLER



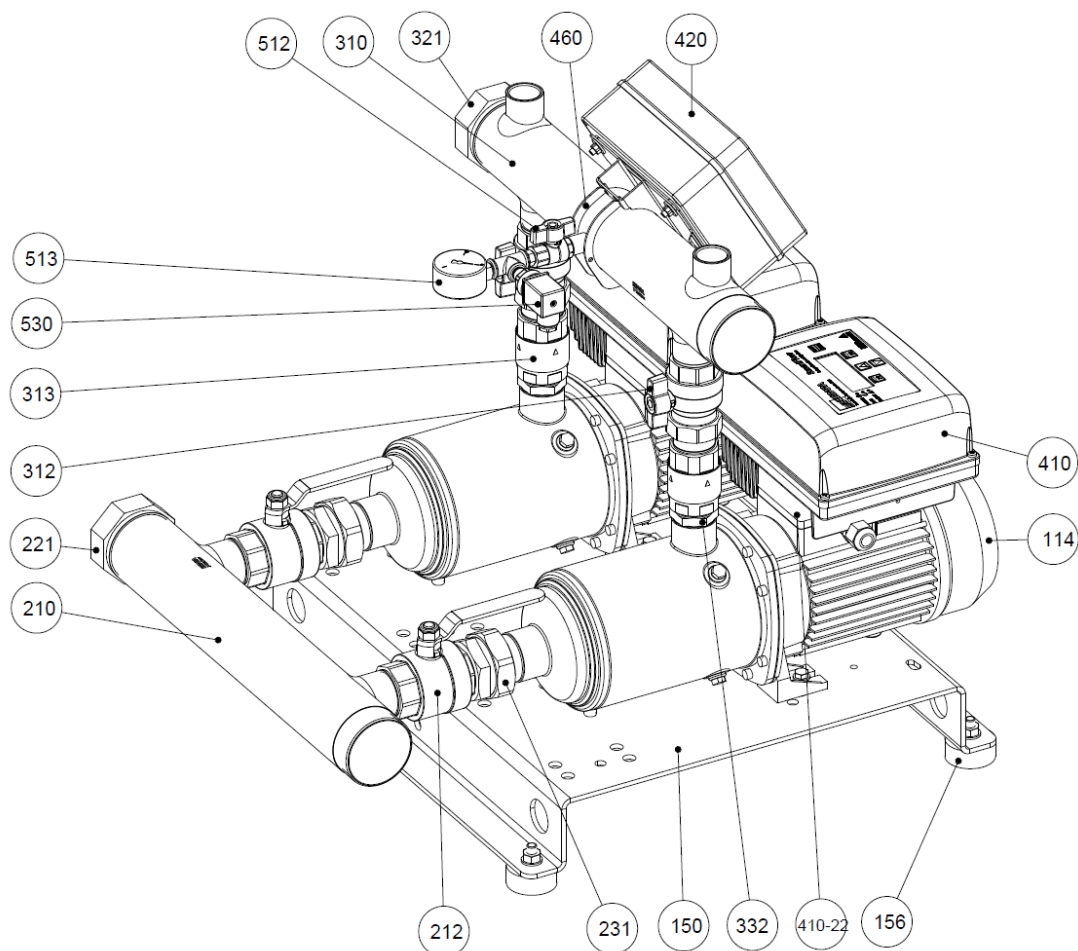
N°	PART NAME	MATERIAL	Quantity
110	Principal pump	-	2
114	Electric motor	-	2
150	Basement	Galvanized steel	1
156	Basement foot	SBR	4
210	Suction manifold	AISI 304	1
212	Ball valve	CW617N / CW614N	2
213	Check valve	Brass / NBR	2
221	Threaded female cap	Galvanized steel	1
231	Union 3 pcs.	Yellow brass	2
232	Nipple	Yellow brass	2
310	Discharge manifold	AISI 304	1
312	Union ball valve	CW617N / CW614N	2
321	Threaded female cap	Galvanized steel	1
331	Union 3 pcs.	Yellow brass	2
410	Hydrocontroller	-	2
420	Protection panel	-	1
460	Protection panel frame	Galvanized steel	1
512	Ball valve	CW617N / CW614N	1
513	Pressure gauge	Copper alloy / plastic	1

EXTERNAL VIEW 2GPE MATRIX 3-5 E-SPD



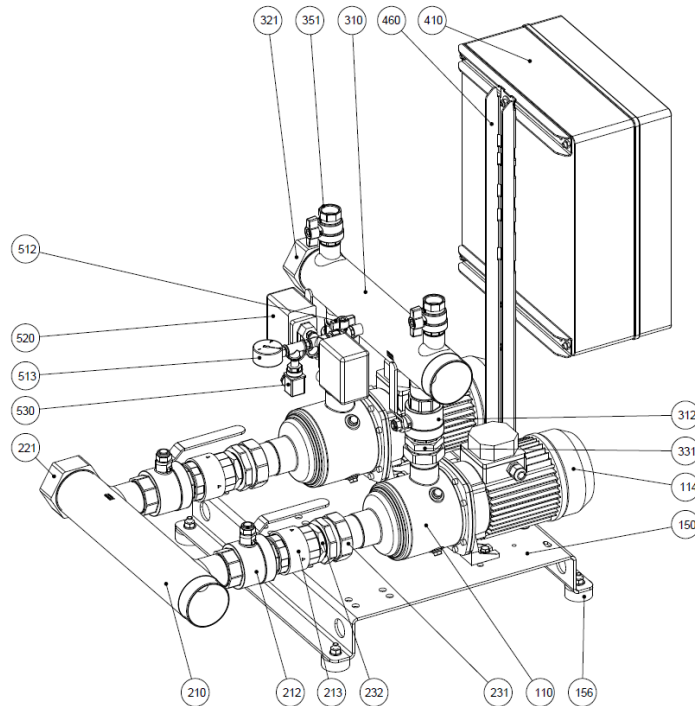
N°	PART NAME	MATERIAL	Quantity
110	Principal pump	-	2
114	Electric motor	-	2
150	Basement	Galvanized steel	1
156	Basement foot	SBR	4
210	Suction manifold	AISI 304	1
212	Union ball valve	CW617N / CW614N	2
221	Threaded female cap	Galvanized steel	1
310	Discharge manifold	AISI 304	1
312	Union ball valve	CW617N / CW614N	2
313	Check valve	Brass / NBR	2
321	Threaded female cap	Galvanized steel	1
332	Nipple	Yellow brass	2
410	E-SPD	-	2
410-22	E-SPD adaptor	-	2
420	Protection panel	-	1
460	Protection panel frame	Galvanized steel	1
512	Ball valve	CW617N / CW614N	1
513	Pressure gauge	Copper alloy / plastic	1
530	Pressure transmitter	-	1

EXTERNAL VIEW 2GPE MATRIX 10 E-SPD



N°	PART NAME	MATERIAL	Quantity
110	Principal pump	-	2
114	Electric motor	-	2
150	Basement	Galvanized steel	1
156	Basement foot	SBR	4
210	Suction manifold	AISI 304	1
212	Ball valve	CW617N / CW614N	2
221	Threaded female cap	Galvanized steel	1
231	Union 3 pcs.	Yellow brass	2
310	Discharge manifold	AISI 304	1
312	Union ball valve	CW617N / CW614N	2
313	Check valve	Brass / NBR	2
321	Threaded female cap	Galvanized steel	1
332	Nipple	Yellow brass	2
410	E-SPD	-	2
410-22	E-SPD adaptor	-	2
420	Protection panel	-	1
460	Protection panel frame	Galvanized steel	1
512	Ball valve	CW617N / CW614N	1
513	Pressure gauge	Copper alloy / plastic	1
530	Pressure transmitter	-	1

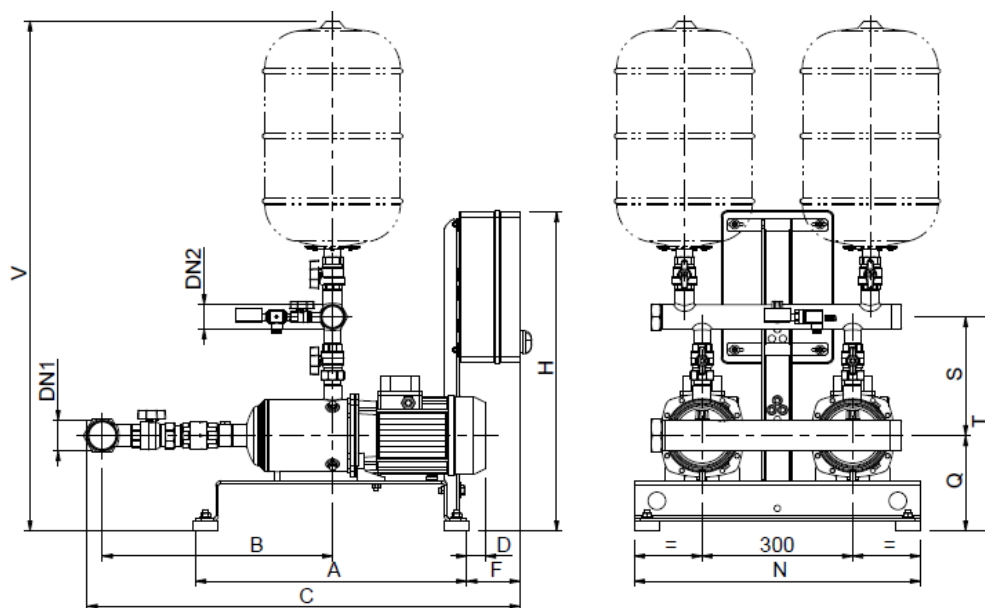
EXTERNAL VIEW 2GPE MATRIX EFC/MFC



N°	PART NAME	MATERIAL	Quantity
110	Principal pump	-	2
114	Electric motor	-	2
150	Basement	Galvanized steel	1
156	Basement foot	SBR	4
210	Suction manifold	AISI 304	1
212	Ball valve	CW617N / CW614N	2
213	Check valve	Brass / NBR	2
221	Threaded female cap	Galvanized steel	1
231	Union 3 pcs.	Yellow brass	2
232	Nipple	Yellow brass	2
310	Discharge manifold	AISI 304	1
312	Ball valve	CW617N / CW614N	2
321	Threaded female cap	Galvanized steel [1]	1
331	Union 3 pcs.	Yellow brass	2
351	Ball valve	CW617N / CW614N	2
410	Control panel	-	1
460	Control panel frame	Galvanized steel	1
512	Ball valve	CW617N / CW614N	1
513	Pressure gauge	Copper alloy / plastic	1
520	Pressure switches	-	2
530	Pressure transmitter	-	1

OVERALL DIMENSIONS 2GP BOOSTER SET

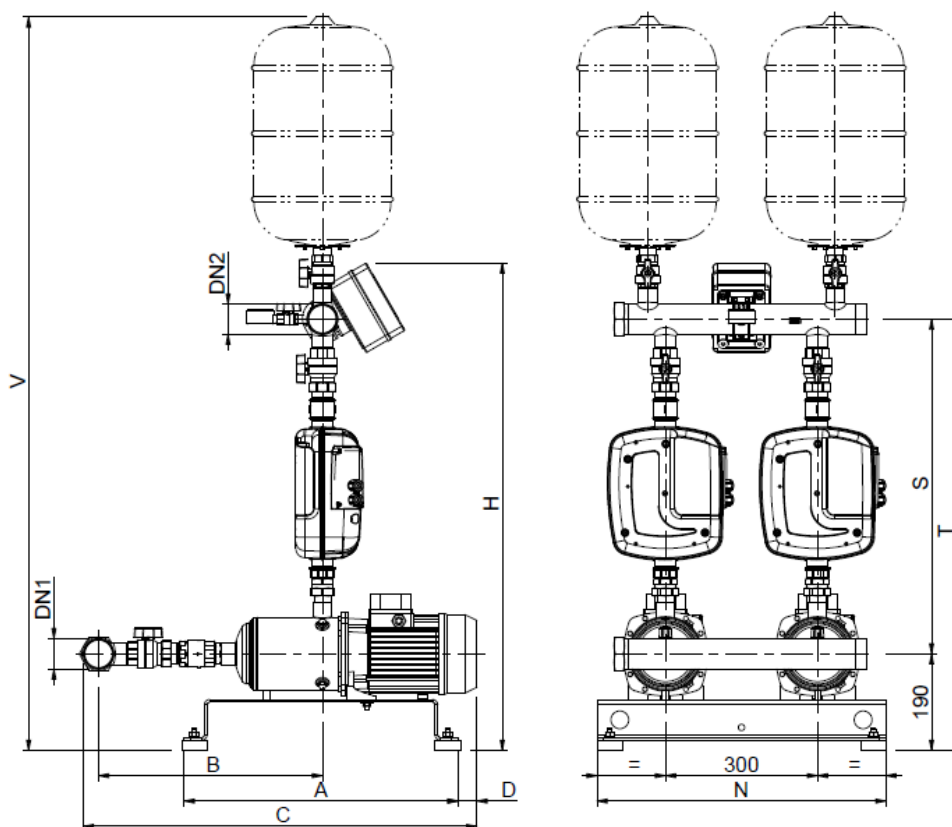
2GP MATRIX



Booster Type	Dimensions [mm]																Weight [kg]					
	DN1	DN2	1~	3~	B	1~	3~	1~	3~	1~	3~	1~	3~	1~	3~	Q	S	T	V	1~	3~	
			A			C		D		F		H		N								
2GP MATRIX 3-4T/0.65(M)	G 1 1/2	G 1 1/2	380	380	360	640	665	80	80	75	105	630	635	550	550	190	235	425	1015	52	53	
2GP MATRIX 3-5T/0.75(M)	G 1 1/2	G 1 1/2	380	380	385	665	690	80	80	75	105	630	635	550	550	190	235	425	1015	55	57	
2GP MATRIX 3-6T/0.9(M)	G 1 1/2	G 1 1/2	380	380	405	700	715	95	95	75	105	630	635	550	550	190	235	425	1015	58	60	
2GP MATRIX 3-7T/1.3(M)	G 1 1/2	G 1 1/2	380	540	430	745	830	115	50	75	105	630	635	550	570	190	235	425	1015	63	74	
2GP MATRIX 3-8T/1.3(M)	G 1 1/2	G 1 1/2	380	540	455	770	855	115	50	75	105	630	635	550	570	190	235	425	1015	63	76	
2GP MATRIX 3-9T/1.5(M)	G 1 1/2	G 1 1/2	380	540	480	810	875	130	55	75	105	630	635	550	570	190	235	425	1015	67	80	
2GP MATRIX 5-4T/0.9(M)	G 2	G 1 1/2	380	380	385	685	700	95	95	75	105	630	635	550	550	190	235	425	1015	57	59	
2GP MATRIX 5-5T/1.3(M)	G 2	G 1 1/2	380	540	410	735	815	115	50	75	105	630	635	550	570	190	235	425	1015	64	74	
2GP MATRIX 5-6T/1.3(M)	G 2	G 1 1/2	380	540	435	755	840	115	50	75	105	630	635	550	570	190	235	425	1015	63	74	
2GP MATRIX 5-7T/1.5(M)	G 2	G 1 1/2	380	540	460	795	860	130	55	75	105	630	635	550	570	190	235	425	1015	69	79	
2GP MATRIX 5-8T/2.2(M)	G 2	G 1 1/2	540	540	485	895	885	35	55	75	105	635	635	570	570	190	235	425	1015	82	79	
2GP MATRIX 5-9T/2.2(M)	G 2	G 1 1/2	540	540	505	905	910	35	55	75	105	635	635	570	570	190	235	425	1015	84	80	
2GP MATRIX 10-3T/1.3(M)	G 2 1/2	G 2 1/2	380	540	445	780	845	115	50	75	105	630	635	550	570	190	265	455	1060	66	74	
2GP MATRIX 10-4T/1.5(M)	G 2 1/2	G 2 1/2	380	540	475	820	875	130	55	75	105	630	635	550	570	190	265	455	1060	68	81	
2GP MATRIX 10-5T/2.2(M)	G 2 1/2	G 2 1/2	540	540	490	925	905	25	55	75	105	635	635	570	570	190	265	455	1060	86	83	
2GP MATRIX 10-6T/2.2(M)	G 2 1/2	G 2 1/2	540	540	520	950	935	25	55	75	105	635	635	570	570	190	265	455	1060	87	83	
2GP MATRIX 18-3T/2.2(M)	G 3	G 3	540	540	515	955	940	25	40	75	105	635	635	570	570	190	315	505	1125	94	91	
2GP MATRIX 18-4T/3	G 3	G 3	-	540	555	-	1020	-	60	-	105	-	635	-	570	190	315	505	1130	-	102	
2GP MATRIX 18-5T/4	G 3	G 3	-	540	590	-	1060	-	70	-	205	-	635	-	570	200	315	515	1140	-	121	
2GP MATRIX 18-6T/4	G 3	G 3	-	540	630	-	1095	-	70	-	205	-	635	-	570	200	315	515	1140	-	123	

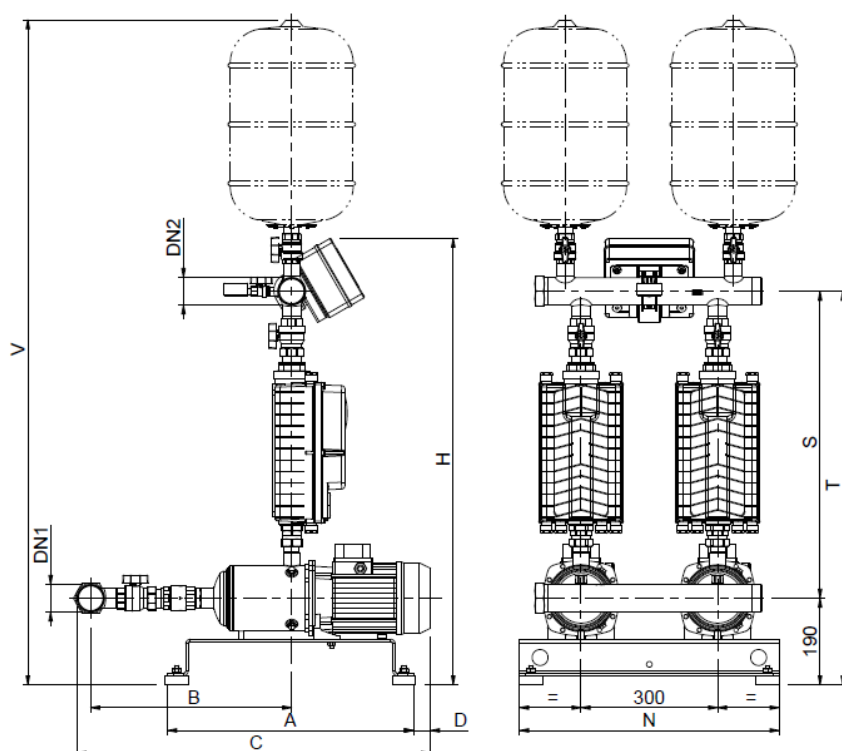
710

OVERALL DIMENSIONS 2GPE BOOSTER SET 2GPE MATRIX E-POWER



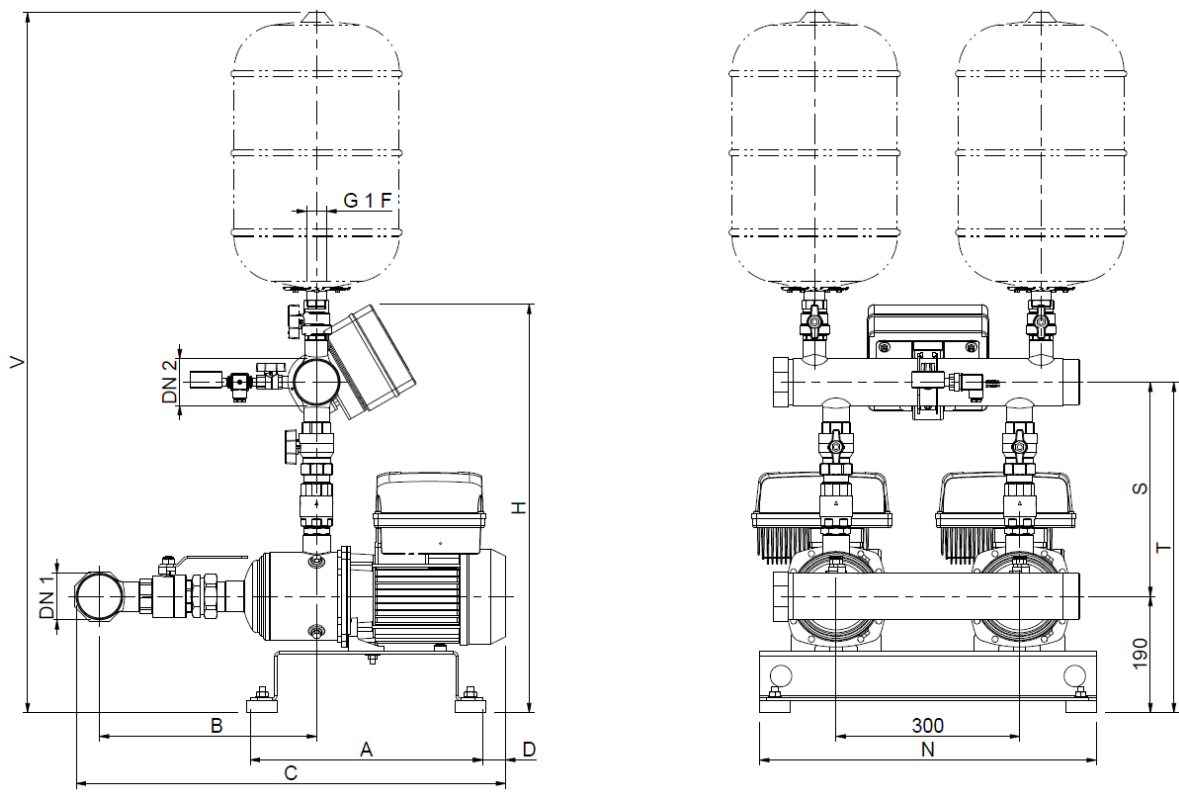
Booster Type	Dimensions [mm]											Weight [kg]
	DN1	DN2	A	B	C	D	H	N	S	T	V	
2GPE MATRIX 3-3T/0.65 EPW	G 2	G 2	380	325	610	80	960	550	660	850	1445	55
2GPE MATRIX 3-4T/0.65 EPW	G 2	G 2	380	345	635	80	960	550	660	850	1445	56
2GPE MATRIX 3-5T/0.75 EPW	G 2	G 2	380	370	660	80	960	550	660	850	1445	60
2GPE MATRIX 3-6T/0.9 EPW	G 2	G 2	380	395	695	95	960	550	660	850	1445	62
2GPE MATRIX 3-7T/1.3 EPW	G 2	G 2	540	420	765	50	960	570	660	850	1445	77
2GPE MATRIX 5-3T/0.65 EPW	G 2	G 2	380	345	635	80	960	550	670	850	1445	56
2GPE MATRIX 5-4T/0.9 EPW	G 2	G 2	380	370	670	95	960	550	670	850	1445	61
2GPE MATRIX 5-5T/1.3 EPW	G 2	G 2	540	395	740	50	960	570	670	850	1445	76
2GPE MATRIX 5-6T/1.3 EPW	G 2	G 2	540	415	765	50	960	570	670	850	1445	76
2GPE MATRIX 5-7T/1.5 EPW	G 2	G 2	540	440	790	55	960	570	670	850	1445	81
2GPE MATRIX 10-3T/1.3 EPW	G 2 1/2	G 2 1/2	540	415	775	50	955	570	645	835	1435	75
2GPE MATRIX 10-4T/1.5 EPW	G 2 1/2	G 2 1/2	540	445	805	55	955	570	645	835	1435	83
2GPE MATRIX 10-5T/2.2 EPW	G 2 1/2	G 2 1/2	540	475	835	55	955	570	645	835	1435	84
2GPE MATRIX 10-6T/2.2 EPW	G 2 1/2	G 2 1/2	540	505	865	55	955	570	645	835	1435	85

2GPE MATRIX HYDROCONTROLLER



Booster Type	Dimensions [mm]											Weight [kg]
	DN1	DN2	A	B	C	D	H	N	S	T	V	
2GPE MATRIX 3-3T/0.65 HYD	G 2	G 2	380	325	610	80	980	550	675	865	1460	58
2GPE MATRIX 3-4T/0.65 HYD	G 2	G 2	380	345	635	80	980	550	675	865	1460	59
2GPE MATRIX 3-5T/0.75 HYD	G 2	G 2	380	370	660	80	980	550	675	865	1460	63
2GPE MATRIX 3-6T/0.9 HYD	G 2	G 2	380	395	695	95	980	550	675	865	1460	65
2GPE MATRIX 3-7T/1.3 HYD	G 2	G 2	540	420	765	50	980	570	675	865	1460	80
2GPE MATRIX 3-8T/1.3 HYD	G 2	G 2	540	445	790	50	980	570	675	865	1460	82
2GPE MATRIX 3-9T/1.5 HYD	G 2	G 2	540	465	815	55	980	570	675	865	1460	86
2GPE MATRIX 5-3T/0.65 HYD	G 2	G 2	380	345	635	80	980	550	675	865	1460	59
2GPE MATRIX 5-4T/0.9 HYD	G 2	G 2	380	370	670	95	980	550	675	865	1460	64
2GPE MATRIX 5-5T/1.3 HYD	G 2	G 2	540	395	740	50	980	570	675	865	1460	79
2GPE MATRIX 5-6T/1.3 HYD	G 2	G 2	540	420	765	50	980	570	675	865	1460	79
2GPE MATRIX 5-7T/1.5 HYD	G 2	G 2	540	440	790	55	980	570	675	865	1460	84
2GPE MATRIX 5-8T/2.2 HYD	G 2	G 2	540	465	815	55	980	570	675	865	1460	84
2GPE MATRIX 5-9T/2.2 HYD	G 2	G 2	540	490	840	55	980	570	675	865	1460	85
2GPE MATRIX 10-3T/1.3 HYD	G 2 1/2	G 2 1/2	540	415	775	50	1000	570	680	870	1475	78
2GPE MATRIX 10-4T/1.5 HYD	G 2 1/2	G 2 1/2	540	445	805	55	1000	570	680	870	1475	86
2GPE MATRIX 10-5T/2.2 HYD	G 2 1/2	G 2 1/2	540	475	835	55	1000	570	680	870	1475	87
2GPE MATRIX 10-6T/2.2 HYD	G 2 1/2	G 2 1/2	540	505	865	55	1000	570	680	870	1475	88

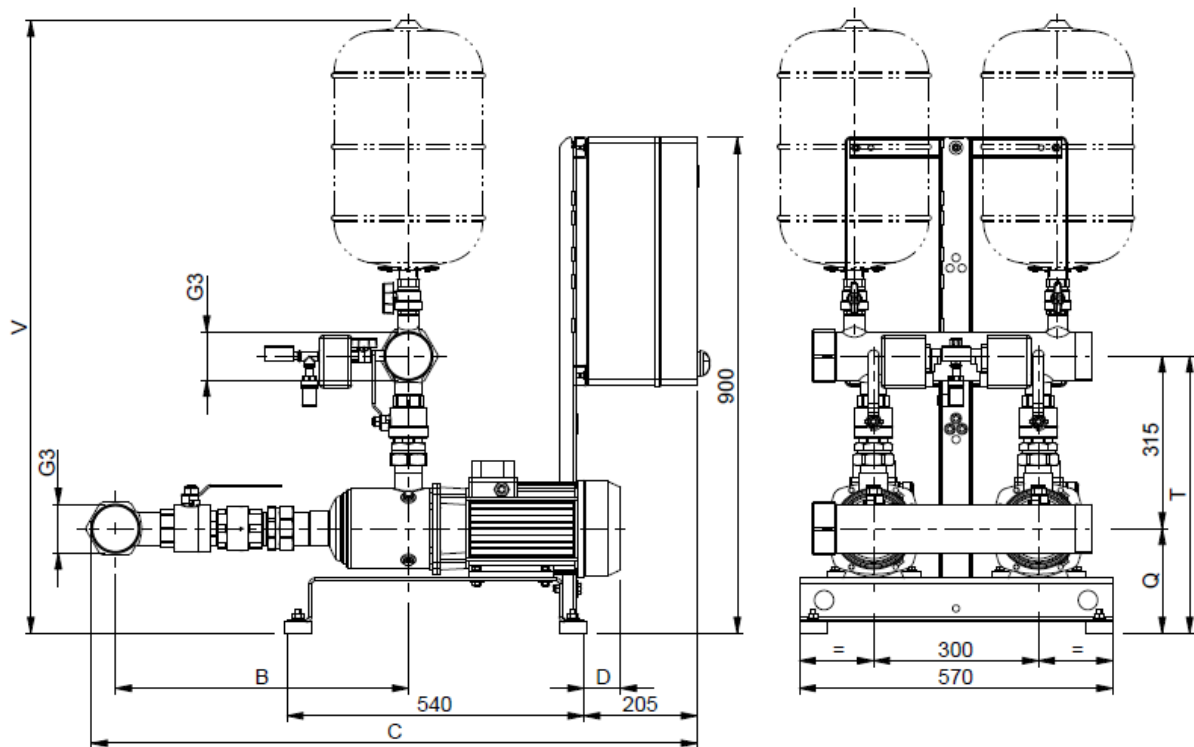
EXTERNAL VIEW 2GPE MATRIX 3-5-10 E-SPD



Booster Type	Dimensions [mm]												Weight [kg]
	DN1	DN2	A	B	C	D	ESPM H	ESPT H	N	S	T	V	
2GPE MATRIX 3-3T/0.65 ESPM	40	40	380	240	531	-	606	-	550	313	503	1093	45
2GPE MATRIX 3-4T/0.65 ESPT(ESPM)	40	40	380	264	555	-	606	612	550	313	503	1093	46
2GPE MATRIX 3-5T/0.75 ESPT(ESPM)	40	40	380	288	579	-	606	612	550	313	503	1093	50
2GPE MATRIX 3-6T/0.9 ESPT(ESPM)	40	40	380	312	603	-	606	612	550	313	503	1093	52
2GPE MATRIX 3-7T/1.3 ESPT(ESPM)	40	40	540	336	680	47	606	612	570	313	503	1093	67
2GPE MATRIX 3-8T/1.3 ESPT	40	40	540	360	707	47	-	612	570	313	503	1093	69
2GPE MATRIX 3-9T/1.5 ESPT	40	40	540	384	728	47	-	612	570	313	503	1093	73
2GPE MATRIX 5-3T/0.65 ESPM	50	40	380	261	558	-	606	-	550	313	503	1093	46
2GPE MATRIX 5-4T/0.9 ESPT(ESPM)	50	40	380	285	582	2	606	612	550	313	503	1093	51
2GPE MATRIX 5-5T/1.3 ESPT(ESPM)	50	40	540	309	658	52	606	612	570	313	503	1093	66
2GPE MATRIX 5-6T/1.3 ESPT(ESPM)	50	40	540	333	682	52	606	612	570	313	503	1093	67
2GPE MATRIX 5-7T/1.5 ESPT	50	40	540	357	707	53	-	612	570	313	503	1093	72
2GPE MATRIX 5-8T/2.2 ESPT	50	40	540	381	731	53	-	612	570	313	503	1093	72
2GPE MATRIX 5-9T/2.2 ESPT	50	40	540	405	755	53	-	612	570	313	503	1093	72
2GPE MATRIX 10-4T/1.5 ESPT	65	65	380	355	717	53	-	667	550	350	540	1143	74
2GPE MATRIX 10-5T/2.2 ESPT	65	65	540	385	747	53	-	667	570	350	540	1143	75
2GPE MATRIX 10-6T/2.2 ESPT	65	65	540	415	777	53	-	667	570	350	540	1143	76

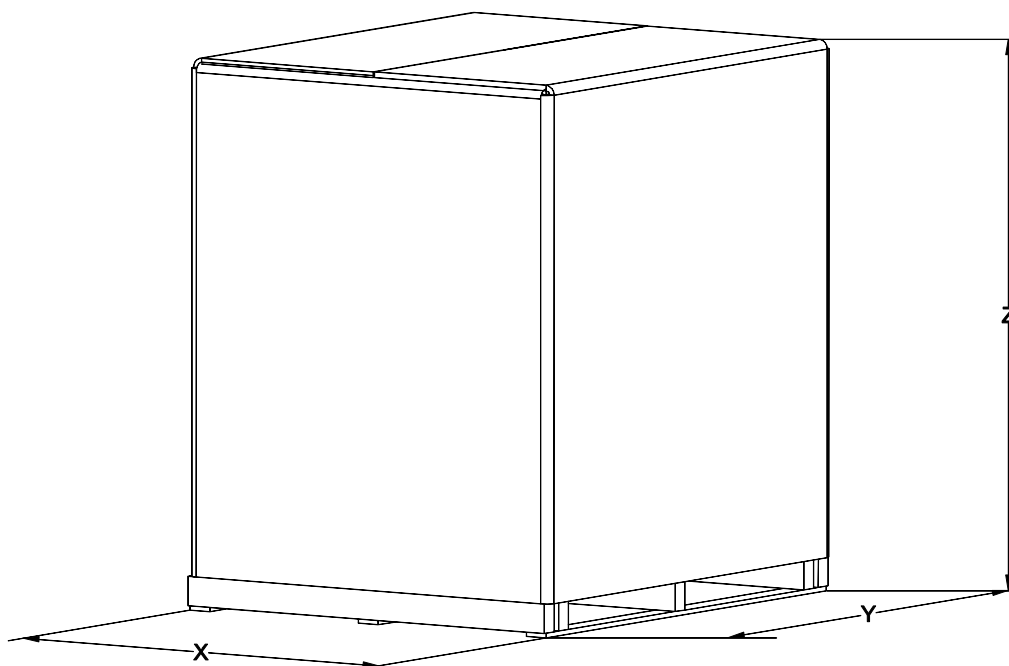
713

2GPE MATRIX EFC/MFC



Booster Type	Dimensions [mm]						Weight [kg]
	B	C	D	Q	T	V	
2GPE MATRIX 18-3T/2.2 EFC	500	1025	55	190	505	1125	110
2GPE MATRIX 18-4T/3 EFC	540	1110	65	190	505	1125	122
2GPE MATRIX 18-5T/4 EFC	575	1150	75	200	515	1135	140
2GPE MATRIX 18-6T/4 EFC	615	1185	75	200	515	1135	142

2GP(E) MATRIX PACKING



2GP MATRIX

	Booster type	Overall dimensions packing			Booster+packing Weight [kg]
		X	Y	Z	
2GP	2GP MATRIX 3-4T/0.65(M)	690	890	780	78
	2GP MATRIX 3-5T/0.75(M)				82
	2GP MATRIX 3-6T/0.9(M)				85
	2GP MATRIX 3-7T/1.3(M)				93
	2GP MATRIX 3-8T/1.3(M)				95
	2GP MATRIX 3-9T/1.5(M)				99
	2GP MATRIX 5-4T/0.9(M)				84
	2GP MATRIX 5-5T/1.3(M)				93
	2GP MATRIX 5-6T/1.3(M)				93
	2GP MATRIX 5-7T/1.5(M)				98
	2GP MATRIX 5-8T/2.2(M)				107
	2GP MATRIX 5-9T/2.2(M)				109
	2GP MATRIX 10-3T/1.3(M)				93
	2GP MATRIX 10-4T/1.5(M)				100
	2GP MATRIX 10-5T/2.2(M)	111			
	2GP MATRIX 10-6T/2.2(M)	112			
	2GP MATRIX 18-3T/2.2(M)	119			
	2GP MATRIX 18-4T/3	127			
	2GP MATRIX 18-5T/4	146			
	2GP MATRIX 18-6T/4	148			

2GPE MATRIX

	Booster type	Overall dimensions packing			Booster+packing Weight [kg]
		X	Y	Z	
2GPE E-POWER	2GPE MATRIX 3-3T/0.65 EPW	690	790	1215	80
	2GPE MATRIX 3-4T/0.65 EPW				81
	2GPE MATRIX 3-5T/0.75 EPW				85
	2GPE MATRIX 3-6T/0.9 EPW	830	1230	1365	87
	2GPE MATRIX 3-7T/1.3 EPW				96
	2GPE MATRIX 5-3T/0.65 EPW				81
	2GPE MATRIX 5-4T/0.9 EPW	830	1230	1365	86
	2GPE MATRIX 5-5T/1.3 EPW				95
	2GPE MATRIX 5-6T/1.3 EPW				95
	2GPE MATRIX 5-7T/1.5 EPW				100
	2GPE MATRIX 10-3T/1.3 EPW				94
	2GPE MATRIX 10-4T/1.5 EPW				102
	2GPE MATRIX 10-5T/2.2 EPW				103
	2GPE MATRIX 10-6T/2.2 EPW	104			
2GPE HYDROCONTROLLER	2GPE MATRIX 3-3T/0.65 HYD	690	790	1215	83
	2GPE MATRIX 3-4T/0.65 HYD				84
	2GPE MATRIX 3-5T/0.75 HYD				88
	2GPE MATRIX 3-6T/0.9 HYD	830	1230	1365	90
	2GPE MATRIX 3-7T/1.3 HYD				99
	2GPE MATRIX 3-8T/1.3 HYD				101
	2GPE MATRIX 3-9T/1.5 HYD				105
	2GPE MATRIX 5-3T/0.65 HYD				84
	2GPE MATRIX 5-4T/0.9 HYD	830	1230	1365	89
	2GPE MATRIX 5-5T/1.3 HYD				98
	2GPE MATRIX 5-6T/1.3 HYD				98
	2GPE MATRIX 5-7T/1.5 HYD				103
	2GPE MATRIX 5-8T/2.2 HYD				103
	2GPE MATRIX 5-9T/2.2 HYD				104
	2GPE MATRIX 10-3T/1.3 HYD				97
	2GPE MATRIX 10-4T/1.5 HYD				105
	2GPE MATRIX 10-5T/2.2 HYD	106			
	2GPE MATRIX 10-6T/2.2 HYD	107			

	Booster type	Overall dimensions packing			Booster+packing Weight [kg]
		X	Y	Z	
2GPE E-SPD	2GPE MATRIX 3-3T/0.65 ESPM	690	890	780	70
	2GPE MATRIX 3-4T/0.65 ESPT(ESPM)				71
	2GPE MATRIX 3-5T/0.75 ESPT(ESPM)				75
	2GPE MATRIX 3-6T/0.9 ESPT(ESPM)				77
	2GPE MATRIX 3-7T/1.3 ESPT(ESPM)				86
	2GPE MATRIX 3-8T/1.3 ESPT				88
	2GPE MATRIX 3-9T/1.5 ESPT				92
	2GPE MATRIX 5-3T/0.65 ESPM				71
	2GPE MATRIX 5-4T/0.9 ESPT(ESPM)				76
	2GPE MATRIX 5-5T/1.3 ESPT(ESPM)				85
	2GPE MATRIX 5-6T/1.3 ESPT(ESPM)				86
	2GPE MATRIX 5-7T/1.5 ESPT				91
	2GPE MATRIX 5-8T/2.2 ESPT				91
	2GPE MATRIX 5-9T/2.2 ESPT				91
	2GPE MATRIX 10-4T/1.5 ESPT				93
	2GPE MATRIX 10-5T/2.2 ESPT				94
2GPE MATRIX 10-6T/2.2 ESPT	95				
2GPE (EFC)	2GPE MATRIX 18-3T/2.2 EFC	830	1230	1365	129
	2GPE MATRIX 18-4T/3 EFC				147
	2GPE MATRIX 18-5T/4 EFC				165
	2GPE MATRIX 18-6T/4 EFC				167

INTENTIONALLY EMPTY PAGE

CONTROL PANEL FIXED SPEED

2 EP-E SPECIFICATION

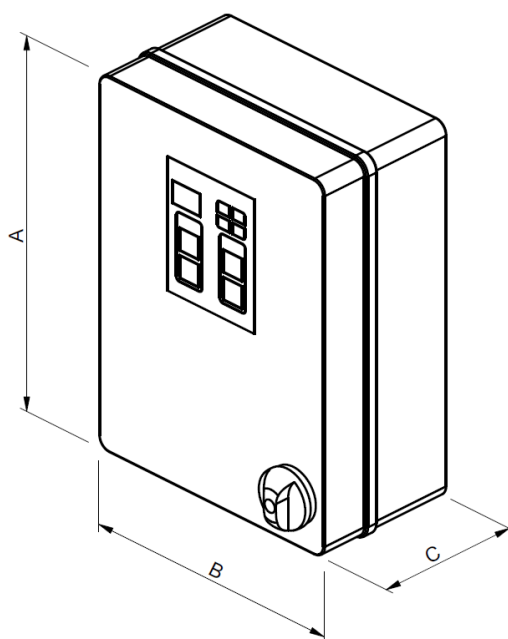
- **SERIES 2EP-E M UA (single-phase power output)**
- **SERIES 2EP-E T UA (three-phase power output)**

Electrical panel (protection and control) for two electropumps. Manual or automatic operation through pressure transmitter or/and pressure switches. The panel is configured to start the two pumps alternately in stand-by to pressure transmitter or/and pressure switch. The electrical panel protects the motors against overload and phase failure. Any protection devices that intervene are signalled on the panel itself and remotely through no voltage contacts. The protection device against overload and phase failure resets automatically three times, and manually after the fourth intervention.

TECHNICAL FEATURES

- P.MIN= Operation against dry running (tripped by a level float or minimum pressure switch) with automatic reset once water supply is restored, with warning lamp.
- TRP= control by pressure transmitter
- PR1= Pump n. 1 start/stop (not included in the pressure set)
- PR2= Pump n. 2 start/stop (not included in the pressure set)
- Automatic start sequence alternation
- Motor protection against overload with automatic reset for three times and manual reset the fourth time
- Motor line protection against short-circuits with fuses for motor startup
- Transformer and auxiliary circuit protection with fuses
- Remote signalling, through NC-NO no voltage contact, of the protection devices that intervene

Version		2EP-E M UA	2EP-E T UA
Power source	Frequency	50/60 Hz	
	Phase	Single-phase	Three-phase
	Voltage	230 V ± 10%	400 V ± 10%
	Power	0.55 ÷ 2.2 kW	1.1 ÷ 7.5 kW
Others	Protection degree	IP 56	
	Ambient Temperature	-10°C + 50°C up to 7.5 kW	
	Pressurisation units	2 pumps	
	Relative humidity	50% a 40°C MAX (90% a 20°C)	
	Max altitude	1000 m (a.s.l.)	
Directives	2014/35/EU (LVD), 2014/30/EU (EMC), 2011/65/EU (RoHS)		



2EP-E M UA MODELS TABLE

Model	Single pump Power [kW]	I Calibration [A]	Motor fuse	Dimensions AxBxC [mm]	Weight [kg]
2EP-E 0,55 M	0,55	2x4,5	6A aM (10x38)	240 x 190 x 90	1,5
2EP-E 1,1 M	1,1	2x9	10A aM (10x38)	240 x 190 x 90	1,5
2EP-E 1,5 M	1,5	2x12	12A aM (10x38)	240 x 190 x 90	1,5
2EP-E 2,2 M	2,2	2x15	20A aM (10x38)	300 x 220 x 120	2,2

2EP-E T UA MODELS TABLE

Model	Single pump Power [kW]	I Calibration [A]	Motor fuse	Dimensions AxBxC [mm]	Weight [kg]
2EP-E 1,1 T	1,1	2x3.5	4A am (10x38)	300 x 220 x 120	3,5
2EP-E 2,2 T	2,2	2x5	8A am (10x38)	300 x 220 x 120	3,5
2EP-E 4 T	4	2x9	12A am (10x38)	300 x 220 x 120	3,5
2EP-E 7,5 T	7,5	2x15	20A am (10x38)	300 x 220 x 120	3,5

Notes: 4 pumps version are available with EP control panel on request

802

EBARA Pumps Europe

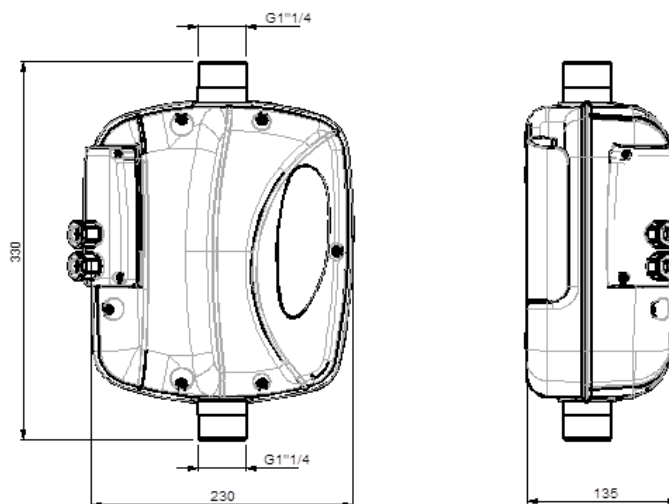
EBARA Pumps Europe reserves the right to make changes without prior notice



CONTROL PANEL VARIABLE SPEED E-POWER SPECIFICATION

In-line electronic device for controlling electropumps, employing inverter technology. Starts and stops the pump and modulates the speed of the motor in relation to the water demand on the system, to maintain the operating pressure setting. Provides excellent comfort for the end user, significant energy savings and increased service life, the typical advantages of inverter controlled autoclave systems. E-power use the Master/slave mode that allows to connect two inverters on the same system in order to improve its performance in a coordinate mode. The connection for this mode is made by communication line ON/OFF.

E-POWER MT		
Power	Power Voltage	Single-phase 230 V
	Output Voltage (pump)	Three-phase 230 V
	Phase current	Max 10 A
	Output frequency	5 ÷ 60Hz
	Maximum pump power	2.2 kW
Others	Pressure setpoint	0.3 ÷ 8 bar
	Max overpressure	12 bar
	Protection degree	IP 65
	Ambient Temperature	0 ÷ 40°C
	Liquid temperature	+1 ÷ 40°C
	Liquid type	Water with no chemical add (ph 5÷9) and no debris
	Pressurisation units	2 pumps
	Hydraulic Connection	G1"1/4 Male
	Weight	2 kg
	Protection	Dry-running Over/under voltage Short-circuit Overload Overtemperature Low pressure Pressure sensor fault
Directives	2014/35/EU (LVD), 2014/30/EU (EMC), 2011/65/EU (RoHS)	

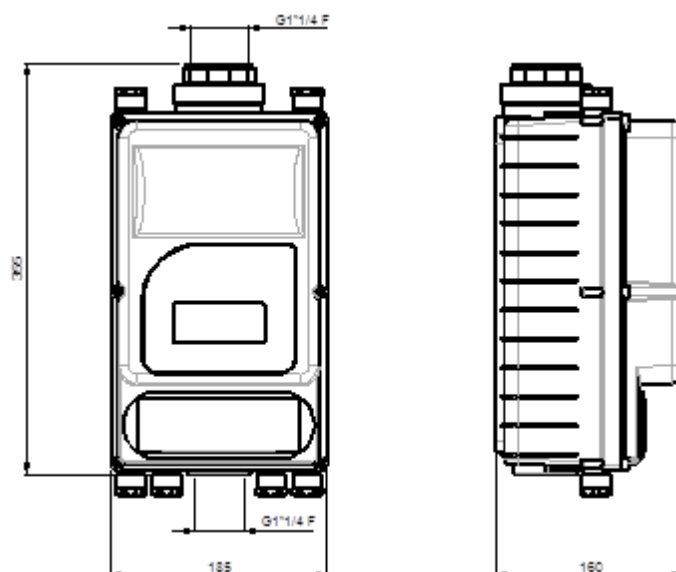


803

HYDROCONTROLLER SPECIFICATION

Professional in-line electronic device for controlling electropumps, employing inverter technology. Starts and stops the pump and modulates the speed of the motor in relation to the water demand on the system, to maintain the operating pressure setting. Suited to creating pressurisation units up to 8 pumps. Provides excellent comfort for the end user, significant energy savings and increased service life, the typical advantages of inverter controlled autoclave systems. Hydrocontroller is connected in multipumps configuration composed from an inverter master that can drive up to 7 inverters Slave.

HYDROCONTROLLER TT			
Power	Power Voltage	Three-phase 400 V	
	Output Voltage (pump)	Three-phase 400 V	
	Phase current	Max 6 A	
	Output frequency	10 ÷ 60Hz	
	Maximum pump power	2.2 kW	
Others	Pressure setpoint	0.3 ÷ 7.5 bar (±0.2)	
	Max overpressure	12 bar	
	Protection degree	IP 65	
	Ambient Temperature	0 ÷ 40°C	
	Liquid temperature	+1 ÷ 40°C	
	Liquid type	Water with no chemical add (ph 5÷9) and no debris	
	Pressurisation units	2 pumps	
	Input / output	G1"1/4 Female	
	Weight	4 kg	
	Protection	Dry-running	
		Over/under voltage	
Short-circuit			
Overload			
Overtemperature			
Low pressure			
Pressure sensor fault			
Directives	2014/35/EU (LVD), 2014/30/EU (EMC), 2011/65/EU (RoHS)		

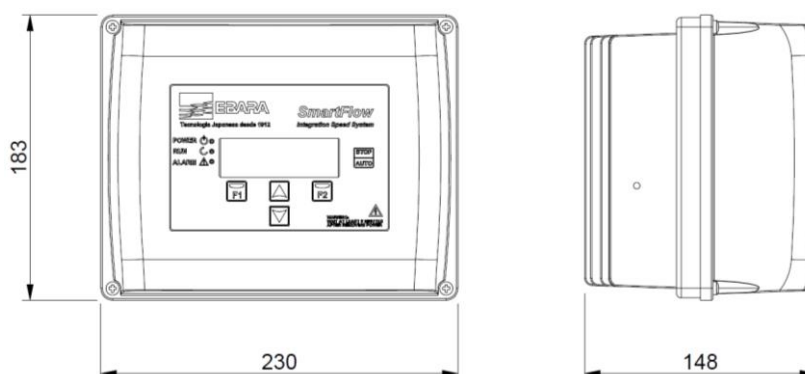


804

E-SPD SPECIFICATION

In-line electronic device for controlling electropumps, employing inverter technology. Starts and stops the pump and modulates the speed of the motor in relation to the water demand on the system, to maintain the operating pressure setting. Provides excellent comfort for the end user, significant energy savings and increased service life, the typical advantages of inverter controlled autoclave systems. E-SPD is an inverter that could be installed on the terminal box. It can be adapted on horizontal and vertical pumps. E-SPD can protect the system against overpressure, overcurrent, voltage fluctuation, dry run and water leak. The connection for this mode is made by communication line ON/OFF.

E-SPD				
Power	Version	MT	TT	
	Power Voltage	Single-phase 230 V	Three-phase 400 V	
	Output Voltage (pump)	Three-phase 230 V	Three-phase 400 V	
	Output frequency	50 ÷ 60Hz		
	Maximum pump power	2.2 kW	4 kW	
	Max I in	20 A	12 A	
	Max I out	11 A	11 A	
Others	Pressure setpoint	0.5 ÷ 25 bar		
	Protection degree	IP 55		
	Ambient Temperature	-10 ÷ 40°C		
	Pressurisation units	2-3 pumps		
	Weight	2,7 Kg		
	Protection	Dry-running		
		Over/under voltage		
		Short-circuit		
		Overload		
Overtemperature				
Low pressure				
Pressure sensor fault				
Directives	2014/35/EU (LVD), 2014/30/EU (EMC), 2011/65/EU (RoHS)			



SP (EFC and MFC) SPECIFICATION

The control panels SP EFC/MFC series inverters modulate the operation of electropumps in response to control by the pressure transmitter (transducer measuring flow or other external signal 4-20 mA), regulating the speed of the electropumps to keep system demand constant. If the electronic controller or pressure transmitter fails, a system of pressure switches controls the pumps directly (if present).

VERSION

- "EFC": Control panel for two or more electric pumps, with a single inverter with pump exchange
- "MFC": Control panel for two or more electric pumps, with an inverter for each individual electropump

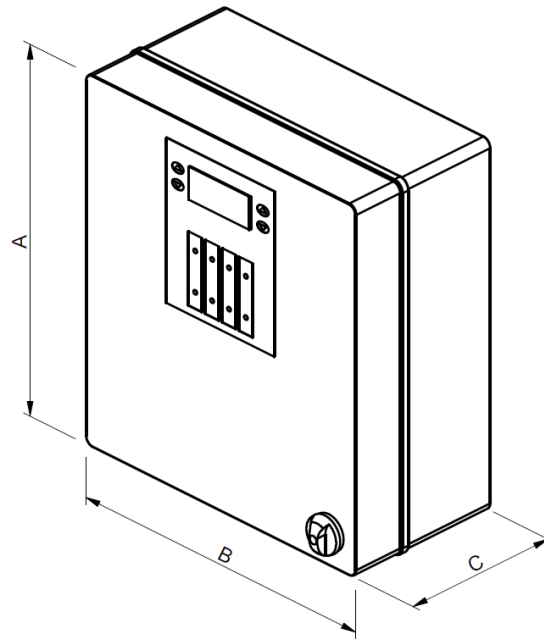
EFC / MFC		
Power	Power Voltage	Three-phase 400 V
	N° phases	Three phase without the use of neutral
	Frequence	50/60Hz
	Pump power	From 1.5kW up to 30kW
	Protection degree	IP55 up to 2.2kW IP44 3kW and above
	Ambient Temperature	-10°C + 40°C
	Pressurisation units	2 or 3 pumps
Directives	2014/35/EU (LVD), 2014/30/EU (EMC), 2011/65/EU (RoHS)	

Single inverter with exchange pump (SP EFC)

Panel type	Pump motor power (Three-phase)	Starting (Emergency / fixed speed pumps)	Option
2/3 pumps	1.5÷7.5 kW	Direct	Inverter pump Exchange
	11÷30kW	Star-Delta	

Multi-inverter: one inverter for each pump (SP MFC)

Panel type	Pump motor power (Three-phase)	Starting (Emergency / fixed speed pumps)
2/3 pumps	1.5 - 7,5 kW	Inverter ramp
	11 - 30 KW	Inverter ramp



2SP EFC MODELS TABLE

Model	Motor power [kW]	Current [A]	Dimensions A-B-C [mm]	Weight [Kg]
2SP EFC 1,5T-2	2x1.5	2x3,7	450x400x200	25
2SP EFC 2,2T-2	2x2.2	2x5,3	450x400x200	25
2SP EFC 3T-2	2x3	2x7,2	450x400x250	25
2SP EFC 4T-2	2x4	2x9	450x400x250	25
2SP EFC 5,5T-2	2x5.5	2x12	450x400x250	27
2SP EFC 7,5T-2	2x7.5	2x15,5	450x400x250	27
2SP EFC 11SD-2	2x11	2x23	800x800x300	32
2SP EFC 15SD-2	2x15	2x31	800x800x300	32
2SP EFC 18,5SD-2	2x18.5	2x37	1000x800x300	32
2SP EFC 22SD-2	2x22	2x43	1000x800x300	36
2SP EFC 30SD-2	2x30	2x61	1200x800x300	36

3SP EFC MODELS TABLE

Model	Motor power [kW]	Current [A]	Dimensions A-B-C [mm]	Weight [Kg]
3SP EFC 1,5T-2	3x1.5	3x3,7	450x400x200	25
3SP EFC 2,2T-2	3x2.2	3x5,3	450x400x200	25
3SP EFC 3T-2	3x3	3x7,2	450x400x250	25
3SP EFC 4T-2	3x4	3x9	450x400x250	25
3SP EFC 5,5T-2	3x5.5	3x12	450x400x250	33
3SP EFC 7,5T-2	3x7.5	3x15,5	450x400x250	33
3SP EFC 11SD-2	3x11	3x23	800x800x300	38
3SP EFC 15SD-2	3x15	3x31	800x800x300	38
3SP EFC 18,5SD-2	3x18.5	3x37	1000x800x300	38
3SP EFC 22SD-2	3x22	3x43	1000x800x300	42
3SP EFC 30SD-2	3x30	3x61	1200x800x300	42

2SP MFC MODELS TABLE

Model	Motor power [kW]	Current [A]	Dimensions A-B-C [mm]	Weight [Kg]
2SP EFC 1,5T-2	2x1.5	2x3.7	500x400x200	28
2SP EFC 2,2T-2	2x2.2	2x5.3	500x400x200	28
2SP EFC 3T-2	2x3	2x7.2	500x400x250	28
2SP EFC 4T-2	2x4	2x9	600x400x250	28
2SP MFC 5,5T-2	2x5.5	2x12	600x400x250	28
2SP MFC 7,5T-2	2x7.5	2x15,5	600x600x250	28
2SP MFC 11T-2	2x11	2x23	800x600x300	60
2SP MFC 15T-2	2x15	2x31	800x600x300	60
2SP MFC 18,5T-2	2x18.5	2x37	800x600x300	60
2SP MFC 22T-2	2x22	2x43	800x800x300	65
2SP MFC 30T-2	2x30	2x61	1600x800x400	65

3SP MFC MODELS TABLE

Model	Motor power [kW]	Current [A]	Dimensions A-B-C [mm]	Weight [Kg]
3SP MFC 1,5T-2	3x1.5	3x3.7	800x600x250	33
3SP MFC 2,2T-2	3x2.2	3x5.3	800x600x250	33
3SP MFC 3T-2	3x3	3x7.2	800x600x250	33
3SP MFC 4T-2	3x4	3x9	800x600x250	33
3SP MFC 5,5T-2	3x5.5	3x12	800x600x250	33
3SP MFC 7,5T-2	3x7.5	3x15,5	800x600x250	33
3SP MFC 11T-2	3x11	3x23	800x800x300	75
3SP MFC 15T-2	3x15	3x31	1000x800x300	75
3SP MFC 18,5T-2	3x18.5	3x37	1200x800x300	75
3SP MFC 22T-2	3x22	3x43	1200x800x400	83
3SP MFC 30T-2	3x30	3x61	1600x1000x400	83

Notes: Standard Control panels EP SD three-phase are available for 1, 2, 3 pumps until 30kW power; 4 pumps version or power from 37kW and above are available on request

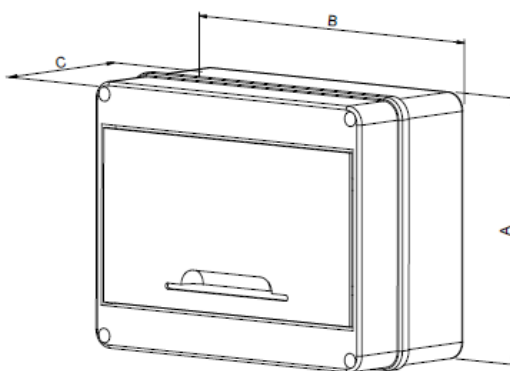
809

PROTECTION PANEL SPECIFICATION

Connection box for inverter :

- Connects the inverters with the power supply point.
- Equipped with circuit breakers on individual lines

Power source	Frequency	50/60 Hz	
	Phase	Single-phase	Three-phase
	Voltage	230 V ± 10%	400 V ± 10%
	Power	0.37 ÷ 3 kW	0.37 ÷ 15 kW
Others	Protection degree	IP 55	
	Ambient Temperature	-5°C + 40°C	
	Pressurisation units	2 pumps	
	Relative humidity	50% a 40°C MAX (90% a 20°C)	
	Max altitude	1000 m (a.s.l.)	
Directives	2014/35/EU (LVD), 2014/30/EU (EMC), 2011/65/EU (RoHS)		



Model	N° Pumps	Power [kW]	Dimensions A-B-C [mm]	Max Current [A]
PROT 2E-DR 1.5-3M	2	2x3	160x120x90	2x20
PROT 2E-DR 4T		2x4	160x200x90	2x16
PROT 2E-DR 5.5T		2x5.5	160x200x90	2x20
PROT 2E-DR 7.5T		2x7.5	160x200x90	2x25
PROT 2E-DR 15T		2x15	160x200x90	2x32
PROT 3E-DR 1.5-3M	3	3x3	160x120x90	3x20
PROT 3E-DR 4T		3x4	200x250x110	3x16
PROT 3E-DR 5.5T		3x5.5	200x250x110	3x20
PROT 3E-DR 7.5T		3x7.5	200x250x110	3x25
PROT 3E-DR 15T		3x15	200x250x110	3x32

810

EBARA Pumps Europe





EBARA Pumps Europe S.p.A.

Via Torri di Confine 2/1 int. C
36053 Gambellara (Vicenza), Italy
Phone +39 0444 706811
Fax +39 0444 405811
ebara_pumps@ebaraeurope.com
www.ebaraeurope.com

EBARA Corporation

11-1, Haneda Asahi-cho, Ohta-ku,
Tokyo 144-8510
Japan
Phone +81 3 6275 7598
Fax +81 3 5736 3193
www.ebara.com

