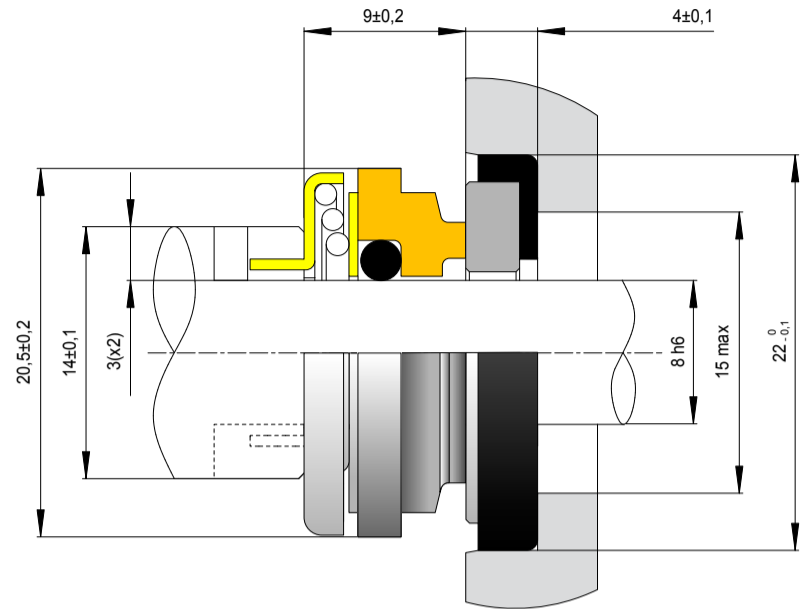
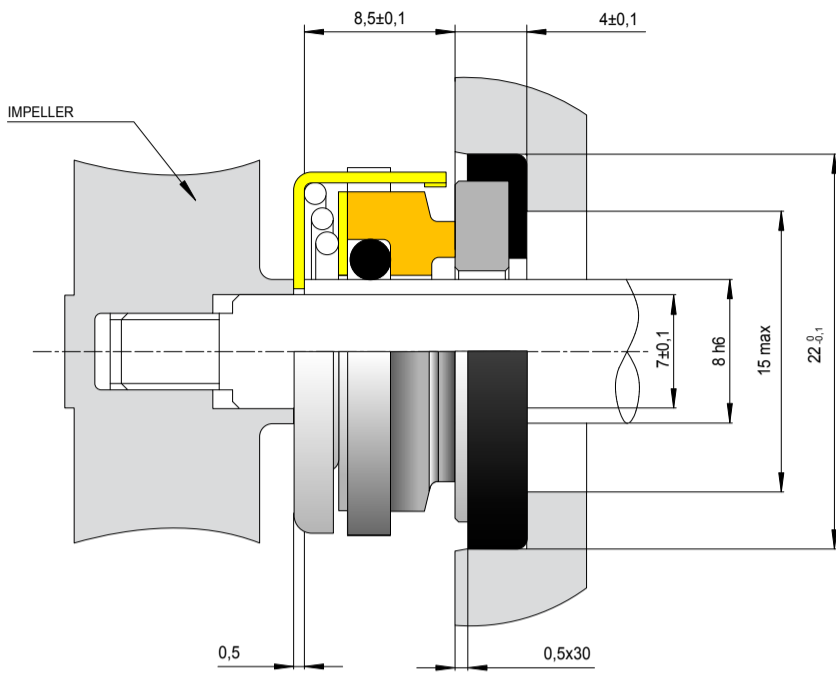


FR

FR-TP



Operational limits - Standard components - DIN 24960	
P	6 bar
V	8 m/s
T	-35 +200°C

Metal parts	G	F	-	-
Spring	G	F	F1	-
Elastomeric parts	P-P1-P3-P4	E	V	-
Primary Ring	B	A	Y1	Y2
Mating Ring	V	G-E	U-Q	-

Mecflon™
 THE PTFE TECHNOLOGY



	Description	d1	d3	l3	d4	d7	l4	l1	
6,35	20,5	9	6,35	20,5	9	25	22	4	13
8	20,5	9	8	20,5	9	25	22	4	13