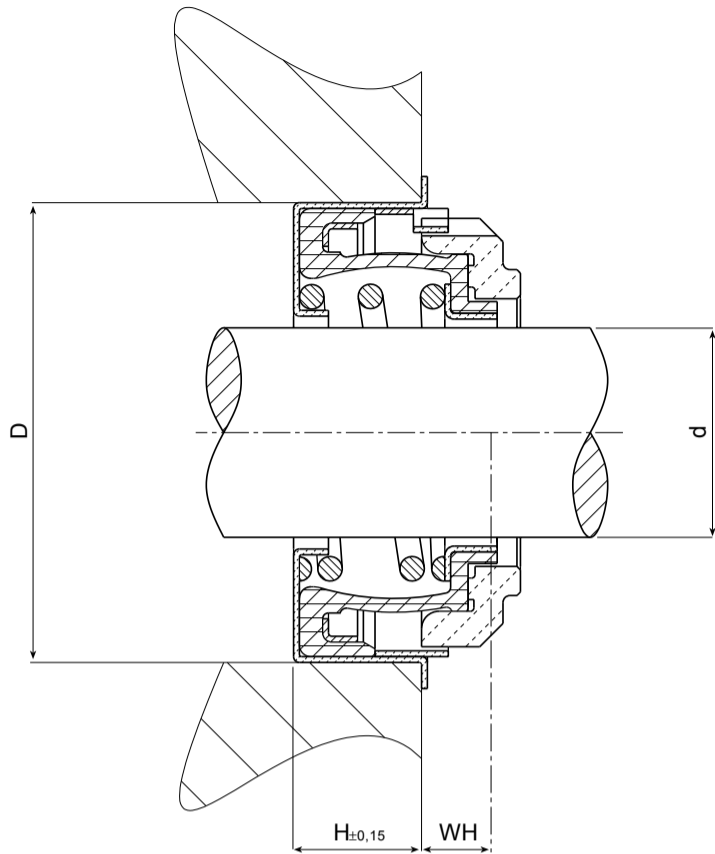


L series



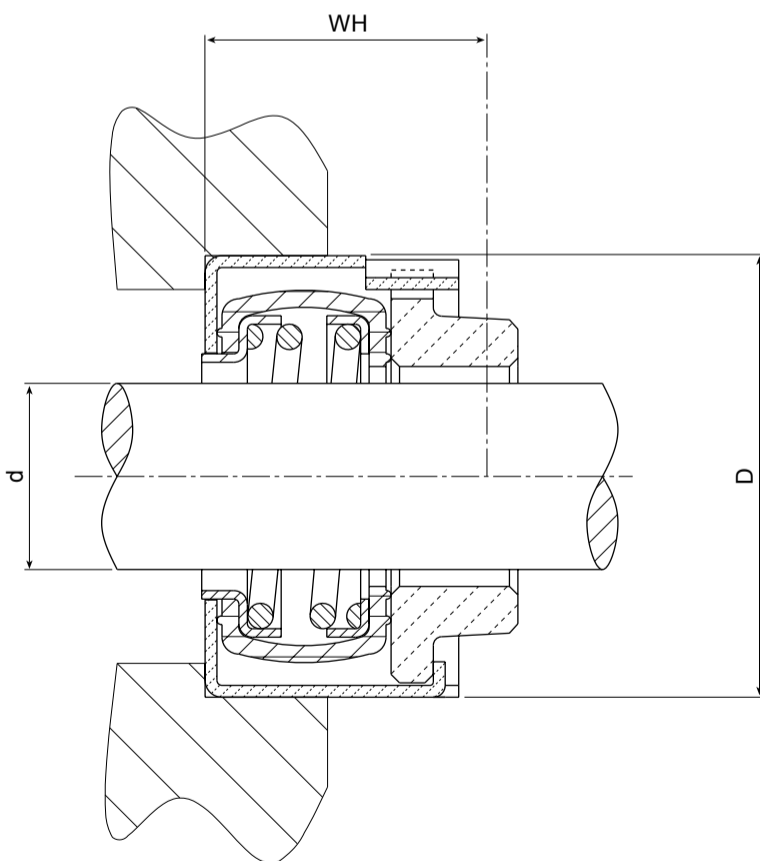
Operational limits - Standard components - DIN 24960	
P	4 bar
V	12 m/s
T	-35 +120°C

Metal parts	T1	-	-	-
Spring	F	-	-	-
Elastomeric parts	P	-	-	-
Primary Ring	B	-	-	-
Mating Ring	-	-	-	-



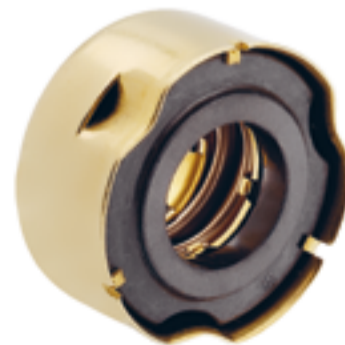
Type	Description			d	D	WH	H
L-1	20	40,1	6,5	19	39,90÷40,03	6,5	11

T1 series



Operational limits - Standard components - DIN 24960	
P	4 bar
V	12 m/s
T	-35 +120°C

Metal parts	T1	-	-	-
Spring	D	-	-	-
Elastomeric parts	P	-	-	-
Primary Ring	B	-	-	-
Mating Ring	-	-	-	-



M - MTU code: initial installation A - Alternative code: initial installation

Type	Description			d	D	WH	M	A
T1-3	16	36,6	15,5	16	36,449÷36,474	15,5±0,4	4300391 7300032	4138766 4138765