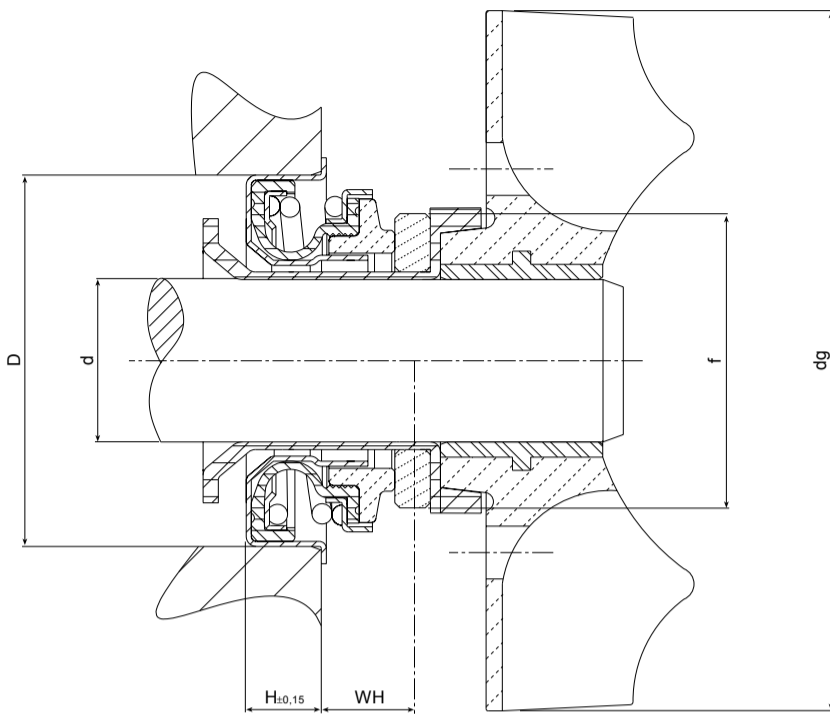
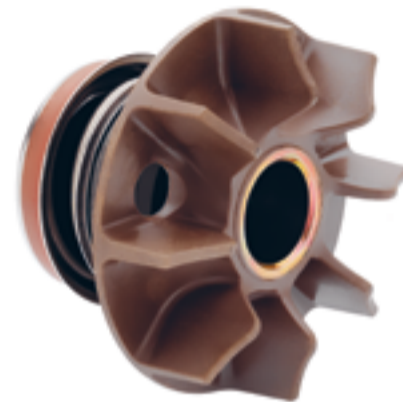


UGG series



Operational limits - Standard components - DIN 24960	
P	4 bar
V	12 m/s
T	-35 +150°C

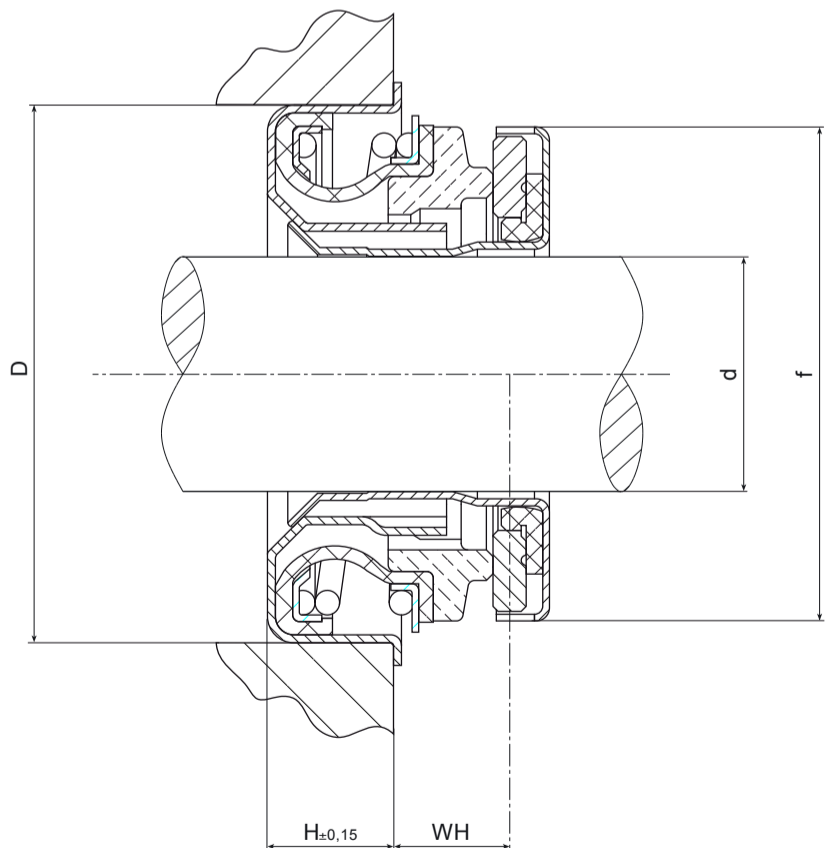
Metal parts	F1	-	-	-
Spring	F	-	-	-
Elastomeric parts	P4	-	-	-
Primary Ring	C	-	-	-
Mating Ring	Q	-	-	-



M - MTU code: initial installation

Type	Description	d	D	WH	H	f	dg	M
UGG-1	16 36,6	12,2	15,918÷16	36,449÷36,474	12,5±0,75	7,4	28,5±0,3	68,7 9627769480
UGG-2	16 36,6	12,2	15,918÷16	36,449÷36,474	12,5±0,75	7,4	28,5±0,3	71,5 9628838280

UPD2 series



Operational limits - Standard components - DIN 24960	
P	4 bar
V	12 m/s
T	-35 +150°C

Metal parts	F1	-	-	-
Spring	F	-	-	-
Elastomeric parts	P4	-	-	-
Primary Ring	Q	-	-	-
Mating Ring	Q1	C	-	-



Type	Description	d	D	WH	H	f
UPD2	16 36,45	11,2	15,905÷16,000	36,45÷	11,2±0,1	8,2±0,15 32,5±0,2
UPD2	15 36,45	11,2	14,905÷15,000	36,45÷	11,2±0,1	8,2±0,15 32,5±0,2