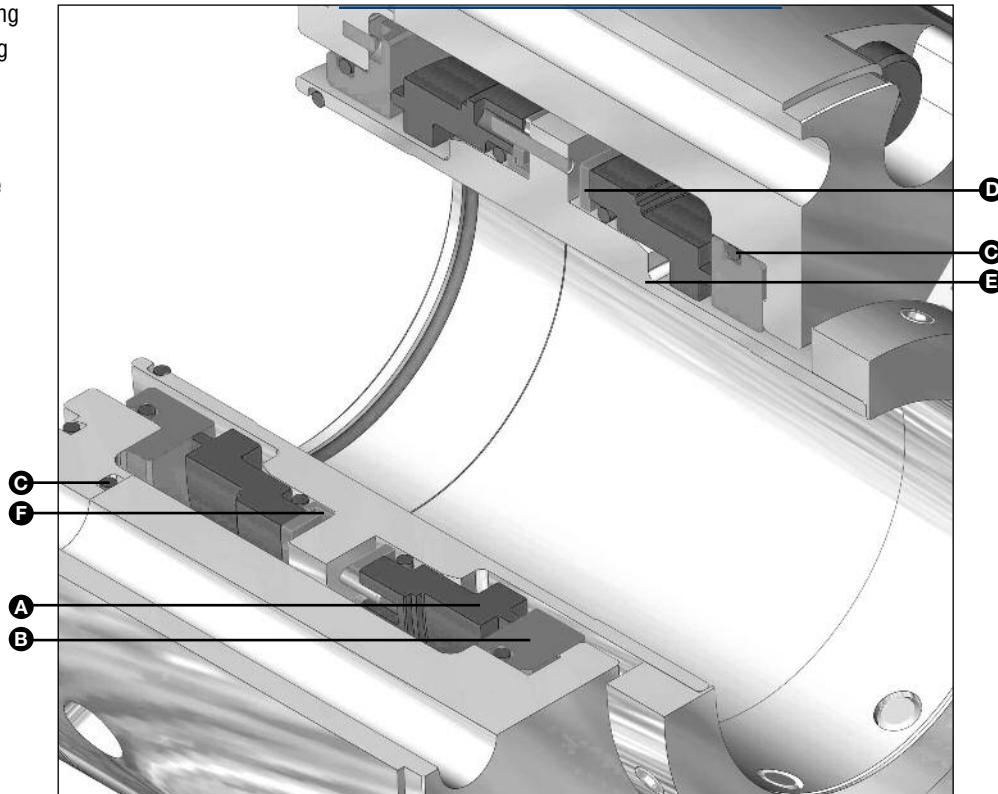




- A – Face/Primary Ring
- B – Seat/Mating Ring
- C – O-ring
- D – Disc
- E – Sleeve
- F – Retaining Sleeve



Product Description

The Universal Vessel Seal 7800 Series is a modular cartridge seal for use in a wide variety of mixing and agitating equipment and covering a broad application range. The 7848D and 7848W are dry running and wet running heavy duty cartridge double seals. The Universal Vessel Seal uses modular hardware which provides maximum interchangeability. Four combinations of seal face technology provide the user with unmatched flexibility and value.

- Type 7848D is the latest proprietary face materials are used in a dry nitrogen barrier where seal faces exhibit virtually no wear. Robust drive system minimizes primary ring to hardware contact – eliminating seal face hang up while creating a highly flexible seal head. The seal is reverse pressure balanced and will remain closed in the event that barrier gas pressure is lost. Materials of construction are FDA approved.
- Where process or application conditions require a liquid barrier, the 7848W is a heavy duty cartridge double seal that is liquid lubricated. The 7848W uses hardware which is identical to the 7848D. All materials are FDA approved.

Performance Capabilities

- Temperature: -40°C to 205°C/-40°F to 400°F
- Pressure: vacuum to 14.5 bar g/210 psig barrier pressure*
- Speed: 0 to 400 fpm/2 m/s
- Runout: 3.18mm/0.125" max. radial
- Axial movement: 2.36mm/0.093" max.

*For Higher Pressure Consult John Crane

Design Features

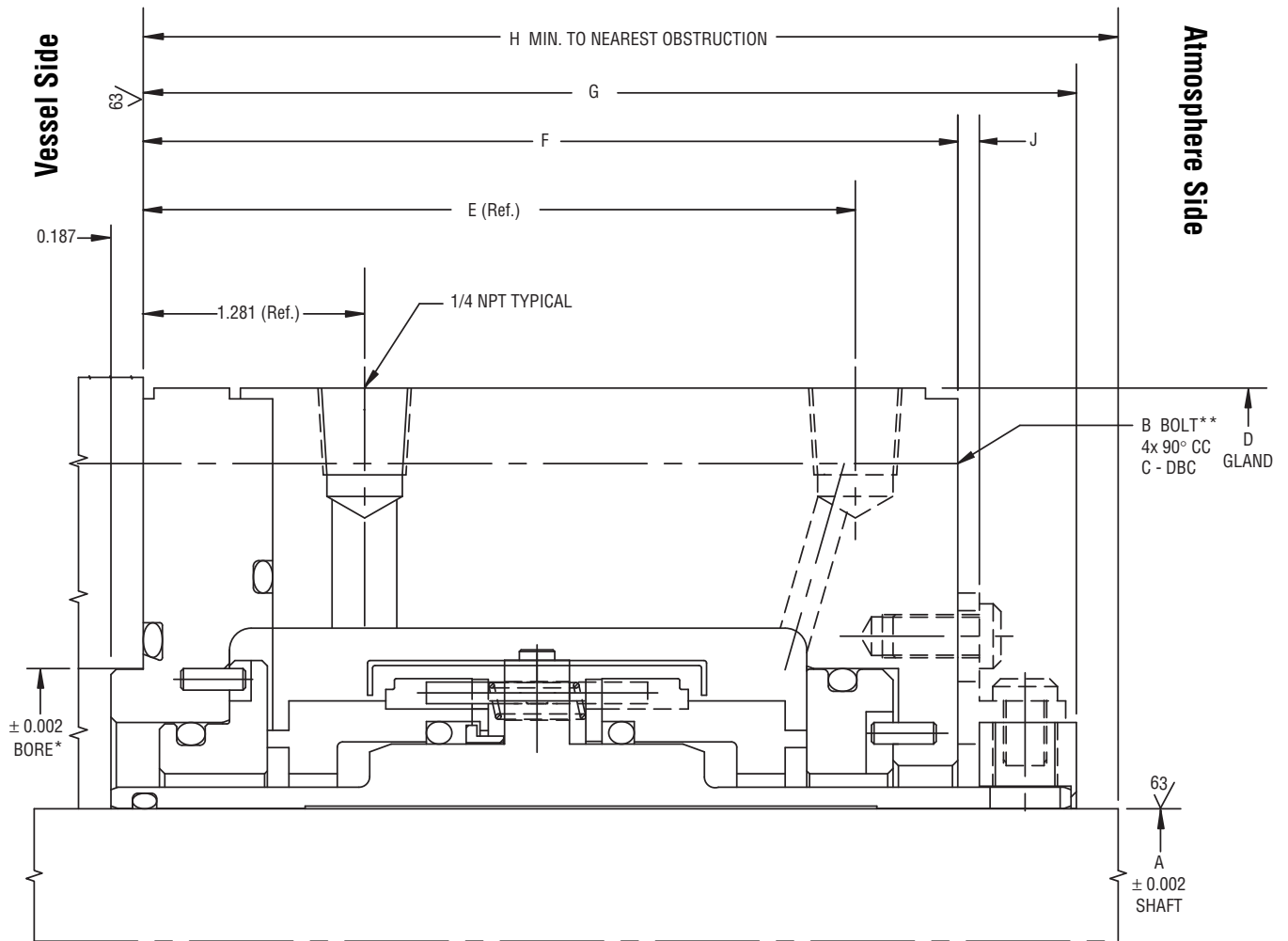
- John Crane's dry running experience and research have resulted in proprietary materials and optimized combinations ensuring superior wear characteristics even in rigorous applications.
- Double cartridge uses common springs allowing for self adjustment to axial motion. This maintains precise face loading to both seal faces in the presence of shaft movement.
- Optimized drive minimizes seal face to seal cartridge hardware interaction eliminating low speed hang-up.
- Completely modular design Universal Vessel Seal offers maximum application flexibility.

Note: Modular bearing housing and debris well are optional on both seals.

TYPE 7800 SERIES

7848D/7848W UNIVERSAL VESSEL SEAL

Type 7848D/7848W Typical Arrangement



* Turn diameter designed to fit specific equipment.

** Bolting pattern to be customized to specific unit dimension.

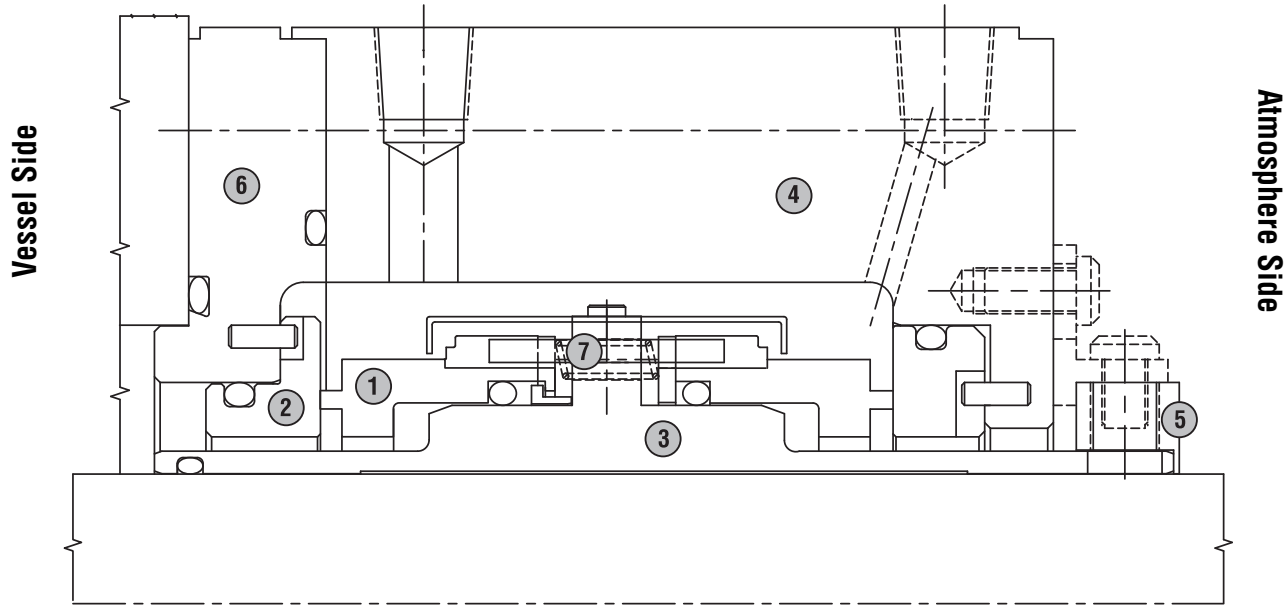
Type 7848D/7848W Dimensional Data (inches)

Shaft Size Range	A	B	C	D	E	F	G	H	J
Up to 1.500	1.500	0.375	4.625	5.343	3.375	3.968	4.656	4.781	0.094
1.625 - 2.000	2.000	0.500	5.500	6.500	4.125	4.718	5.437	5.562	0.125
2.125 - 2.500	2.500	0.500	6.000	7.000	4.125	4.718	5.437	5.562	0.125
2.625 - 3.000	3.000	0.500	6.500	7.500	4.125	4.718	5.437	5.562	0.125
3.125 - 3.500	3.500	0.500	7.000	8.000	4.125	4.718	5.437	5.562	0.125
3.625 - 4.000	4.000	0.500	7.500	8.500	4.125	4.718	5.437	5.562	0.125
4.125 - 4.500	4.500	0.500	8.000	9.000	4.125	4.718	5.437	5.562	0.125
4.625 - 5.000	5.000	0.500	9.000	9.875	4.125	4.718	5.437	5.562	0.125

TYPE 7800 SERIES

7848D/7848W UNIVERSAL VESSEL SEAL

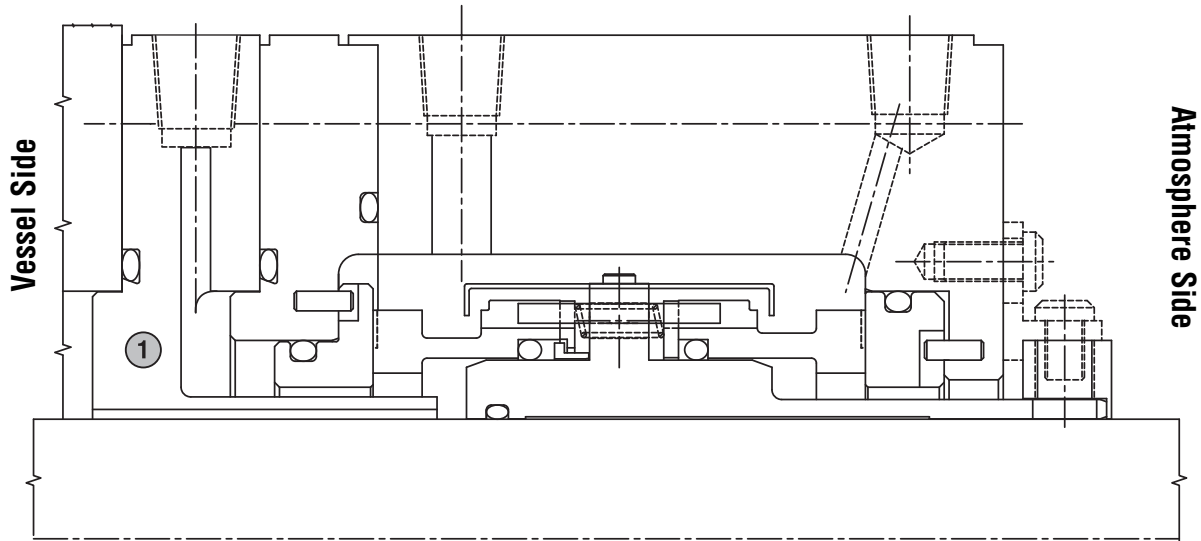
Type 7848D/7848W Typical Arrangement



Materials of Construction

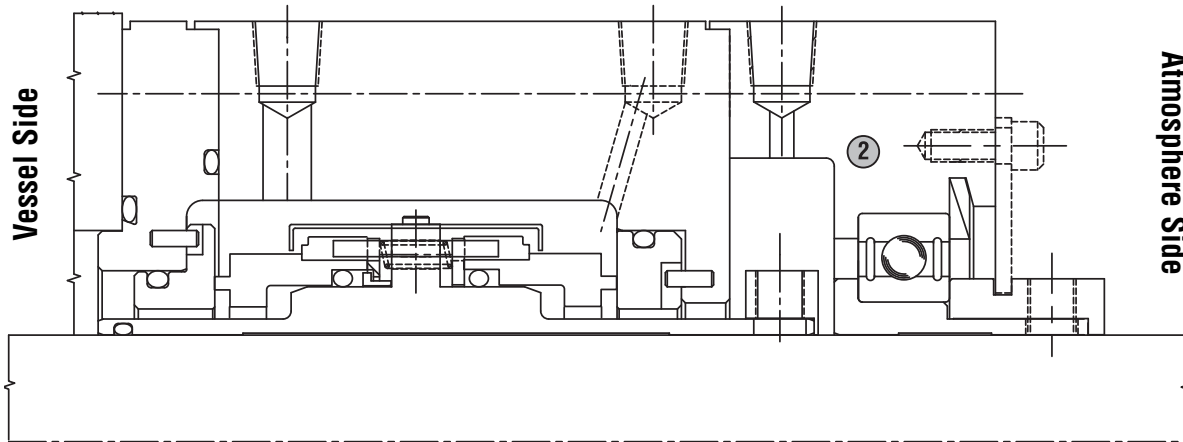
SEAL COMPONENTS	MATERIALS	
	Standard	Options
Description		
1 - Face/Primary Ring	Carbon	—
2 - Seat/Mating Ring	Silicon Carbide	Tungsten Carbide
3 - Sleeve	316 Stainless Steel	Alloy C-276
4 - Gland Plate	316 Stainless Steel	Alloy C-276
5 - Collar	316 Stainless Steel	Alloy C-276
6 - Inner Gland	316 Stainless Steel	Alloy C-276
7 - Springs	316 Stainless Steel	—

Type 7848D/7848W With Debris Well Typical Arrangement



The debris well ① option is available where applications demand periodic cleaning and product purity.

Type 7848D/7848W With Bearing Housing Typical Arrangement

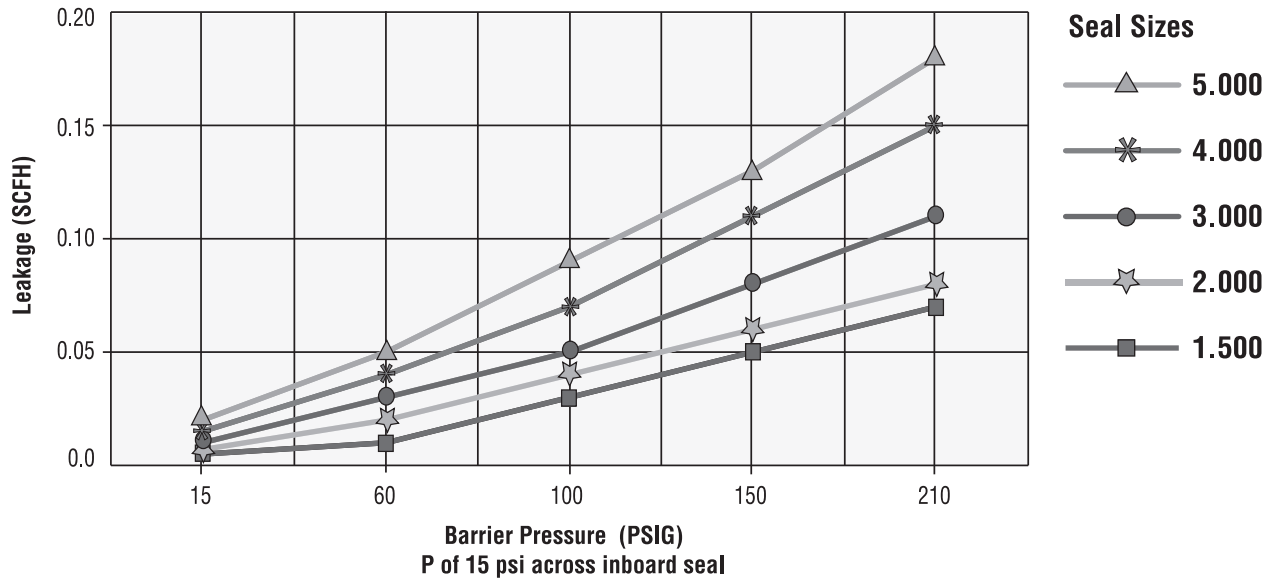


The bearing housing ② is a modular option available where additional shaft stability is desired.

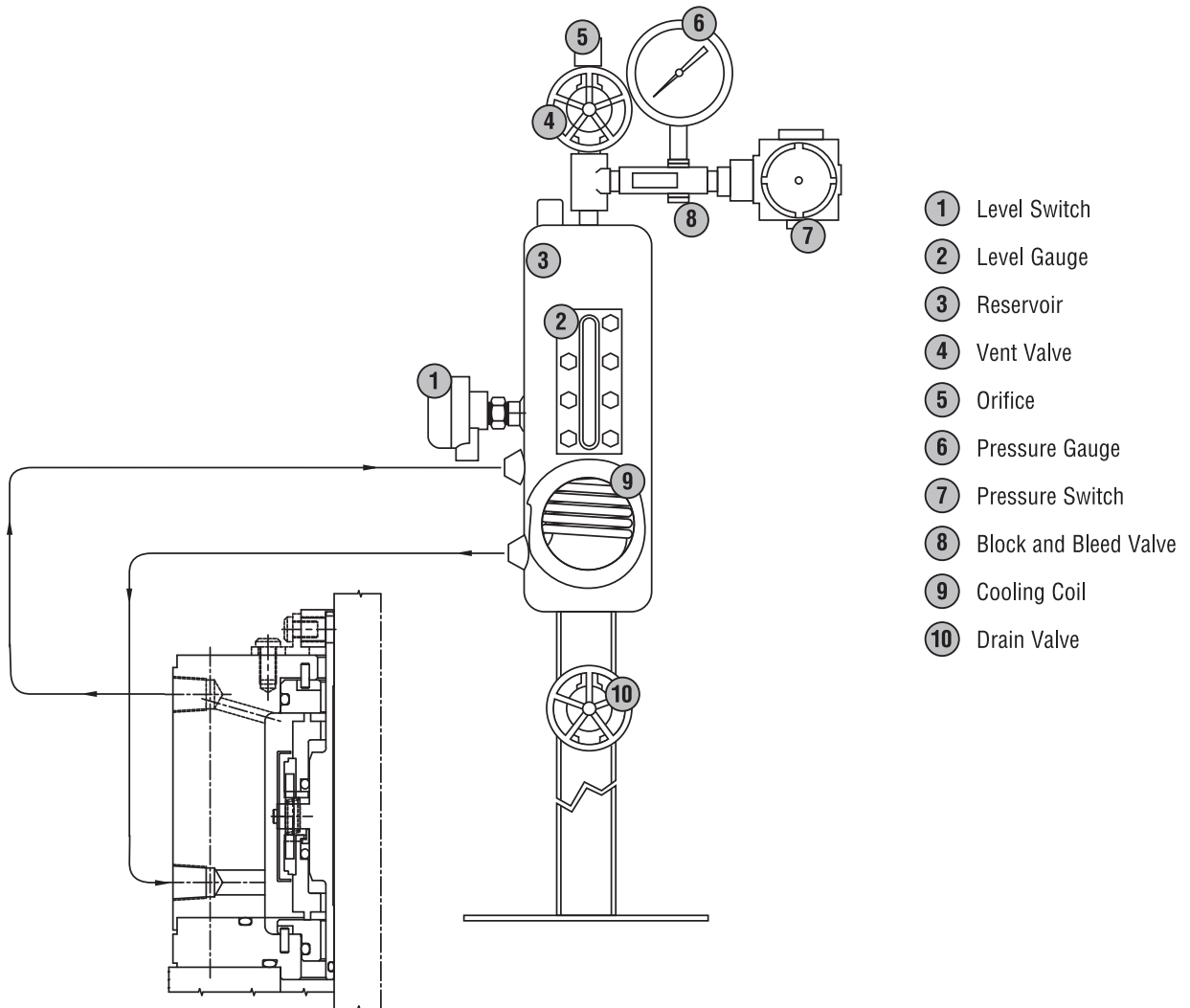
TYPE 7800 SERIES

7848D/7848W UNIVERSAL VESSEL SEAL

Type 7848D/7848W Estimated Total Barrier Gas Consumption



Type 7848D/7848W Seal Support System



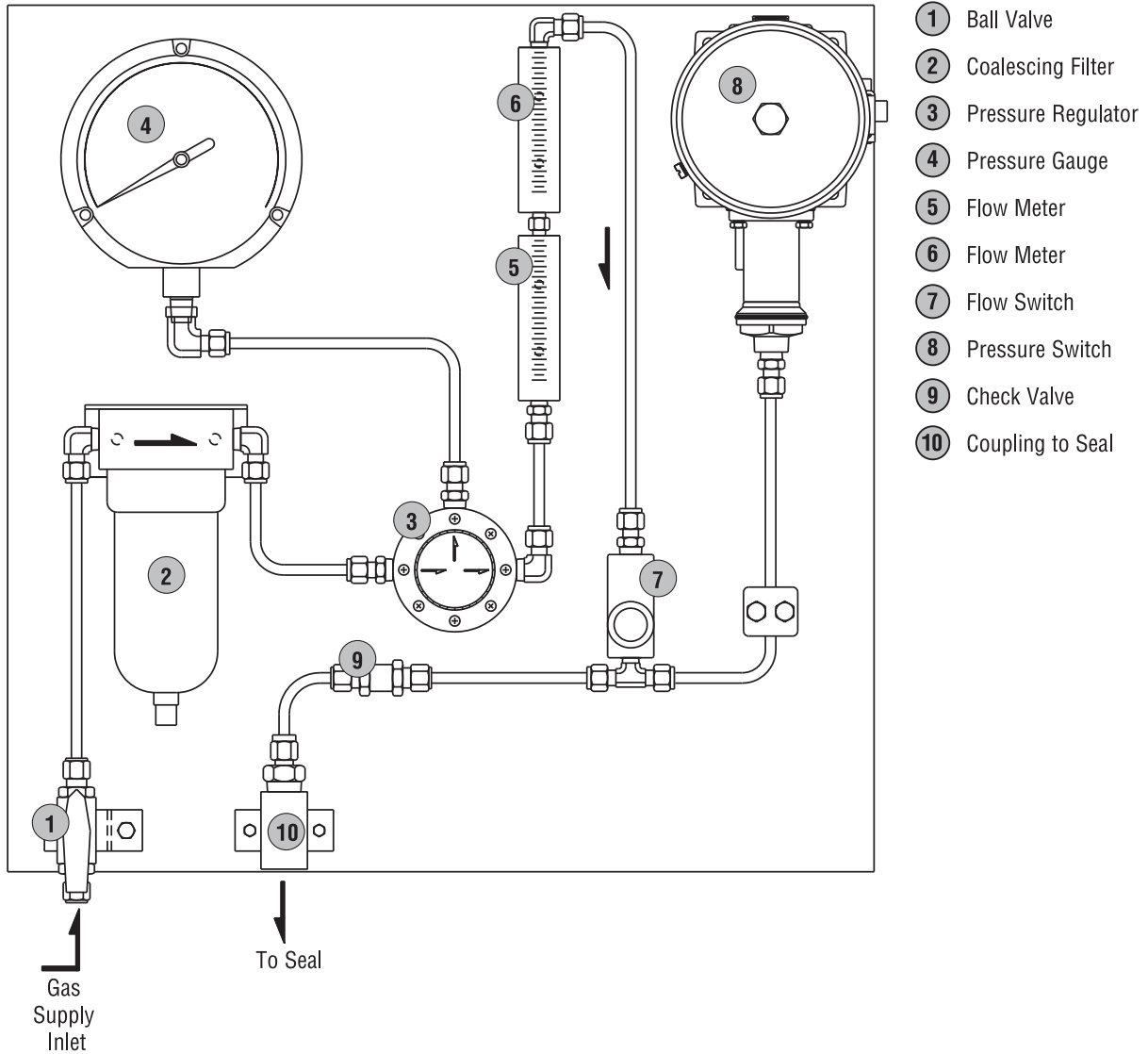
TYPE 7800 SERIES

7848D/7848W UNIVERSAL VESSEL SEAL

Type 7848D/7848W Seal Support Gas Panel

The diagram below shows a typical Type 7848D support panel. The instrumentation pictured is intended to provide maximum insight regarding vessel pressure and seal cartridge control. Instrumentation and control preferences vary among end users.

Contact John Crane with specific requirements.



john crane

TYPE 7800 SERIES

7848D/7848W UNIVERSAL VESSEL SEAL

Technical Specification

TYPE 7800 SERIES

7848D/7848W UNIVERSAL VESSEL SEAL

Technical Specification



North America
 United States of America
 Tel: 1-847-967-2400
 Fax: 1-847-967-3915

Europe
 United Kingdom
 Tel: 44-1753-224000
 Fax: 44-1753-224224

Latin America
 Brazil
 Tel: 55-11-3371-2500
 Fax: 55-11-3371-2599

Middle East & Africa
 United Arab Emirates
 Tel: 971-481-27800
 Fax: 971-488-62830

Asia Pacific
 Singapore
 Tel: 65-6518-1800
 Fax: 65-6518-1803

If the products featured will be used in a potentially dangerous and/or hazardous process, your John Crane representative should be consulted prior to their selection and use. In the interest of continuous development, John Crane Companies reserve the right to alter designs and specifications without prior notice. It is dangerous to smoke while handling products made from PTFE. Old and new PTFE products must not be incinerated. ISO 9001 and ISO14001 Certified, details available on request.