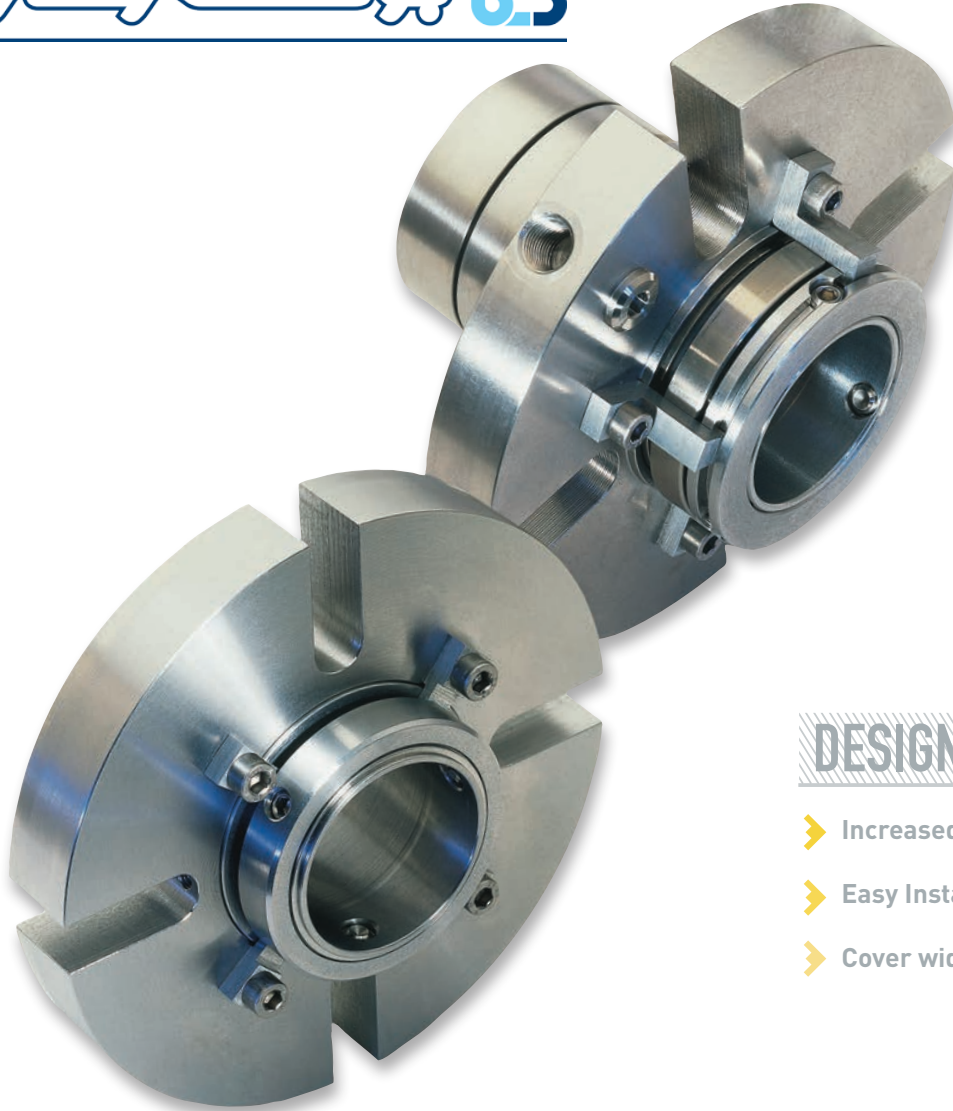




FOR LIQUID SEALING



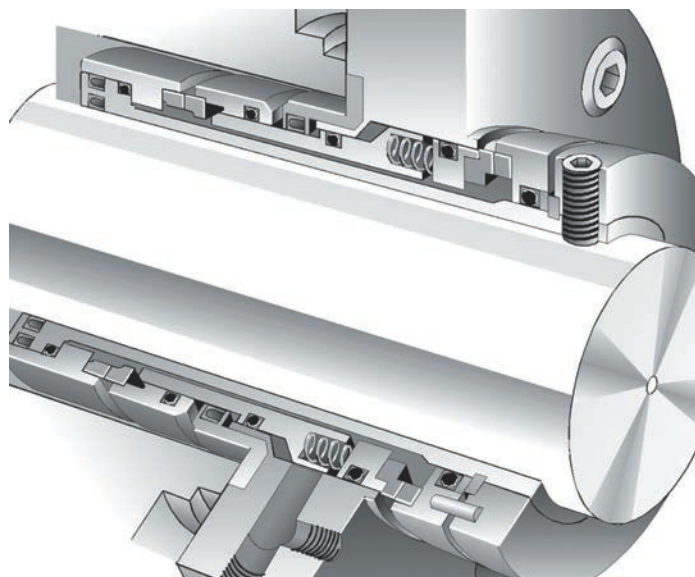
## DESIGN BENEFITS

- Increased equipment reliability
- Easy Installation
- Cover wide range of duties

## PRODUCT DESCRIPTION

At John Crane, we partner with you to find solutions that will best ensure optimal function of your machinery in any application. Our range of heavy duty cartridge seals are versatile and easy to install, suit a wide range of duties and are commonly used in applications in paper and board mills, power plants and other process equipment. The SB1A and SB2A ranges are suited for ANSI specific pumps.

## FOR LIQUID SEALING



Advanced technical features, such as patented seal face holders and elastic thrust rings, decrease the risk of seal damage and extend seal life. The balanced design of the SB1 ensures that pressure shocks do not affect seal operation, providing ultimate reliability. The SB1A is suitable for a wide range of demanding applications including water, oils, solvents and pulp with consistency of up to 2 percent. The SB2 and SB2A provide the longevity and reliability needed for the most demanding and abrasive applications, reducing risk of damage to your equipment and operators.

Seal Type	Stuffing Box Pressure (max)	Velocity (max)	Barrier Fluid Pressure (max)	Temperature (max)	DIN	ANSI model available
SB1	290 psi(g)/ 20 bar(g)	65 ft/s /20 m/s	N/A	250°F/120°C	X	X
SB2	290 psi(g)/ 20 bar(g)	65 ft/s /20 m/s	215 psi(g)/15 bar(g)	350°F/180°C	X	X

Together, we will work with you to keep your mission-critical operations up and running, with support and guidance from our experienced team.



**North America**  
United States of America  
Tel: 1-847-967-2400  
Fax: 1-847-967-3915

**Europe**  
United Kingdom  
Tel: 44-1753-224000  
Fax: 44-1753-224224

**Latin America**  
Brazil  
Tel: 55-11-3371-2500  
Fax: 55-11-3371-2599

**Middle East & Africa**  
United Arab Emirates  
Tel: 971-481-27800  
Fax: 971-488-62830

**Asia Pacific**  
Singapore  
Tel: 65-6518-1800  
Fax: 65-6518-1803

If the products featured will be used in a potentially dangerous and/or hazardous process, your John Crane representative should be consulted prior to their selection and use. In the interest of continuous development, John Crane Companies reserve the right to alter designs and specifications without prior notice. It is dangerous to smoke while handling products made from PTFE. Old and new PTFE products must not be incinerated. ISO 9001 and ISO 14001 Certified, details available on request.