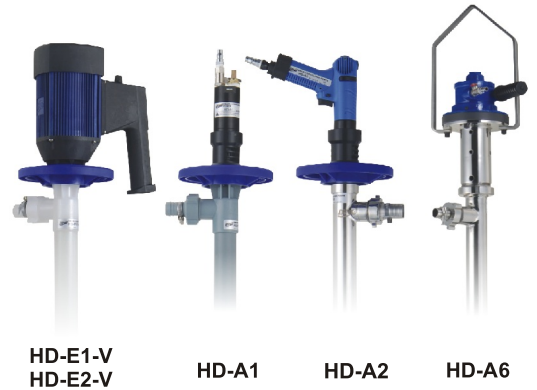




DRUM & CONTAINER PUMPS



● ASSEMBLY DETAIL



HD-E1-V
HD-E2-V

HD-A1

HD-A2

HD-A6

High Performance Bearing Sets

For better performance and reduce power consumption.
Stainless steel for high temperature application.

Safety Coupling

Effectively prevent motor failure

Compact Design

Fast strip down for quick change of pump and motor

Flange Connection

PPHT · SUS316 · PVDF

Barb Fittings

Special design for quick and safe change of fittings.

High Quality Shaft

SS Series : SUS316
PPHT · PVDF Series : Hastelloy®

PTFE Guide Sleeve

Ensure shaft stability.

Inner & Outer Tube

PPHT · PVDF · SUS316

Threaded Design

Easy maintenance without any special tools required. Quick change of impeller and housing.

Rulon® Shaft Bushing

Rulon® for better acid and alkali resistance, high wear resistance and low friction.

PVDF Impeller

Robust construction to improve abrasion resistance.

● PUMP SERIES

Special design for easy repair and quick change of spare parts without any special tool.

PTFE guide sleeve and PVDF impeller with abrasion resistant and to make shaft running more stable.

Shaft bushing is made of Rulon® for best chemical resistance.

PPHT、PVDF、SUS316 tube available with drive shaft made of SUS316 or Hastelloy®. It's the best choice for transferring chemical fluid.

● INDUSTRY SERVED

Electronic、Optoelectronics、
Semi-conductor、Waste water、
Chemical industry、Petrochemical、
Laboratory、Food industry、Cosmetic
Biochemistry、Paper making industry、
Painting industry、Pharmaceutical、
Ship industry、Automotive
and other industries.



APPLICATION

Container Type	Model	Length
5GAL Bottles	HD-Material 700	700mm (27")
55GAL Drums (200L)	HD-Material 1000	1000mm (39")
Barrels & Tanks	HD-Material 1200	1200mm (47")
IBC'S	HD-Material 1500	1500mm (60")
Large Storage Vessels	HD-Material 1800	1800mm (72")

COMMON APPLICATIONS

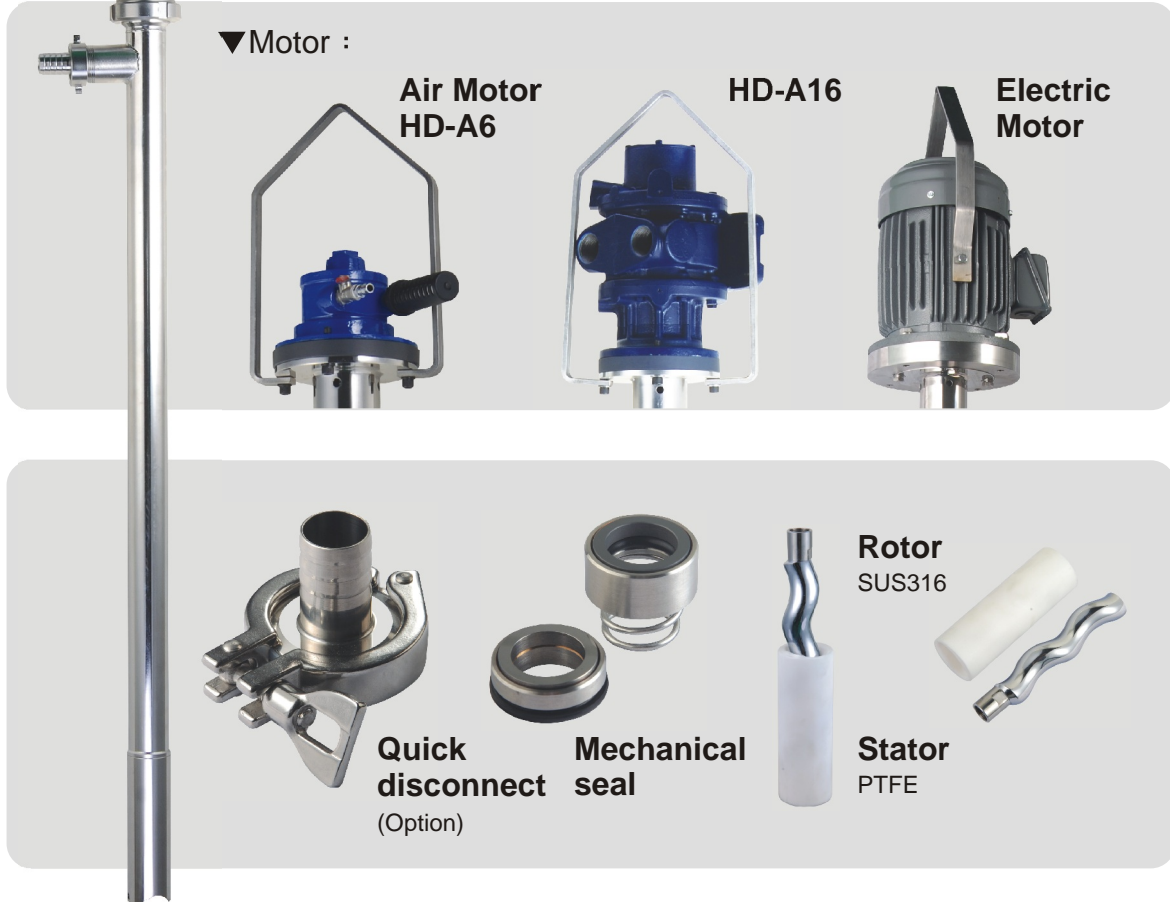
Material	Max. Temp.	Common Applications	
PPHT (Polypropylene)	80°C/175°F	<ul style="list-style-type: none"> Acetic Acid Sulfuric Acid Hydrochloric - 20% 	<ul style="list-style-type: none"> Nitric Acid - 20% Alkalies Ferric Chloride
PVDF	100°C/212°F	<ul style="list-style-type: none"> Concentrated Nitric Acid Sulfuric Acid-66 Baume Sodium Hypochlorite 	<ul style="list-style-type: none"> Propionic Acid Stearic Acid Hydrofluoric Acid
SS	100°C/212°F	<ul style="list-style-type: none"> Alcohol Gasoline Aqueous Ammonia 	<ul style="list-style-type: none"> Isopropyl Ether Solvents Petroleum Products

For safety, it's recommended to connect ground wire when pumping flammable or solvent liquids.

● HD HIGH VISCOSITY SCREW PUMP

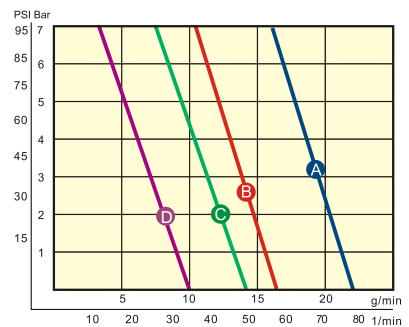
Applications

From high to low viscosity liquid 、 aggressive or neutral liquid 、 polymer 、 lubricator 、 ink 、 shampoo 、 PU & PVC 、 resin and so on.



HD-HV High viscosity series

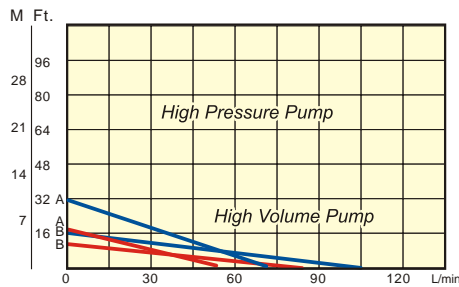
Model : HD-SS700-HV	Size : 700mm (27") 5 GAL. Bottles
HD-SS1000-HV	1000mm (39") 55 GAL. (200L) Drum
Max. Temp. : 120°C/248°F	
Outlet Dimension : 27.5mm / 33mm	
Pump : SUS316	
Rotor : SUS316	
Stator : PTFE	
Max. Viscosity : 100,000cps	
Mechanical Seal : SIC	
O-ring : PTFE	
Max. Flow Rate : 90L/min (Tested with 2000cps epoxy and HD-A6 air motor)	
Max. Pressure : 10bar	
Weight : 12kg	



HD-A16: ● 7bar ● 4bar
HD-A6: ● 7bar ● 4bar

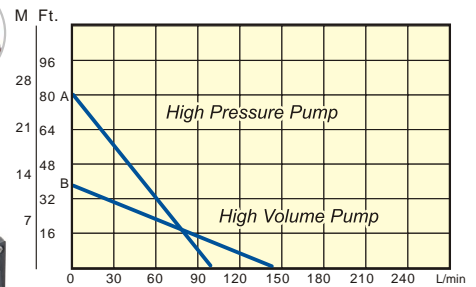
Test conditions:
• Viscosity: 5,000cps
• Performance curves may vary ±10% based on applications.

● AIR MOTOR & VARIABLE SPEED CONTROL MOTOR



A: High pressure impeller B: High volume impeller
Test conditions :
 • A: With HD-SS1000-HP tube. B: With HD-SS1000 tube.
 • Pump tested in 25 °C water, 500 L drum, with 1" outlet.
 • Performance curves may vary ±10% based on applications.
 • Max. head is obtained by closing outlet.

⚠ Please install the air filter for reduce moisture from the compressed air supply.



A: High pressure impeller B: High volume impeller
Test conditions :
 • A: With HD-SS1000-HP tube. B: With HD-SS1000 tube.
 • Pump tested in 25 °C water, 500 L drum, with 1" outlet.
 • Performance curves may vary ±10% based on applications.
 • Max. head is obtained by closing outlet.

⚠ NOT suitable for pumping flammable or combustible liquid

HD-A1 OIL FREE AIR MOTOR

Max. Inlet Air Pressure: 87psi(6bar)

Air Consumption: 0.55Nm³/min@6kg/cm²

Joint (air): 1/4" NPT

Accessories: Muffler · Air Regulator

Casing: Aluminum (Epoxy)

Max. Viscosity: 700cps

RPM: 7,500 (3bar Air Pressure)

RPM: 18,000 (6bar Air Pressure)

Horsepower: 420w (0.56HP)

Weight: 1 kg

VARIABLE SPEED CONTROL MOTOR

HD-E1-V 110 V / 1 φ / 50-60Hz / 485w

HD-E2-V 220 V / 1 φ / 50-60Hz / 485w

Max. Viscosity: 1,000cps

Max. RPM: 20,000rpm (NO-LOAD)

Overheated Protector

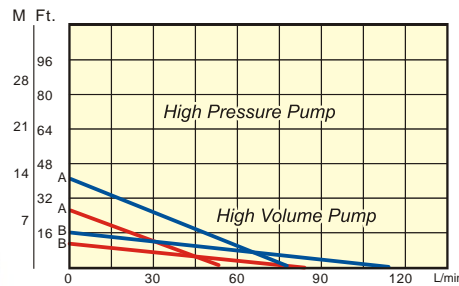
Safety Handling Switch

Casing use fireproof material

5m SJT Electronic Wire & Plug Included

Protection: IP44

Weight: 3 kg



A: High pressure impeller B: High volume impeller
Test conditions :
 • A: With HD-SS1000-HP tube. B: With HD-SS1000 tube.
 • Pump tested in 25 °C water, 500 L drum, with 1" outlet.
 • Performance curves may vary ±10% based on applications.
 • Max. head is obtained by closing outlet.

⚠ Please install the air filter for reduce moisture from the compressed air supply.

HD-A2 OIL FREE AIR MOTOR

Max. Inlet Air Pressure: 87psi (6bar)

Air Consumption: 0.55Nm³/min@6kg/cm²

Joint (air): 1/4" NPT

Casing: Aluminum (Epoxy)

Max. Viscosity: 1,200cps

RPM: 8,000 (3bar Air Pressure)

RPM: 18,000 (6bar Air Pressure)

Horsepower: 560w (0.75HP)

Weight: 1.2 kg

PUMP PACKAGE

Special specification is available upon request.

● OPTIONS

NOZZLE

- Control the flow rate easily.
- Keep the operating environment clean.
- Design to transfer to small containers safely.
- Body : Polypropylene
- O-Ring : Viton

GROUND WIRE

- It's important to connect ground wire when pumping flammable or explosive liquids.
- Each 150cm length 16ga electronic wire set comes with clip for connects.

ADAPTOR

Barrel Adaptor

- Material : PP、SS
- 43mm(1.7 inch) thread

Air Leaking Adaptor

- Material : PP、SS
- Viton barrier to prevent corrosive air from leaking.

WALL BRACKET

- SUS316

TRANSFER HOSE

- PFA Hose
1000mm
1500mm
2000mm
Special length is available upon request.
- PVC Braided Hose.

STRAINER

- Recommend when pumping dirty chemical liquids containing particles.
- Material : PP,PVDF & SS316
- PP mesh : 2x11mm

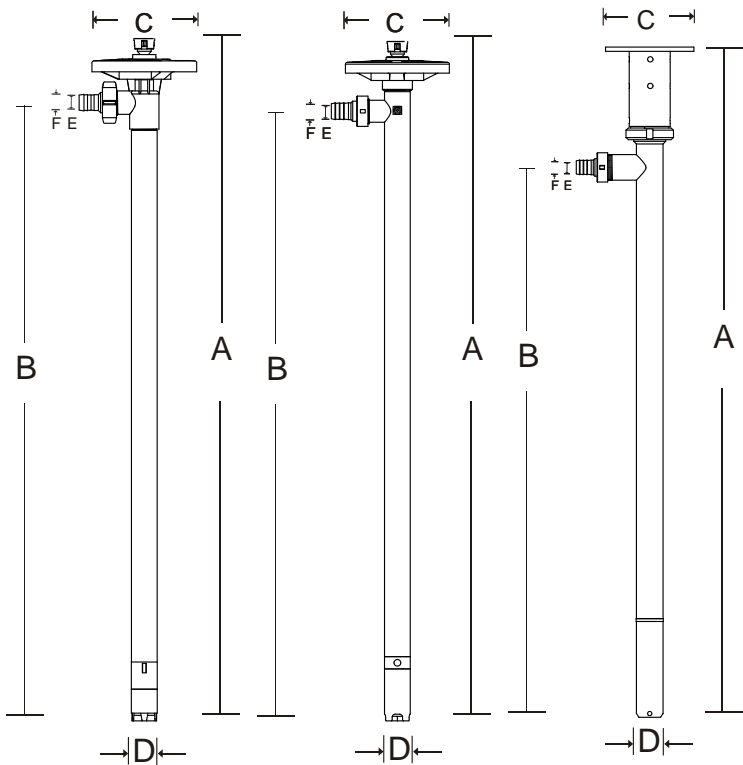
DIGITAL FLOW METER

- Casing : PP
- Rotor : ECTFE
- Sensor : CPVC
- Inlet/Outlet : 1"PT
- LCD display

Hanger

- SUS304
- For high viscosity series.

● DIMENSION



HD-PPHT/ PVDF series

HD-SS series

HD-SS-HV series

Material	Length	A	B	C	D	E	F
PPHT	700	810	700	170	41	19	27
	1000	1100	1000	170	41	19	27
	1200	1290	1200	170	41	19	27
	1500	1590	1500	170	41	19	27
	1800	1890	1800	170	41	19	27
PVDF	700	810	700	170	41	19	26
	1000	1100	1000	170	41	19	26
	1200	1300	1200	170	41	19	26
	1500	1600	1500	170	41	19	26
SS	700	810	700	170	42	20	27
	1000	1100	1000	170	42	20	27
	1200	1300	1200	170	42	20	27
	1500	1600	1500	170	42	20	27
SS-HV	1000	1300	1025	166	56	28	33

※Dimension may vary ±1% based on product. (Unit: millimeter)

※Special length is available upon request.



DINO DRUM & CONTAINER PUMPS