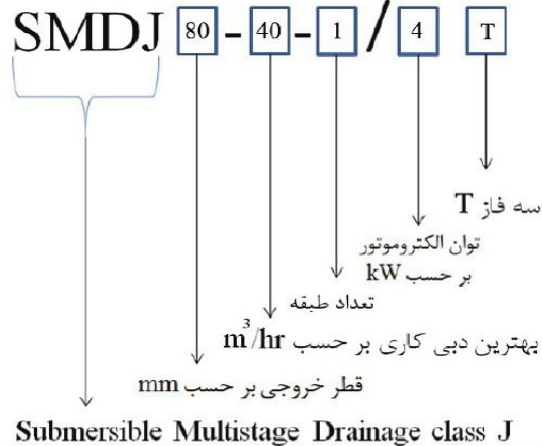




الکتروپمپ های کف کش طبقاتی چدنی سه فازمدل SMDJ

2900 rpm



استانداردهای اخذ شده



موارد قابل استفاده

مصارف کشاورزی و آبیاری با فشار بالا

آبیاری بارانی

تامین آب از چاه های عمیق و نیمه عمیق

پرورش ماهی و آبزیان دریایی

قابل استفاده برای آب دریا

ویژگی های طراحی

طبقاتی و قابلیت تامین فشارهای بالا

مقاوم سازی کلیه قطعات چدنی در برابر خوردگی

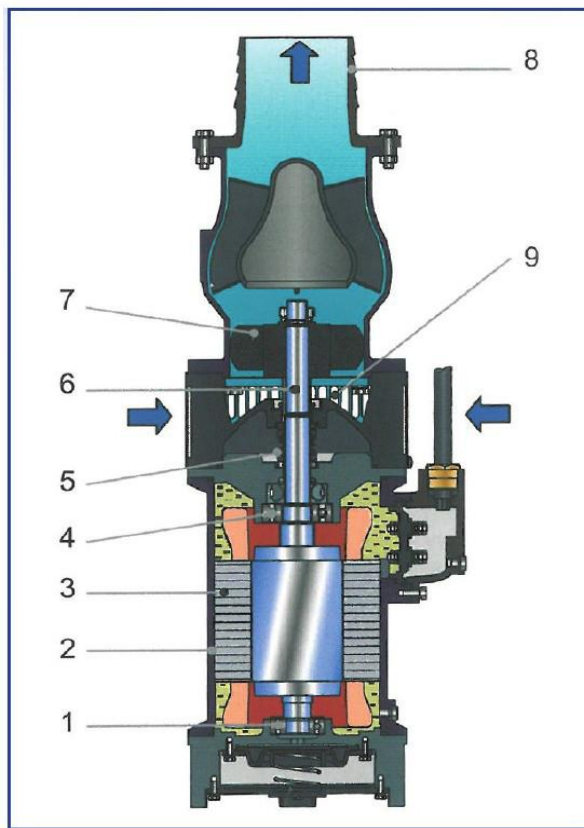
استفاده از مکانیکال سیل های دوپل

محدوده عملکردی

+40	بیشینه دمای سیال ورودی به پمپ ( $^{\circ}C$ )
6.5 - 8.5	محدوده PH
0.10%	بیشینه ناخالصی مجاز در سیال
0.2 mm	بیشینه قطر ذرات مجاز در سیال
50 Hz	فرکانس برق مجاز
220V AC	ولتاژ برق مجاز برای موتور تک فاز
380V AC	ولتاژ برق مجاز برای موتور سه فاز
10%	محدوده مجاز تغییر ولتاژ



شماتیک پمپ و قطعات تشکیل دهنده



22	18.5	15	11	7.5	5.5	4	3.7	3	2.2	توان (kW)	
7308B	7308B	7308B	7306B	7306B	7306B	7204B	7204B	7204B	7204B	بیرینگ پایینی	۱
چدن										کیسینگ موتور	۲
موتور مملو از روغن / 2900rpm										موتور و دور آن	۳
6308	6308	6308	6307	6307	6307	6305	6305	6305	6305	بیرینگ بالایی	۴
گرافیت / سرامیک / سیلیکون کاربید			گرافیت / سرامیک / سیلیکون کاربید			گرافیت / سرامیک / سیلیکون کاربید				سیل مکانیکی	۵
استیل										شافت موتور	۶
چدن										پروانه	۷
چدن										خروجی	۸
استیل										محفظه فیلتر	۹



جدول و منحنی های انتخاب پمپ

Model	Motor	
	HP	kW
<b>Three Phase</b>		
SMDJ 80-25-1/4 T	5.5	4.0
SMDJ 65-20-1/3.7 T	5.0	3.7
SMDJ 65-20-2/4 T	5.5	4.0
SMDJ 50-20-2/4 T	5.5	4.0
SMDJ 50-5-2/4 T	5.5	4.0

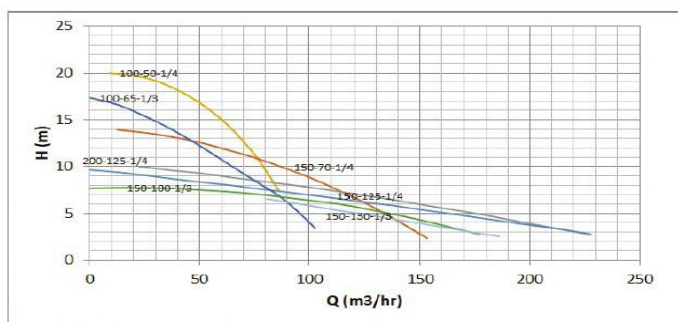
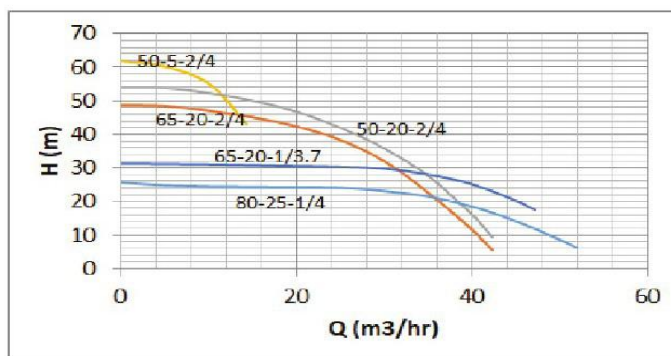
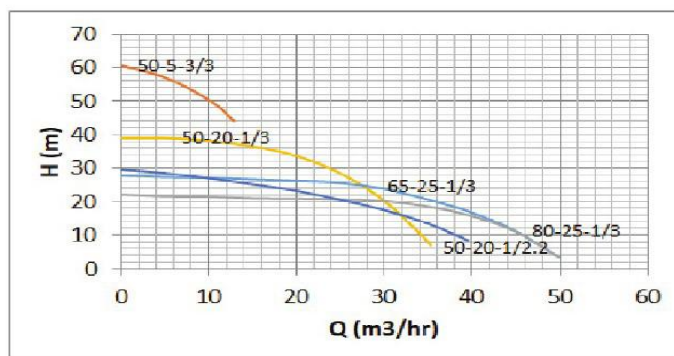
Q (lit/min)										
0.0	83.3	166.7	250.0	333.3	416.7	500.0	583.3	666.7	750.0	833.3
Q (m3/hr)										
0.0	5.0	10.0	15.0	20.0	25.0	30.0	35.0	40.0	45.0	50.0
25.6	24.8	24.5	24.4	24.2	24.1	23.1	21.5	18.4	14.0	8.5
31.3	31.1	31.0	30.8	30.6	30.3	29.7	28.0	25.1	20.2	-
48.7	48.4	47.1	45.1	42.4	38.3	32.1	22.7	11.7	-	-
53.7	53.6	52.1	49.9	46.6	41.8	35.6	27.5	15.7	-	-
61.9	60.3	58.1	-	-	-	-	-	-	-	-

Model	Motor	
	HP	kW
<b>Three Phase</b>		
SMDJ 80-25-1/3 T	4.0	3.0
SMDJ 50-20-1/2.2 T	3.0	2.2
SMDJ 65-25-1/3 T	4.0	3.0
SMDJ 50-20-1/3 T	4.0	3.0
SMDJ 50-5-3/3 T	4.0	3.0

Q (lit/min)										
0.0	83.3	166.7	250.0	333.3	416.7	500.0	583.3	666.7	750.0	833.3
Q (m3/hr)										
0.0	5.0	10.0	15.0	20.0	25.0	30.0	35.0	40.0	45.0	50.0
22.2	21.7	21.5	21.1	21.0	20.7	20.3	18.7	15.8	11.2	3.6
29.7	28.7	27.1	25.3	23.3	20.6	17.6	13.5	8.4	-	-
27.8	27.3	27.1	26.6	26.2	25.6	23.9	20.7	16.9	11.3	-
39.1	39.1	38.3	36.5	33.6	28.5	20.3	7.9	6.9	-	-
60.6	56.9	50.0	-	-	-	-	-	-	-	-

Model	Motor	
	HP	kW
<b>Three Phase</b>		
SMDJ 150-130-1/3 T	4.0	3.0
SMDJ 150-100-1/3 T	4.0	3.0
SMDJ 100-65-1/3 T	4.0	3.0
SMDJ 200-125-1/4 T	5.5	4.0
SMDJT 150-125-1/4 T	5.5	4.0
SMDJ 150-70-1/4 T	5.5	4.0
SMDJ 100-50-1/4 T	5.5	4.0

Q (lit/min)													
0.0	208.3	416.7	625.0	833.3	1041.7	1250.0	1458.3	1666.7	2083.3	2500.0	2916.7	3333.3	3750.0
Q (m3/hr)													
0.0	12.5	25.0	37.5	50.0	62.5	75.0	87.5	100.0	125.0	150.0	175.0	200.0	225.0
9.7	-	-	-	-	-	-	6.3	5.8	4.9	3.9	2.9	-	-
7.6	7.7	7.7	7.6	7.5	7.3	7.0	6.7	6.4	5.5	4.3	2.8	-	-
17.4	16.6	15.4	14.0	12.2	10.4	8.5	6.6	4.0	-	-	-	-	-
9.6	9.4	9.0	8.7	8.3	8.0	7.6	7.3	6.9	6.2	5.4	4.6	3.7	-
10.4	-	9.9	9.6	9.3	8.8	8.5	8.1	7.8	6.9	5.9	5.0	3.9	2.8
14.1	13.9	13.6	13.2	12.6	11.8	10.9	9.9	8.8	6.1	2.7	-	-	-
20.5	-	19.5	18.5	16.8	14.5	11.2	7.4	-	-	-	-	-	-

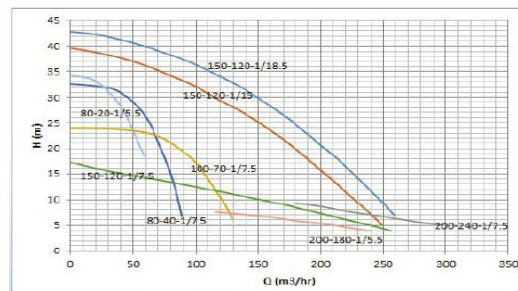
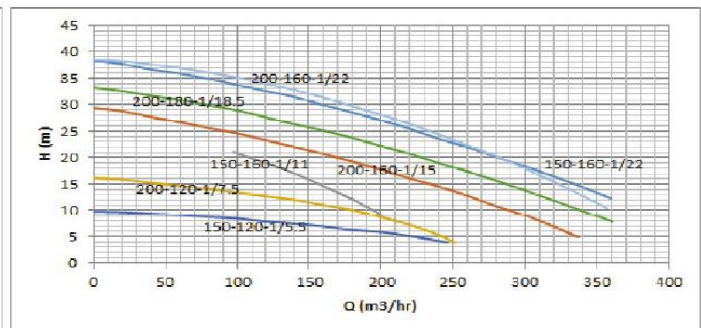
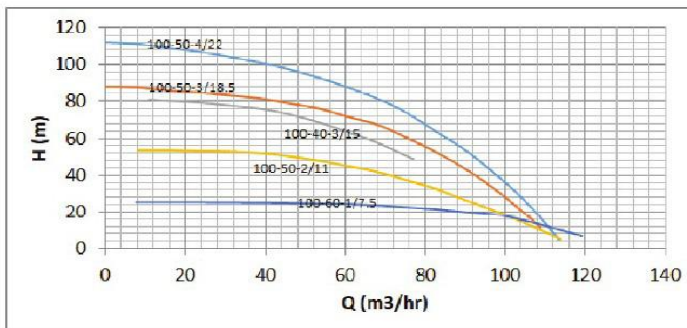




Model	Motor		Head (m)	Q (lit/min)												
	Three Phase	HP		kW	Q (m3/hr)											
					0.0	666.7	1333.3	2000.0	2666.7	3333.3	4000.0	4666.7	5333.3	6000.0		
SMDJ 150-120-1/5.5 T	7.5	5.5		9.7	9.3	8.7	7.8	6.9	5.8	4.1	-	-	-	-	-	-
SMDJ 200-120-1/7.5 T	10.0	7.5		16.2	15.3	14.2	12.8	11.1	8.8	5.4	-	-	-	-	-	-
SMDJ 150-160-1/11 T	15.0	11.0		25.1	-	-	18.9	14.5	9.2	-	-	-	-	-	-	-
SMDJ 200-160-1/15 T	20.0	15.0		29.4	27.7	25.6	23.3	20.7	17.8	14.6	10.9	6.9	-	-	-	-
SMDJ 200-180-1/18.5 T	25.0	18.5		33.1	31.6	29.8	27.5	25.1	22.1	18.9	15.6	11.8	7.8	-	-	-
SMDJ 150-160-1/22 T	30.0	22.0		38.3	36.7	34.9	32.6	30.0	27.1	23.6	20.2	16.5	-	-	-	-
SMDJ 200-160-1/22 T	30.0	22.0		38.5	37.6	36.1	34.0	31.3	28.1	24.4	20.2	15.3	-	-	-	-

Model	Motor		Head (m)	Q (lit/min)											
	Three Phase	HP		kW	Q (m3/hr)										
					0.0	250.0	500.0	750.0	1000.0	1250.0	1500.0	1750.0	2000.0		
SMDJ 100-60-1/7.5 T	10.0	7.5		25.8	25.7	25.5	25.2	24.6	22.7	20.1	15.2	8.8	-	-	-
SMDJ 100-50-2/11 T	15.0	11.0		54.4	53.6	53.0	50.6	45.2	37.3	26.2	13.3	-	-	-	-
SMDJ 100-40-3/15 T	20.0	15.0		82.9	80.4	78.0	73.6	63.7	50.8	-	-	-	-	-	-
SMDJ 100-50-3/18.5 T	25.0	18.5		88.3	86.3	83.7	79.4	72.2	60.5	42.9	18.1	-	-	-	-
SMDJ 100-50-4/22 T	30.0	22.0		112.1	109.3	104.4	97.8	87.9	73.8	53.0	25.0	-	-	-	-

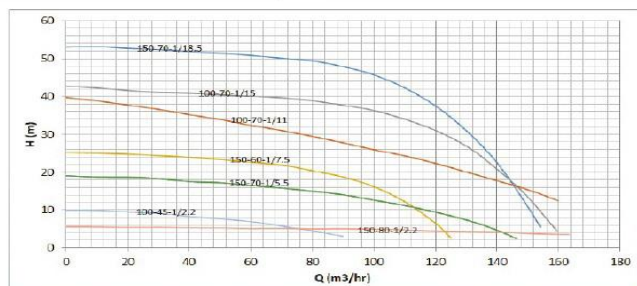
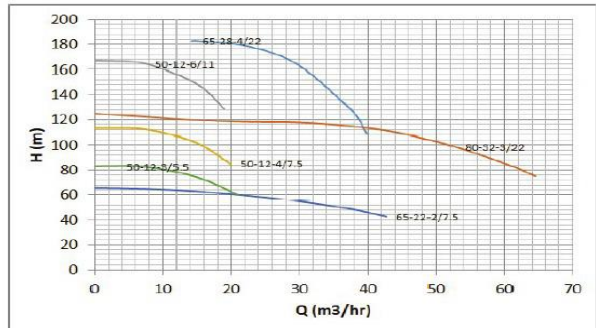
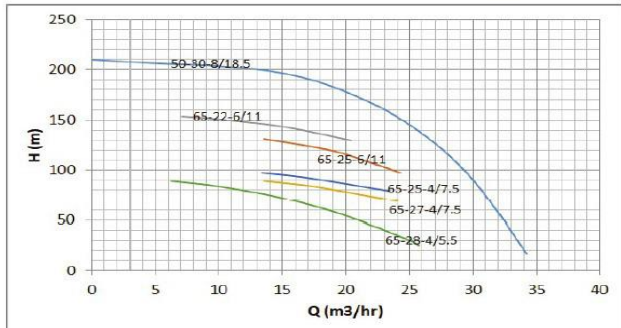
Model	Motor		Head (m)	Q (lit/min)											
	Three Phase	HP		kW	Q (m3/hr)										
					0.0	666.7	1333.3	2000.0	2666.7	3333.3	4000.0	4666.7			
SMDJ 200-180-1/5.5 T	7.5	5.5		9.9	-	-	7.4	6.5	5.3	3.8	-	-	-	-	-
SMDJ 150-120-1/7.5 T	10.0	7.5		17.2	15.1	13.4	11.5	9.5	7.2	4.9	-	-	-	-	-
SMDJ 200-240-1/7.5 T	10.0	7.5		19.2	-	-	-	-	8.7	7.0	5.5	-	-	-	-
SMDJ 100-70-1/7.5 T	10.0	7.5		24.0	23.7	21.2	10.0	-	-	-	-	-	-	-	-
SMDJ 80-20-1/5.5 T	7.5	5.5		34.3	28.2	-	-	-	-	-	-	-	-	-	-
SMDJ 80-40-1/7.5 T	10.0	7.5		32.6	30.9	14.9	-	-	-	-	-	-	-	-	-
SMDJ 150-120-1/15 T	20.0	15		39.6	37.6	34.2	29.2	23.4	15.6	7.2	-	-	-	-	-
SMDJ 150-120-1/18.5 T	25.0	18.5		42.8	41.2	38.2	33.9	28.2	20.7	11.8	-	-	-	-	-



Model	Motor		Q (lit/min)								
	HP	kW	0.0	125.0	250.0	375.0	500.0	625.0	750.0	875.0	1000.0
Three Phase			Q (m3/hr)								
			0.0	7.5	15.0	22.5	30.0	37.5	45.0	52.5	60.0
SMDJ 65-22-2/7.5 T	10.0	7.5	65.8	65.0	63.0	59.2	54.8	48.8	-	-	-
SMDJ 50-12-3/5.5 T	7.5	5.5	82.9	82.4	74.0	-	-	-	-	-	-
SMDJ 50-12-4/7.5 T	10.0	7.5	113.3	112.2	101.9	-	-	-	-	-	-
SMDJ 80-32-3/22 T	30.0	22	124.7	122.2	119.4	117.9	117.4	114.3	108.9	98.5	85.2
SMDJ 50-12-6/11 T	15.0	11	173.1	160.2	150.5	123.1	-	-	-	-	-
SMDJ 65-28-4/22 T	30.0	22	187.2	-	182.9	178.5	162.8	127.8	-	-	-

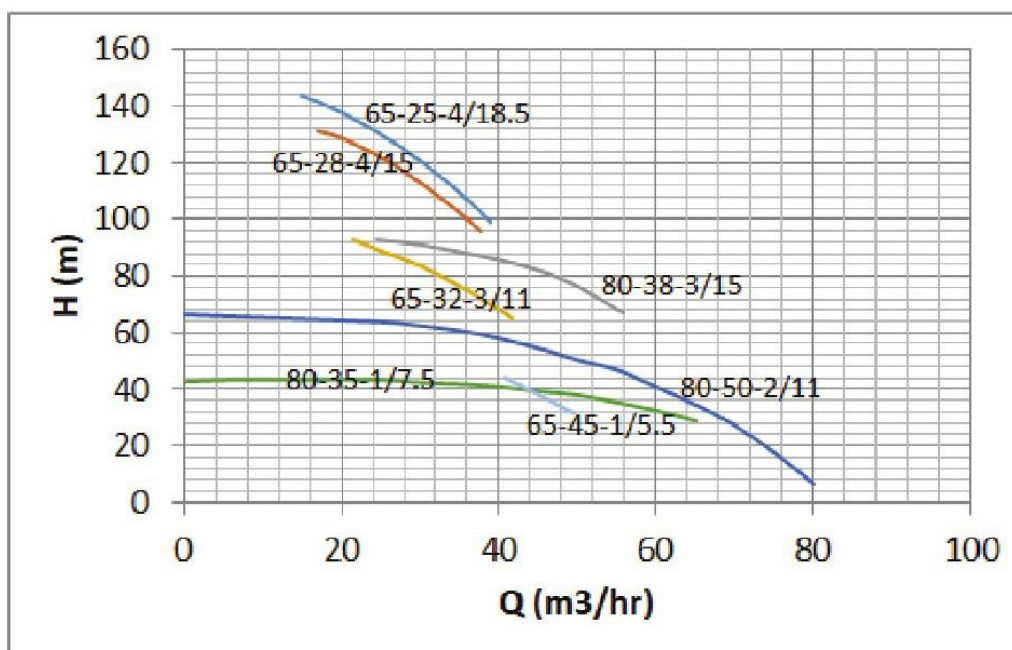
Model	Motor		Q (lit/min)						
	HP	kW	0.0	83.3	166.7	250.0	333.3	416.7	500.0
Three Phase			Q (m3/hr)						
			0.0	5.0	10.0	15.0	20.0	25.0	30.0
SMDJ 65-28-4/5.5 T	7.5	5.5	89.0	-	83.7	71.8	54.3	30.2	-
SMDJ 65-27-4/7.5 T	10.0	7.5	95.0	-	-	87.5	78.3	-	-
SMDJ 65-25-4/7.5 T	10.0	7.5	102.0	-	-	95.5	87.1	-	-
SMDJ 65-25-6/11 T	15.0	11	139.0	-	-	128.0	116.3	-	-
SMDJ 65-22-6/11 T	15.0	11	154.0	-	151.0	143.5	131.0	-	-
SMDJ 50-30-8/18.5 T	25.0	18.5	209.7	-	203.3	195.8	178.0	143.5	92.7

Model	Motor		Q (lit/min)									
	HP	kW	0.0	333.3	666.7	1000.0	1333.3	1666.7	2000.0	2333.3	2666.7	
Three Phase			Q (m3/hr)									
			0.0	20.0	40.0	60.0	80.0	100.0	120.0	140.0	160.0	
SMDJ 150-80-1/2.2 T	3.0	2.2	5.5	5.4	5.3	5.1	5.0	4.9	4.4	4.1	3.6	
SMDJ 100-45-1/2.2 T	3.0	2.2	10.0	9.5	8.4	7.0	4.5	-	-	-	-	
SMDJ 150-70-1/5.5 T	7.5	5.5	19.0	18.6	17.5	16.5	15.0	12.6	9.4	4.6	-	
SMDJ 100-70-1/5.5 T	7.5	5.5	19.0	18.6	17.5	16.5	15.0	12.6	9.4	4.6	-	
SMDJ 150-60-1/7.5 T	10.0	7.5	25.2	24.8	24.0	22.7	20.4	16.3	6.5	-	-	
SMDJ 100-70-1/11 T	15.0	11.0	39.7	37.7	35.2	32.4	29.4	26.0	22.3	17.8	-	
SMDJ 100-70-1/15 T	20.0	15.0	42.8	41.7	40.9	40.2	38.9	36.4	31.0	20.8	-	
SMDJ 150-70-1/18.5 T	25.0	18.5	53.0	52.8	51.9	50.9	49.5	45.8	37.5	22.6	-	

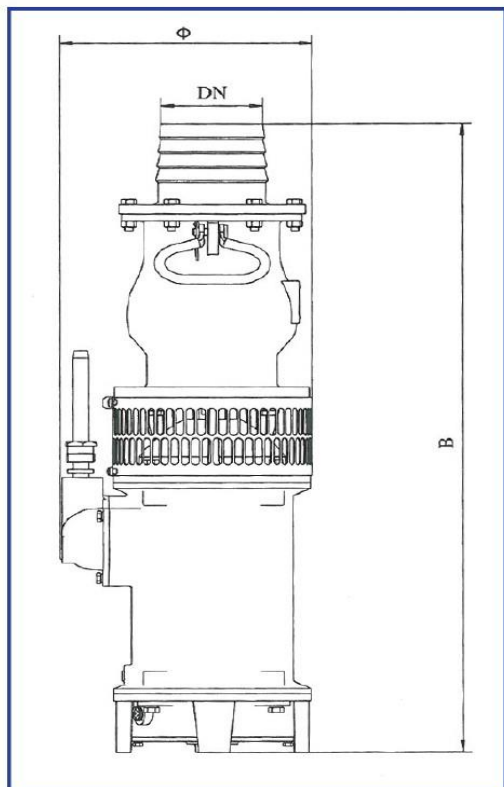




Model	Motor		Head (m)	Q (lit/min)															
	HP	kW		0.0	83.3	166.7	250.0	333.3	416.7	500.0	583.3	666.7	750.0	833.3	916.7	1000.0	1083.3	1166.7	1250.0
Three Phase	HP	kW	Head (m)	Q (m3/hr)															
				0.0	5.0	10.0	15.0	20.0	25.0	30.0	35.0	40.0	45.0	50.0	55.0	60.0	65.0	70.0	75.0
SMDJ 65-45-1/5.5 T	7.5	5.5	65.9	-	-	-	-	-	-	-	-	44.0	37.6	31.6	-	-	-	-	
SMDJ 80-35-1/7.5 T	10.0	7.5	42.9	-	43.5	43.5	43.5	43.5	42.6	42.1	41.2	39.4	38.2	35.6	32.6	-	-	-	
SMDJ 80-50-2/11 T	15.0	11	66.2	-	-	-	-	63.6	62.3	60.3	57.8	54.1	50.1	46.7	40.7	34.6	27.1	17.5	
SMDJ 65-32-3/11 T	15.0	11	100.4	-	-	-	-	88.9	83.8	76.3	68.2	-	-	-	-	-	-	-	
SMDJ 80-38-3/15 T	20.0	15	96.2	-	-	-	-	93.2	91.5	88.8	86.2	82.4	76.8	-	-	-	-	-	
SMDJ 65-28-4/15 T	20.0	15	134.4	-	-	-	129.1	121.2	113.2	102.9	-	-	-	-	-	-	-	-	
SMDJ 65-25-4/18.5 T	25.0	18.5	148.2	-	-	143.8	137.9	130.3	120.9	109.4	-	-	-	-	-	-	-	-	



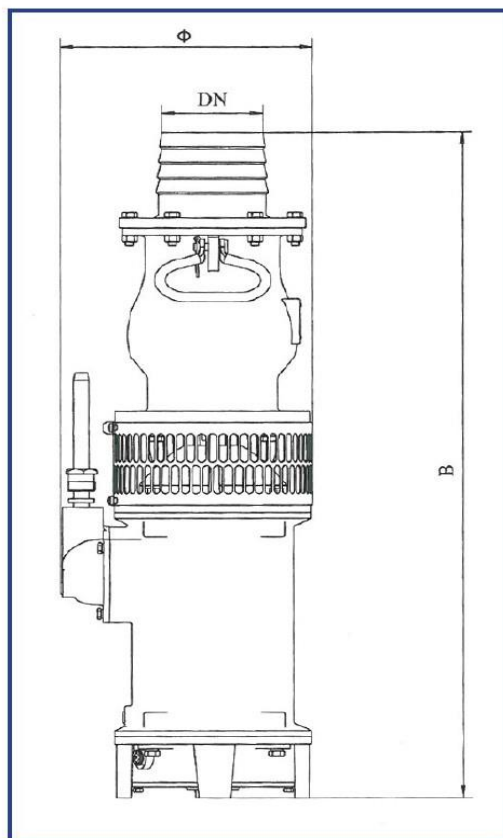
جدول مشخصات ابعادی



"N.W. (kg)"	Dim.(mm)			Model
	DN	B	Ø	
44	50	570	265	SMDJ 50-20-1/2.2 T
44	65	550	255	SMDJ 65-25-1/2.2 T
46	100	605	240	SMDJ 100-45-1/2.2 T
44	150	580	240	SMDJ 150-80-1/2.2 T
61	50	700	245	SMDJ 50-5-3/3 T
53	50	595	290	SMDJ 50-20-1/3 T
49	65	585	265	SMDJ 65-25-1/3 T
49	80	600	265	SMDJ 80-25-1/3 T
48	100	630	240	SMDJ 100-65-1/3 T
50	150	690	240	SMDJ 150-100-1/3 T
51	150	685	245	SMDJ 150-130-1/3 T
59	65	625	270	SMDJ 65-20-1/3.7 T
66	50	670	270	SMDJ 50-5-2/4 T
62	50	680	270	SMDJ 50-20-2/4 T
64	65	675	270	SMDJ 65-20-2/4 T
55	80	635	265	SMDJ 80-25-1/4 T
59	100	675	280	SMDJ 100-50-1/4 T
61	150	695	255	SMDJ 150-70-1/4 T
54	150	725	250	SMDJ 150-125-1/4 T
60	200	740	250	SMDJ 200-125-1/4 T
106	50	960	265	SMDJ 50-12-3/5.5 T
95	65	805	265	SMDJ 65-28-4/5.5 T
77	65	675	265	SMDJ 65-45-1/5.5 T
79	80	680	265	SMDJ 80-20-1/5.5 T
84	100	720	265	SMDJ 100-70-1/5.5 T
86	150	750	265	SMDJ 150-70-1/5.5 T
81	150	770	265	SMDJ 150-120-1/5.5 T
85	200	785	265	SMDJ 200-180-1/5.5 T
147	50	1060	265	SMDJ 50-12-4/7.5 T
128	65	1065	275	SMDJ 65-25-4/7.5 T
128	65	1065	275	SMDJ 65-27-4/7.5 T
101	65	815	290	SMDJ 65-22-2/7.5 T
86	80	725	265	SMDJ 80-35-1/7.5 T



جدول مشخصات ابعادی



"N.W. (kg)"	Dim.(mm)			Model
	DN	B	Ø	
90	80	750	295	SMDJ 80-40-1/7.5 T
95	100	750	265	SMDJ T 100-60-1/7.5 T
95	100	750	265	SMDJ 100-70-1/7.5 T
99	150	785	265	SMDJ T 150-60-1/7.5 T
104	150	885	265	SMDJ 150-120-1/7.5 T
104	200	900	265	SMDJ T 200-120-1/7.5 T
91	200	1305	275	SMDJ 200-240-1/7.5 T
151	50	1200	265	SMDJ 50-12-6/11 T
153	65	1205	265	SMDJ 65-22-6/11 T
151	65	1205	265	SMDJ 65-25-6/11 T
122	65	915	290	SMDJ 65-32-3/11 T
107	80	825	290	SMDJ 80-50-2/11 T
111	100	885	305	SMDJ 100-50-2/11 T
104	100	820	265	SMDJ 100-70-1/11 T
98	150	890	280	SMDJ 150-160-1/11 T
194	65	1180	325	SMDJ 65-28-4/15 T
173	80	990	325	SMDJ 80-38-3/15 T
177	100	1085	325	SMDJ 100-40-3/15 T
157	100	910	340	SMDJ 100-70-1/15 T
162	150	960	350	SMDJ 150-120-1/15 T
161	200	1075	320	SMDJ 200-160-1/15 T
249	50	1480	320	SMDJ 50-30-8/18.5 T
203	65	1220	325	SMDJ 65-25-4/18.5 T
192	100	1125	325	SMDJ 100-50-3/18.5 T
170	150	950	340	SMDJ 150-70-1/18.5 T
176	150	1000	350	SMDJ 150-120-1/18.5 T
176	200	1115	320	SMDJ 200-180-1/18.5 T
259	65	1320	325	SMDJ 65-28-4/22 T
232	80	1270	325	SMDJ 80-32-3/22 T
223	100	1240	325	SMDJ 100-50-4/22 T
188	150	1145	320	SMDJ 150-160-1/22 T
188	200	1145	320	SMDJ 200-160-1/22 T





G.W. (kg)	Cable line (m)	Rate Current (A)	Power		Model
			HP	kW	
48	4*1-20	5.4	3	2.2	SMDJ 50-20-1/2.2 T
48	4*1-15				SMDJ 65-25-1/2.2 T
49	4*1-7				SMDJ 100-45-1/2.2 T
47	4*1-7				SMDJ 150-80-1/2.2 T
65	4*1-33	7.2	4	3	SMDJ 50-5-3/3 T
57	4*1-25				SMDJ 50-20-1/3 T
53	4*1-25				SMDJ 65-25-1/3 T
53	4*1-15				SMDJ 80-25-1/3 T
52	4*1-10				SMDJ 100-65-1/3 T
54	4*1-7				SMDJ 150-100-1/3 T
55	4*1-7				SMDJ 150-130-1/3 T
63	4*1-15				8.7
71	3*1.5+1*1-30	9.3	5.5	4	SMDJ 50-5-2/4 T
67	3*1.5+1*1-20				SMDJ 50-20-2/4 T
69	3*1.5+1*1-20				SMDJ 65-20-2/4 T
60	3*1.5+1*1-10				SMDJ 80-25-1/4 T
64	3*1.5+1*1-10				SMDJ 100-50-1/4 T
66	3*1.5+1*1-7				SMDJ 150-70-1/4 T
59	3*1.5+1*1-7				SMDJ 150-125-1/4 T
65	3*1.5+1*1-25				SMDJ 200-125-1/4 T
113	3*1.5+1*1-25	12.6	7.5	5.5	SMDJ 50-12-3/5.5 T
99	3*1.5+1*1-20				SMDJ 65-28-4/5.5 T
81	3*1.5+1*1-15				SMDJ 65-45-1/5.5 T
83	3*1.5+1*1-15				SMDJ 80-20-1/5.5 T
90	3*1.5+1*1-15				SMDJ 100-70-1/5.5 T
92	3*1.5+1*1-7				SMDJ 150-70-1/5.5 T
87	3*1.5+1*1-7				SMDJ 150-120-1/5.5 T
91	3*2.5+1*1.5-30				SMDJ 200-180-1/5.5 T
155	3*2.5+1*1.5-25	16.8	10	7.5	SMDJ 50-12-4/7.5 T
136	3*2.5+1*1.5-25				SMDJ 65-25-4/7.5 T
136	3*2.5+1*1.5-25				SMDJ 65-27-4/7.5 T
107	3*2.5+1*1.5-20				SMDJ 65-22-2/7.5 T
86	3*2.5+1*1.5-25				SMDJ 80-35-1/7.5 T
90	3*2.5+1*1.5-15				SMDJ 80-40-1/7.5 T



G.W. (kg)	Cable line (m)	Rate Current (A)	Power		Model
			HP	kW	
101	3*2.5+1*1.5-15	16.8	10	7.5	SMDJ T 100-60-1/7.5 T
101	3*2.5+1*1.5-15				SMDJ 100-70-1/7.5 T
105	3*2.5+1*1.5-15				SMDJ T 150-60-1/7.5 T
111	3*2.5+1*1.5-10				SMDJ 150-120-1/7.5 T
111	3*2.5+1*1.5-10				SMDJ T 200-120-1/7.5 T
97	3*2.5+1*1.5-7				SMDJ 200-240-1/7.5 T
161	3*4+1*2.5-35	24.3	15	11	SMDJ 50-12-6/11 T
161	3*4+1*2.5-30				SMDJ 65-22-6/11 T
161	3*4+1*2.5-30				SMDJ 65-25-6/11 T
129	3*4+1*2.5-25				SMDJ 65-32-3/11 T
113	3*4+1*2.5-25				SMDJ 80-50-2/11 T
117	3*4+1*2.5-20				SMDJ 100-50-2/11 T
110	3*4+1*2.5-15				SMDJ 100-70-1/11 T
105	3*4+1*2.5-10				SMDJ 150-160-1/11 T
205	3*6+1*4+2*1-30				30
183	3*6+1*4+2*1-25	SMDJ 80-38-3/15 T			
188	3*6+1*4+2*1-25	SMDJ 100-40-3/15 T			
167	3*6+1*4+2*1-20	SMDJ 100-70-1/15 T			
172	3*6+1*4+2*1-15	SMDJ 150-120-1/15 T			
171	3*6+1*4+2*1-10	SMDJ 200-160-1/15 T			
262	3*6+1*4+2*1-35	40.4	25	18.5	SMDJ 50-30-8/18.5 T
215	3*6+1*4+2*1-30				SMDJ 65-25-4/18.5 T
203	3*6+1*4+2*1-25				SMDJ 100-50-3/18.5 T
180	3*6+1*4+2*1-20				SMDJ 150-70-1/18.5 T
186	3*6+1*4+2*1-15				SMDJ 150-120-1/18.5 T
186	3*6+1*4+2*1-15				SMDJ 200-180-1/18.5 T
271	3*10+1*6+2*1-30	48.1	30	22	SMDJ 65-28-4/22 T
244	3*10+1*6+2*1-30				SMDJ 80-32-3/22 T
235	3*10+1*6+2*1-25				SMDJ 100-50-4/22 T
198	3*10+1*6+2*1-15				SMDJ 150-160-1/22 T
198	3*10+1*6+2*1-15				SMDJ 200-160-1/22 T

