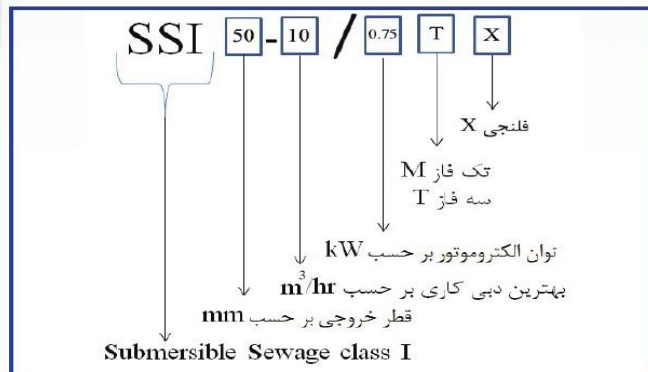




2900 rpm

الکتروپمپ های لجن کش چدنی مدل SSI



استانداردهای اخذ شده

CE

موارد قابل استفاده

پمپاژ سیالات با ذرات ریز (فیبرهای کوچک، تکه های ریز کاغذ، آب گل آلود و ...)

استحصال آب از چاهها

مصارف خانگی، صنعتی و ساختمانی

پرورش ماهی و آبزیان دریایی

امور زیست محیطی

آبیاری و زه کشی مزارع و باغات

محدوده عملکردی

| | |
|---------|---|
| +40 | بیشینه دمای سیال ورودی به پمپ ($^{\circ}C$) |
| 4-10 | محدوده PH |
| 1200 | بیشینه چگالی سیال (kg/m^3) |
| 50 Hz | فرکانس برق مجاز |
| 220V AC | ولتاژ برق مجاز برای موتور تک فاز |
| 380V AC | ولتاژ برق مجاز برای موتور سه فاز |
| 10% | محدوده مجاز تغییر ولتاژ |

ویژگی های طراحی

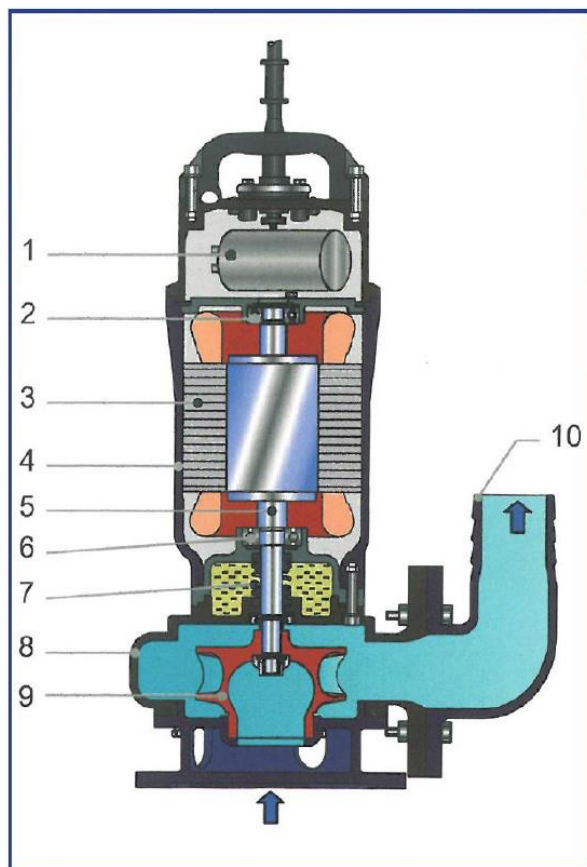
پروانه از نوع دو کاناله

مناسب برای دبی های بالا

استفاده از مکانیکال سیل دوپل

مقاومت بالای قطعات چدنی در برابر سایش





| 7.5 سه فاز | 5.5 سه فاز | 4 سه فاز | 3 سه فاز | 2.2 سه فاز | 1.5 سه فاز | 1.1 سه فاز | 0.75 سه فاز | 1.1 تک فاز | 0.75 تک فاز | 0.55 تک فاز | توان (kW) | |
|--|---------------|-------------|-------------|---------------|------------------------|---------------|----------------|-----------------|-----------------|-----------------|------------------------|----|
| - | - | - | - | - | - | - | - | 25uF/450V AC | 25uF/450V AC | 15uF/450V AC | خازن (فقط برای تک فاز) | ۱ |
| 6306-2RZ | 6306-2RZ | 6306-2RZ | 6305-2RZ | 6204-2RZ | 6204-2RZ | 6202-2RZ | 6202-2RZ | 6202-2RZ | 6202-2RZ | 6202-2RZ | بیرینگ بالایی | ۲ |
| موتور خشک / 2900 rpm | | | | | | | | | | | موتور و دور آن | ۳ |
| چدن | | | | | | | | | | | کیسینگ موتور | ۴ |
| استیل زنگ نزن | | | | | استیل زنگ نزن کروم دار | | | | | | شافت موتور | ۵ |
| 6307-2RZ | 6307-2RZ | 6307-2RZ | 6206-2RZ | 6205-2RZ | 6205-2RZ | 6204-2RZ | 6203-2RZ | 6204-2RZ | 6203-2RZ | 6203-2RZ | بیرینگ پایینی | ۶ |
| گرافیت هات پرس شده / گرافیت فشرده / تنگستن کاربید / آلومینا سرامیک | | | | | | | | | | | سیل مکانیکی | ۷ |
| چدن | | | | | | | | | | | کیسینگ پمپ | ۸ |
| چدن | | | | | | | | | | | پروانه | ۹ |
| چدن | | | | | | | | | | | خروجی | ۱۰ |



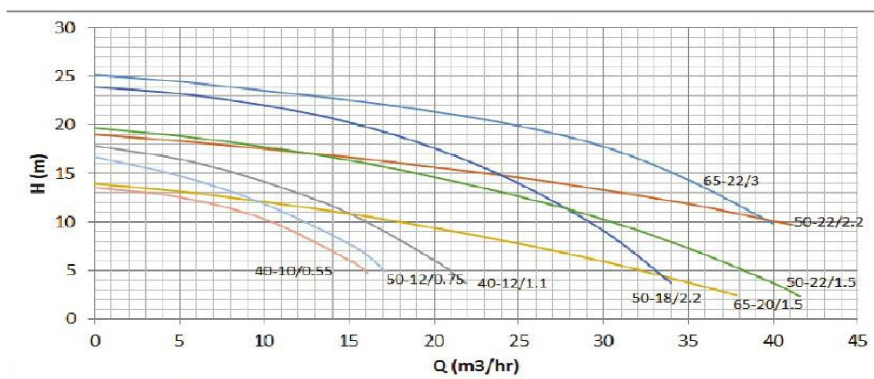
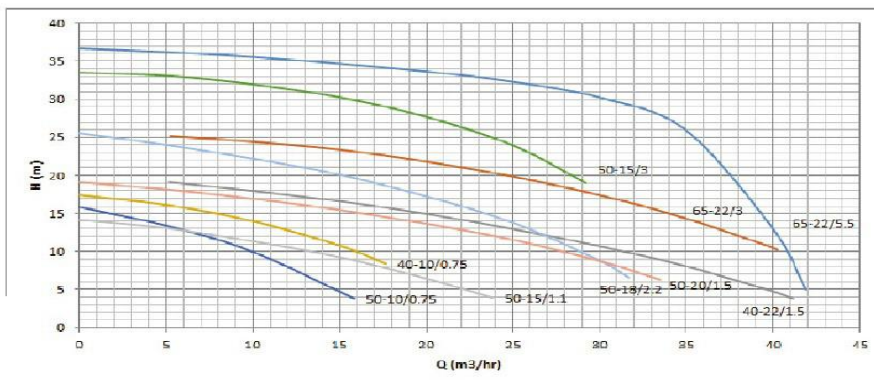
جدول و منحنی های انتخاب پمپ

| Model | | Motor | |
|------------------|------------------|-------|------|
| Single Phase | Three Phase | HP | kW |
| SSI 50-10/0.75 M | SSI 50-10/0.75 T | 1.0 | 0.75 |
| SSI 50-15/1.1 M | SSI 50-15/1.1 T | 1.5 | 1.1 |
| SSI 40-10/0.75 M | SSI 40-10/0.75 T | 1.0 | 0.75 |
| - | SSI 50-20/1.5 T | 2.0 | 1.5 |
| - | SSI 40-22/1.5 T | 2.0 | 1.5 |
| - | SSI 50-18/2.2 T | 3.0 | 2.2 |
| - | SSI 65-22/3 T | 4.0 | 3 |
| - | SSI 50-15/3 T | 4.0 | 3 |
| - | SSI 65-22/5.5 T | 7.5 | 5.5 |

| Q (lit/min) | | | | | | | | |
|-------------|------|-------|-------|-------|-------|-------|-------|-------|
| 0.0 | 83.3 | 166.7 | 250.0 | 333.3 | 416.7 | 500.0 | 583.3 | 666.7 |
| Q (m3/hr) | | | | | | | | |
| 0.0 | 5.0 | 10.0 | 15.0 | 20.0 | 25.0 | 30.0 | 35.0 | 40.0 |
| 15.9 | 13.3 | 10.0 | 3.8 | - | - | - | - | - |
| 14.1 | 13.1 | 11.3 | 9.3 | 6.5 | - | - | - | - |
| 17.5 | 16.1 | 14.0 | 10.8 | - | - | - | - | - |
| 19.1 | 18.1 | 16.9 | 15.5 | 13.7 | 11.6 | 8.8 | - | - |
| 20.0 | 19.1 | 17.9 | 16.5 | 14.9 | 12.9 | 10.7 | 8.0 | 4.7 |
| 25.6 | 24.0 | 22.2 | 20.2 | 17.3 | 13.7 | 8.8 | - | - |
| 25.6 | 25.2 | 24.5 | 23.4 | 21.9 | 19.9 | 17.4 | 14.4 | 10.5 |
| 33.5 | 33.1 | 32.0 | 30.2 | 27.7 | 23.9 | - | - | - |
| 36.8 | 36.3 | 35.7 | 34.7 | 33.7 | 32.4 | 30.3 | 26.1 | 13.0 |

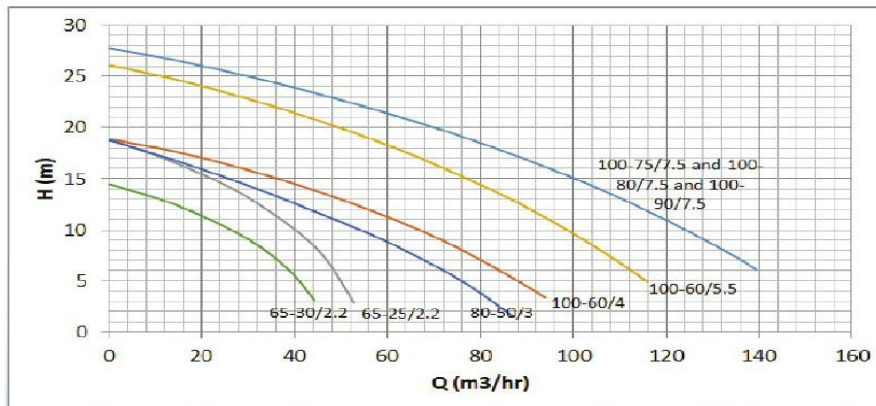
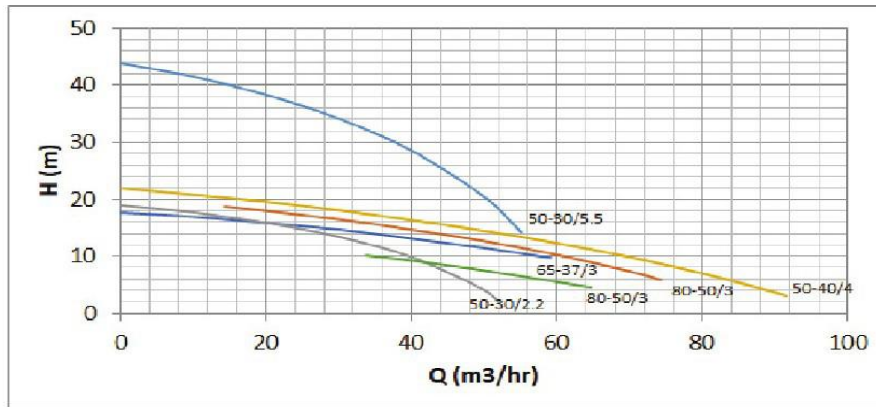
| Model | | Motor | |
|------------------|------------------|-------|------|
| Single Phase | Three Phase | HP | kW |
| SSI 40-10/0.55 M | - | 0.75 | 0.55 |
| - | SSI 50-12/0.75 T | 1.0 | 0.75 |
| SSI 40-12/1.1 M | SSI 40-12/1.1 T | 1.5 | 1.1 |
| - | SSI 65-20/1.5 T | 2.0 | 1.5 |
| - | SSI 50-22/1.5 T | 2.0 | 1.5 |
| - | SSI 50-22/2.2 T | 3.0 | 2.2 |
| - | SSI 50-18/2.2 T | 3.0 | 2.2 |
| - | SSI 65-25/3 T | 4.0 | 3 |

| Q (lit/min) | | | | | | | | |
|-------------|------|-------|-------|-------|-------|-------|-------|-------|
| 0.0 | 83.3 | 166.7 | 250.0 | 333.3 | 416.7 | 500.0 | 583.3 | 666.7 |
| Q (m3/hr) | | | | | | | | |
| 0.0 | 5.0 | 10.0 | 15.0 | 20.0 | 25.0 | 30.0 | 35.0 | 40.0 |
| 13.6 | 12.6 | 10.3 | 5.9 | - | - | - | - | - |
| 16.7 | 14.7 | 11.7 | 7.4 | - | - | - | - | - |
| 17.8 | 16.3 | 14.0 | 10.8 | 6.0 | - | - | - | - |
| 13.9 | 13.1 | 12.0 | 10.8 | 9.4 | 7.7 | 5.8 | 3.7 | - |
| 19.7 | 18.9 | 17.8 | 16.3 | 14.6 | 12.6 | 10.2 | 7.1 | 3.6 |
| 19.1 | 18.4 | 17.6 | 16.6 | 15.6 | 14.6 | 13.3 | 11.8 | 10.1 |
| 23.9 | 23.2 | 22.0 | 20.2 | 17.5 | 13.9 | 8.9 | - | - |
| 25.1 | 24.5 | 23.5 | 22.5 | 21.3 | 19.9 | 17.7 | 14.2 | 9.8 |

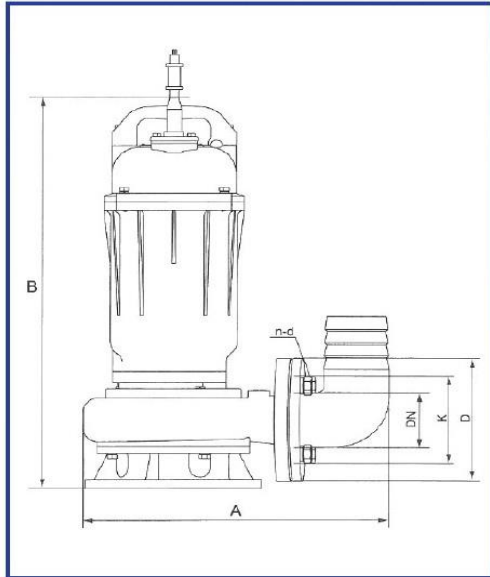


| Model | | Motor | | Q (lit/min) | | | | | | | | | | | |
|--------------|-----------------|-------|-----|-------------|------|------|------|------|------|------|------|------|------|---|---|
| Single Phase | Three Phase | HP | kW | Q (m3/hr) | | | | | | | | | | | |
| | | | | 0.0 | 10.0 | 20.0 | 30.0 | 40.0 | 50.0 | 60.0 | 70.0 | 80.0 | 90.0 | | |
| - | SSI 50-30/2.2 T | 3.0 | 2.2 | 18.9 | 17.6 | 15.8 | 13.3 | 9.8 | 4.3 | - | - | - | - | - | - |
| - | SSI 80-50/3 T | 4.0 | 3.0 | 12.9 | - | - | - | 9.3 | 7.6 | 5.6 | - | - | - | - | - |
| - | SSI 65-37/3 T | 4.0 | 3.0 | 17.6 | 17.0 | 15.8 | 14.7 | 13.1 | 11.5 | 9.7 | - | - | - | - | - |
| - | SSI 80-43/3 T | 4.0 | 3.0 | 20.3 | - | 18.0 | 16.5 | 14.7 | 12.6 | 10.2 | 7.2 | - | - | - | - |
| - | SSI 50-40/4 T | 5.5 | 4.0 | 21.9 | 20.8 | 19.5 | 18.1 | 16.4 | 14.4 | 12.3 | 9.8 | 7.0 | 3.8 | - | - |
| - | SSI 50-30/5.5 T | 7.5 | 5.5 | 43.8 | 41.4 | 38.3 | 34.1 | 28.6 | 20.4 | - | - | - | - | - | - |

| Model | | Motor | | Q (lit/min) | | | | | | | | | | | |
|--------------|------------------|-------|-----|-------------|------|------|------|------|------|------|-------|-------|-------|---|---|
| Single Phase | Three Phase | HP | kW | Q (m3/hr) | | | | | | | | | | | |
| | | | | 0.0 | 15.0 | 30.0 | 45.0 | 60.0 | 75.0 | 90.0 | 105.0 | 120.0 | 135.0 | | |
| - | SSI 65-30/2.2 T | 3.0 | 2.2 | 14.5 | 12.3 | 9.1 | 3.1 | - | - | - | - | - | - | - | - |
| - | SSI 65-25/2.2 T | 3.0 | 2.2 | 18.9 | 16.4 | 13.2 | 8.2 | - | - | - | - | - | - | - | - |
| - | SSI 80-50/3 T | 4.0 | 3.0 | 18.8 | 16.8 | 14.4 | 11.7 | 8.8 | 5.1 | - | - | - | - | - | - |
| - | SSI 100-60/4 T | 5.5 | 4.0 | 18.9 | 17.6 | 15.8 | 13.8 | 11.2 | 8.3 | 4.4 | - | - | - | - | - |
| - | SSI 100-60/5.5 T | 7.5 | 5.5 | 26.2 | 24.7 | 22.8 | 20.7 | 18.3 | 15.4 | 12.2 | 8.2 | - | - | - | - |
| - | SSI 100-75/7.5 T | 10.0 | 7.5 | 27.8 | 26.6 | 25.1 | 23.4 | 21.4 | 19.3 | 16.9 | 14.0 | 10.9 | 7.3 | - | - |
| - | SSI 100-80/7.5 T | 10.0 | 7.5 | 27.8 | 26.6 | 25.1 | 23.4 | 21.4 | 19.3 | 16.9 | 14.0 | 10.9 | 7.3 | - | - |
| - | SSI 100-90/7.5 T | 10.0 | 7.5 | 27.8 | 26.6 | 25.1 | 23.4 | 21.4 | 19.3 | 16.9 | 14.0 | 10.9 | 7.3 | - | - |



جدول مشخصات ابعادی



| N.W.(kg) | Dim(mm) | | | | | | Model |
|----------|--------------------|-----|-----|-----|-----|-----|--------------------|
| | n-d | K | D | DN | B | A | |
| 17.5/19 | G1 1/2 Pipe Thread | | | | 442 | 245 | SSI 40-10/0.55 M |
| 20/21 | | | | | 440 | 245 | SSI 40-10/0.75 M |
| 20/21 | | | | | 440 | 245 | SSI 40-10/0.75 M F |
| 26 | 4-M12 | 110 | 140 | 50 | 440 | 312 | SSI 50-10/0.75 M X |
| 28 | G1 1/2 Pipe Thread | | | | 460 | 258 | SSI 40-12/1.1 M X |
| 29 | 4-M12 | 110 | 140 | 50 | 454 | 285 | SSI 50-15/1.1 M X |
| 17.5/19 | G1 1/2 Pipe Thread | | | | 442 | 245 | SSI 40-10/0.55 M F |
| 20 | | | | | 442 | 245 | SSI 40-10/0.75 T |
| 26 | 4-M12 | 110 | 140 | 50 | 440 | 312 | SSI 50-10/0.75 T X |
| 26 | 4-M12 | 110 | 140 | 50 | 440 | 312 | SSI 50-12/0.75 T X |
| 28 | G1 1/2 Pipe Thread | | | | 460 | 254 | SSI 40-12/1.1 T |
| 29 | 4-M12 | 110 | 140 | 50 | 468 | 316 | SSI 50-15/1.1 T X |
| 36 | 4-M12 | 110 | 140 | 40 | 540 | 340 | SSI 40-22/1.5 T X |
| 41 | 4-M12 | 110 | 140 | 50 | 540 | 347 | SSI 50-22/1.5 T X |
| 38 | 4-M12 | 110 | 140 | 50 | 534 | 331 | SSI 50-20/1.5 T X |
| 35 | 4-M12 | 130 | 160 | 65 | 498 | 344 | SSI 65-20/1.5 T X |
| 42 | 4-M12 | 110 | 140 | 50 | 556 | 326 | SSI 50-18/2.2 T X |
| 44 | 4-M12 | 110 | 140 | 50 | 556 | 341 | SSI 50-18/2.2 T X |
| 45 | 4-M12 | 130 | 160 | 65 | 568 | 384 | SSI 65-25/2.2 T X |
| 45 | 4-M12 | 110 | 140 | 50 | 568 | 367 | SSI 50-22/2.2 T X |
| 45 | 4-M12 | 130 | 160 | 65 | 568 | 384 | SSI 65-30/2.2 T X |
| 47 | 4-M12 | 110 | 140 | 50 | 594 | 376 | SSI 50-30/2.2 T X |
| 48 | 4-M12 | 110 | 140 | 50 | 551 | 362 | SSI 50-15/3 T X |
| 49 | 4-M12 | 130 | 160 | 65 | 554 | 360 | SSI 65-22/3 T X |
| 49 | 4-M12 | 130 | 160 | 65 | 554 | 360 | SSI 65-25/3 T X |
| 61 | 4-M12 | 130 | 160 | 65 | 602 | 399 | SSI 65-37/3 T X |
| 61 | 4-M16 | 150 | 190 | 80 | 602 | 419 | SSI 80-43/3 T X |
| 61 | 4-M16 | 150 | 190 | 80 | 602 | 419 | SSI 80-50/3 T X |
| 55 | 4-M16 | 150 | 190 | 80 | 602 | 419 | SSI 80-50/3 T X |
| 73 | 4-M12 | 110 | 140 | 50 | 661 | 371 | SSI 50-40/4 T X |
| 75 | 4-M16 | 170 | 210 | 100 | 704 | 452 | SSI 100-60/4 T X |
| 78 | 4-M12 | 110 | 140 | 50 | 745 | 411 | SSI 50-30/5.5 T X |
| 80 | 4-M12 | 130 | 160 | 65 | 783 | 390 | SSI 65-22/5.5 T X |
| 93 | 4-M16 | 170 | 210 | 100 | 826 | 452 | SSI 100-60/5.5 T X |
| 115 | 4-M16 | 170 | 210 | 100 | 733 | 498 | SSI 100-75/7.5 T X |
| 115 | 4-M16 | 170 | 210 | 100 | 733 | 498 | SSI 100-80/7.5 T X |
| 118 | 4-M16 | 170 | 210 | 100 | 733 | 562 | SSI 100-90/7.5 T X |



| G.W (kg) | Cable line (m) | Solids Passage (mm) | Rate Current (A) | power | | Model |
|----------|----------------|---------------------|------------------|-------|------|--------------------|
| | | | | HP | kw | |
| 20 | 3*0.75-8 | 20 | 4.1 | 0.75 | 0.55 | SSI 40-10/0.55 M |
| 22 | 3*0.75-8 | 20 | 5.2 | 1 | 0.75 | SSI 40-10/0.75 M |
| 22 | 3*0.75-8 | 20 | 5.2 | 1 | 0.75 | SSI 40-10/0.75 M F |
| 29 | 3*0.75-8 | 20 | 5.2 | 1 | 0.75 | SSI 50-10/0.75 M X |
| 31 | 3*1-10 | 20 | 7.3 | 1.5 | 1.1 | SSI 40-12/1.1 M X |
| 32 | 3*1-10 | 20 | 7.3 | 1.5 | 1.1 | SSI 50-15/1.1 M X |
| 20 | 3*0.75-8 | 20 | 4.1 | 0.75 | 0.55 | SSI 40-10/0.55 M F |
| 29 | 4*0.75-10 | 20 | 2 | 1 | 0.75 | SSI 40-10/0.75 T |
| 31 | 4*0.75-10 | 20 | 2 | 1 | 0.75 | SSI 50-10/0.75 T X |
| 32 | 4*0.75-10 | 20 | 2 | 1 | 0.75 | SSI 50-12/0.75 T X |
| 31 | 4*0.75-10 | 20 | 2.7 | 1.5 | 1.1 | SSI 40-12/1.1 T |
| 32 | 4*0.75-10 | 20 | 2.7 | 1.5 | 1.1 | SSI 50-15/1.1 T X |
| 40 | 4*0.75-15 | 20 | 3.6 | 2 | 1.5 | SSI 40-22/1.5 T X |
| 45 | 4*0.75-15 | 20 | 3.6 | 2 | 1.5 | SSI 50-22/1.5 T X |
| 42 | 4*0.75-10 | 25 | 3.6 | 2 | 1.5 | SSI 50-20/1.5 T X |
| 39 | 4*0.75-7 | 25 | 3.6 | 2 | 1.5 | SSI 65-20/1.5 T X |
| 47 | 4*1-15 | 20 | 5.1 | 3 | 2.2 | SSI 50-18/2.2 T X |
| 50 | 4*1-15 | 20 | 5.1 | 3 | 2.2 | SSI 50-18/2.2 T X |
| 50 | 4*1-15 | 20 | 5.1 | 3 | 2.2 | SSI 65-25/2.2 T X |
| 50 | 4*1-15 | 28 | 5.1 | 3 | 2.2 | SSI 50-22/2.2 T X |
| 50 | 4*1-7 | 30 | 5.1 | 3 | 2.2 | SSI 65-30/2.2 T X |
| 52 | 4*1-10 | 25 | 5.1 | 3 | 2.2 | SSI 50-30/2.2 T X |
| 53 | 3*1.5+1*1-15 | 25 | 6.7 | 4 | 3 | SSI 50-15/3 T X |
| 54 | 3*1.5+1*1-15 | 25 | 6.7 | 4 | 3 | SSI 65-22/3 T X |
| 54 | 3*1.5+1*1-15 | 25 | 6.7 | 4 | 3 | SSI 65-25/3 T X |
| 61 | 3*1.5+1*1-10 | 25 | 6.7 | 4 | 3 | SSI 65-37/3 T X |
| 68 | 3*1.5+1*1-10 | 25 | 6.7 | 4 | 3 | SSI 80-43/3 T X |
| 62 | 3*1.5+1*1-7 | 32 | 6.7 | 4 | 3 | SSI 80-50/3 T X |
| 62 | 3*1.5+1*1-10 | 25 | 6.7 | 4 | 3 | SSI 80-50/3 T X |
| 80 | 3*1.5+1*1-10 | 25 | 8.8 | 5.5 | 4 | SSI 50-40/4 T X |
| 83 | 3*1.5+1*1-10 | 43 | 8.8 | 5.5 | 4 | SSI 100-60/4 T X |
| 85 | 3*1.5+1*1-10 | 25 | 11.7 | 7.5 | 5.5 | SSI 50-30/5.5 T X |
| 88 | 3*1.5+1*1-15 | 25 | 11.7 | 7.5 | 5.5 | SSI 65-22/5.5 T X |
| 103 | 3*1.5+1*1-10 | 30 | 11.7 | 7.5 | 5.5 | SSI 100-60/5.5 T X |
| 128 | 3*2.5+1.5-15 | 30 | 15.7 | 10 | 7.5 | SSI 100-75/7.5 T X |
| 128 | 3*2.5+1.5-10 | 30 | 15.7 | 10 | 7.5 | SSI 100-80/7.5 T X |
| 131 | 3*2.5+1.5-10 | 30 | 15.7 | 10 | 7.5 | SSI 100-90/7.5 T X |

