


# BS

Fixed speed pump units

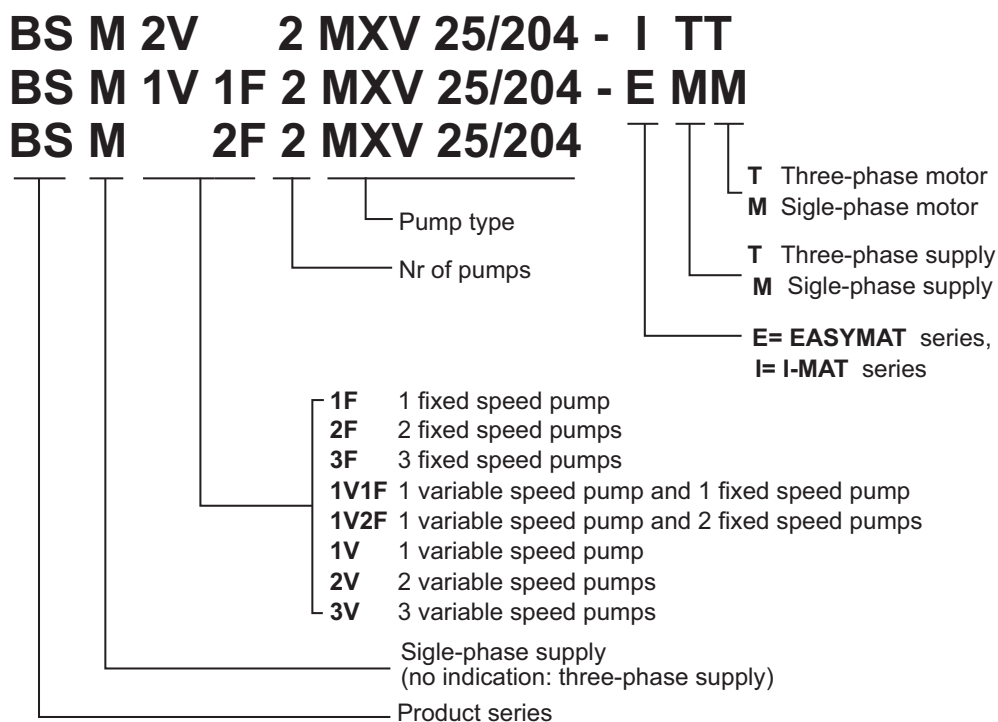
Variable speed pump units with frequency converter



	<p>Pressure boosting sets with <b>NM, NMD</b> pag. 518</p> <p><b>BS .F</b> fixed speed 1/3 pumps</p> <p><b>BS1V.F, BS.V</b> variable speed with <b>(frequency converter into the control panel)</b> 1/3 pumps</p> <p>variable speed with <b>I-MAT</b> 2/3 pumps</p>
	<p>Pressure boosting sets with <b>MXH</b> pag. 539</p> <p><b>BS .F</b> fixed speed 1/3 pumps</p> <p><b>BS1V.F, BS.V</b> variable speed with <b>(frequency converter into the control panel)</b> 1/3 pumps</p> <p>variable speed with <b>EASYMAT</b> 1/3 pumps</p> <p>variable speed with <b>I-MAT</b> 2/3 pumps</p>
	<p>Pressure boosting sets with <b>MGP, MXP</b> pag. 550</p> <p><b>BS .F</b> fixed speed 2 pumps</p> <p><b>BS1V.F, BS.V</b> variable speed with <b>(frequency converter into the control panel)</b> 2 pumps</p> <p>variable speed with <b>EASYMAT</b> 1/3 pumps</p>
	<p>Pressure boosting sets with <b>MPSU</b> pag. 559</p> <p><b>BS .F</b> fixed speed 1/3 pumps</p> <p><b>BS1V.F, BS.V</b> variable speed with <b>(frequency converter into the control panel)</b> 1/3 pumps</p> <p>variable speed with <b>EASYMAT</b> 1/3 pumps</p>
	<p>Pressure boosting sets with <b>MXVB</b> pag. 566</p> <p><b>BS .F</b> fixed speed 1/3 pumps</p> <p><b>BS1V.F, BS.V</b> variable speed with <b>(frequency converter into the control panel)</b> 1/3 pumps</p> <p>variable speed with <b>EASYMAT</b> 1/3 pumps</p> <p>variable speed with <b>I-MAT</b> 2/3 pumps</p>
	<p>Pressure boosting sets with <b>MXV</b> pag. 575</p> <p><b>BS .F</b> fixed speed 1/3 pumps</p> <p><b>BS1V.F, BS.V</b> variable speed with <b>(frequency converter into the control panel)</b> 1/3 pumps</p> <p>variable speed with <b>I-MAT</b> 2/3 pumps</p>
	<p>Pressure boosting sets with <b>NG, NGL, NGX</b> pag. 589</p> <p><b>BS .F</b> fixed speed 2 pumps</p>
	<p>Pressure boosting sets with <b>4SDP</b> pag. 593</p> <p><b>BS .V</b> variable speed with <b>EASYMAT</b> 1 pump</p>

**TO SELECT A PRESSURE BOOSTING SET** page 625

## Designation

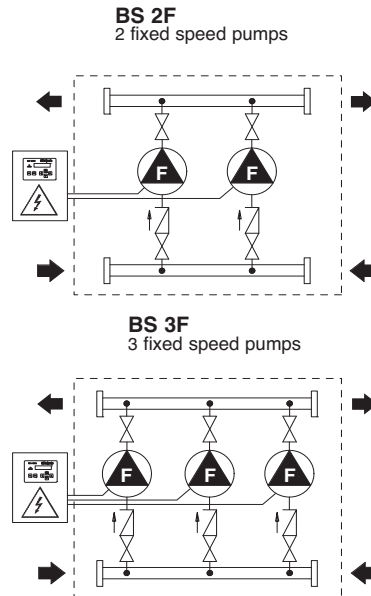


To select a Pressure Boosting Set see technical appendix at page 616.  
 For booster sets with 4, 5 and 6 pumps contact our Technical Sales Department.

## BSF with 2 and 3 fixed speed pumps

### Construction

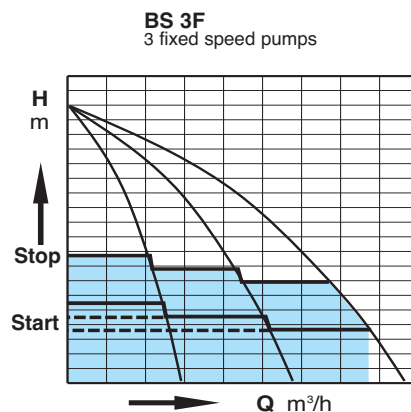
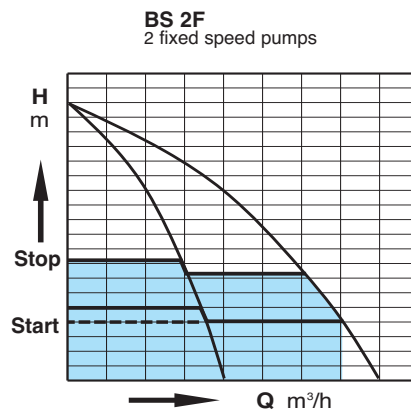
Pressure boosting sets with automatic operation, consisting in 2 and 3 pumps on a common baseplate, with suction and delivery manifolds, gate and non-return valves, pressure switches, pressure gauge, control panel and from 100 to 1000 litres diaphragm tank (on request).



### Operation

The control panel, with electronic card, manages the pump operation, the changeover of pump starting sequence and it stops the system when there is no air in the tank (patented system).

Pumps starting in a cascade sequence, with a signal from the pressure switches.

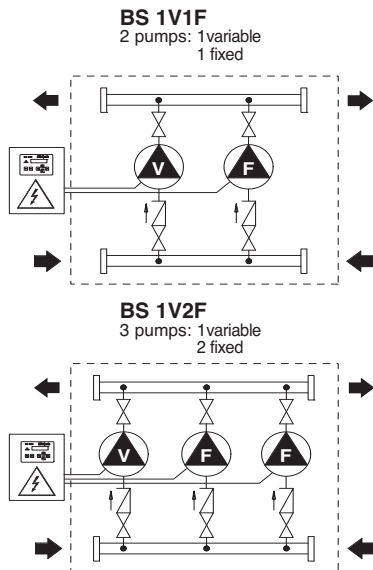


## BSV.F.

1 variable speed pump (with frequency converter)  
1 to 5 fixed speed pumps

### Construction

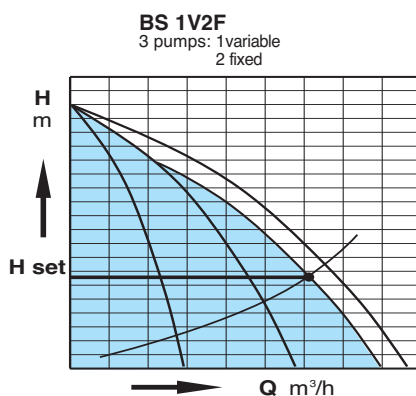
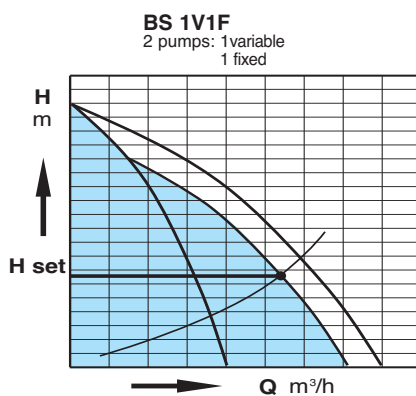
Pressure boosting sets with automatic operation, consisting of 1 variable speed pump with frequency converter and from 1 to 5 fixed speed pumps, assembled on a common baseplate, with suction and delivery manifolds, gate and non-return valves, pressure gauge, control panel and 20 litres diaphragm tank (on request).



### Operation

The control panel, with electronic card, manages the pump operation, the changeover of fixed speed pumps starting sequence. Pumps starting is in a cascade sequence, with a signal from the pressure transducer.

Constant pressure is guaranteed by the variable speed pumps, while fixed speed pumps start when the request is higher than the capacity of the variable speed pump.

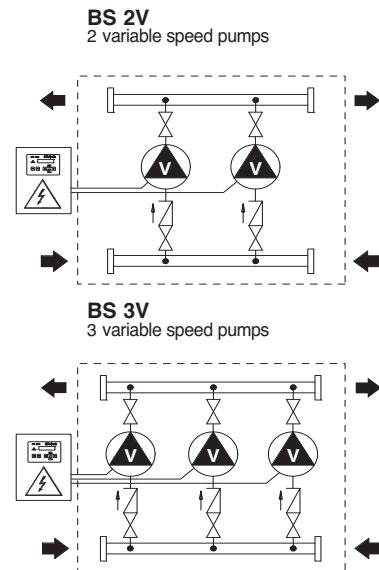


## BSV

2-6 variable speed pumps (with frequency converter)

### Construction

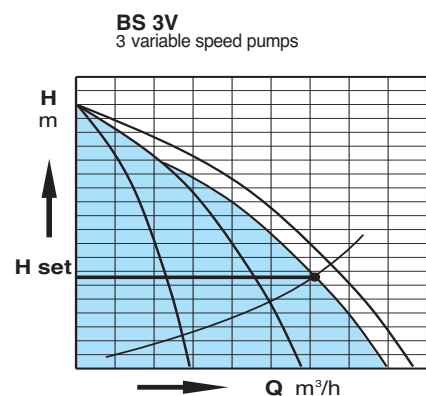
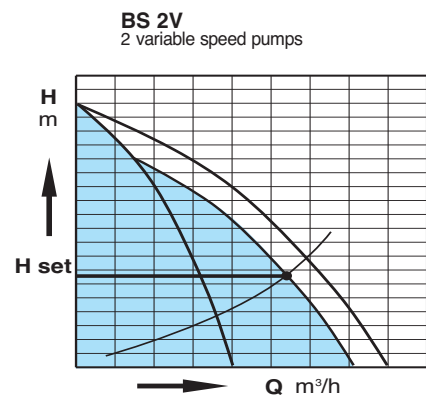
Pressure boosting sets with automatic operation, consisting of variable speed pumps (from 1 to 6) with frequency converter, assembled on a common baseplate, with suction and delivery manifolds, gate and non-return valves, pressure transducer, pressure gauge, control panel and 20 litres diaphragm tank (on request).



### Operation

The control panel, with electronic card, manages the pump operation, the changeover of pumps starting sequence.

Pumps starting in a cascade sequence, with a signal from the pressure transducer.



## Fixed speed pump units

### New electrical control panels for fixed speed pump units.

New electrical control panels for pressurisation units, all with electronic card with microprocessors, for managing pump operation.

**The microprocessor** carries out continuous secure checks during all the various work phases of the pumps and incorporates all necessary functions, thus reducing electrical and electronic components inside the panel.

#### In particular:

- pumps starting in a cascade sequence according to water demand.
- changeover of pump starting sequence.
- delay start-up of the 2nd/3rd pump in case of breakdown of pressure switch 1 or after a power cut.
- avoid pump starting in case of water hammering.
- activate the alarm when pressure 1 fails.
- activate the alarm when air cushion in the vessel drops.
- stop the pump when air cushion is over.

#### Maximum clarity for all signals

The status of the unit can easily be identified on the front of the electronic card with the following signals:

- Power on.
- No water.
- Failure.
- Pump running.
- Thermal block.
- Pump automatic operation.
- Pump stop.

#### Maximum simplicity of control

The front of electronic card features the following signals and controls:

- AUT-STOP push-button (1 for each pump)
- MAN push-button (1 for each pump)
- RESET push-button.

#### Optional remote control

The RA 100 panel enables a remote warning light and acoustic signal.

#### Control panel for units up to 6 pumps

Using the MPS 6000 (Multi Pumps System) electronic card it is possible to control pressure units up to a maximum of 6 fixed speed pumps with a single pressure calibration.

#### Automatic air supply systems

The pump control panels are completed by microprocessor controlled systems for automatic air supply in the pressure vessels by means of a compressor or solenoid valve.

#### Operation

For booster sets made up to three pumps: according to the pressure decrease in the system, the pressure switches (pressure transducer for 3-pump sets) make the pumps to start in cascade mode and the starting changeover is made by the microprocessor.

For sets made of 4, 5, 6 pumps: Operation controlled by a microprocessor with signal from a pressure transducer. The pumps operate with only one pressure setting.



# Pressure Boosting Sets



## Variable speed pump units with frequency converter

### New electrical control panels for variable speed pump units.

New electrical control panels for pressurisation units with variable speed pumps.

These are indispensable in all those cases where constant pressure is required and when high pressure pumps are being controlled. All the various working phases are managed and controlled by the MPS 4000 (Multi Pumps System) electronic card with microprocessor, which can operate up to 6 pumps working simultaneously.

### Maximum clarity of signals

All the various calibration parameters appear as messages on the display of the MPS 4000 electronic card.

If there are any faults or defects a message appears on the display giving details of the problem.

### Possibility of remote control

The pump status can be displayed and the unit can be controlled by means of a special computer program.

It is possible to obtain a remote warning light and acoustic signal on the RA 100 panel.

### Constant or increased pressure

All the pumps can work with the same pressure value (set point), or, for systems with high head losses, the pressure can be increased depending on the number of pumps operating.

### Silent operation

Motors working at reduced speed and check valves that close gradually mean that operation is particularly quiet.

### Long life for pumps

All the mechanical components of the pumps and motors are stressed to a minimum, due to the variable speed operation.

### Energy savings

The motors consume only the precise level of power necessary moment to moment, in order to supply the quantity of water required by the system.

### No more high capacity vessels

The use of inverters means that high capacity pressure vessels and membrane vessels are no longer necessary. Even units with high flowrate pumps only require a small number of 20 litre membrane vessels.

### Great versatility

The great versatility of the MPS 4000 electronic card enables the construction of special units with operational logics different from those of normal pressurisation units, depending on the requirements and characteristics of the systems.

### Operation

Depending on water consumption, one or more pumps are activated, all at variable speed, in order to guarantee the quantity of water required at the set pressure.



# Pressure Boosting Sets



## Variable speed pump units with EASYMAT

### EASYMAT for variable speed pump units.

Variable speed system driven by frequency converter, for the pressure control in domestic and residential plants. The system maintains constant pressure whilst the controlling the pump operation against changing system demand.

### Maximum clarity of signals

Easymat is equipped with a control panel for simple system programming and parameter monitoring.

The **2 scroll buttons** are used to scroll the different operating parameters that EASYMAT can show.

At the same time you can use the 2 scroll buttons to move in the set up menu and to change the different options.

The LCD custom display gives an easy overview of the system situation and of the operating parameters.

The icons on the top and below the display area explain in which way EASYMAT is working and if there are problems on the system.

The four set-up buttons allow the operator to move between and set-up the menu's and to start and stop the pump. The symbols help to make the function of each button clear.

With **these 4 buttons and the 2 scroll buttons** you can manage all the set-up and operating parameters without the use of an other control panel or computer



### Operation

Depending on water consumption, one or more pumps are activated, all at variable speed, in order to guarantee the quantity of water required at the set pressure.



#### CONSTANT PRESSURE MODE:

The system keeps the pressure constant when the quantity of water requested by the user changes. The user can choose the operating pressure according his needs.

#### FIXED SPEED MODE:

The system works at a fixed speed that user can choose according his needs.

The system is connected to the delivery pipe providing for simple installation and better cooling (patented) making the unit more compact and easy to assemble.

Easymat is supplied with one pressure transducer, G 1/4 connection and 1.5 m cable length.

### For protection of the pumps:

- Against dry running
- Against operations with closed connection ports
- Against overcurrent of the motor
- Against overvoltage and undervoltage of the power supply

### Silent operation

Motors working at reduced speed and check valves that close gradually mean that operation is particularly quite.

### Long life for pumps

All the mechanical components of the pumps and motors are stressed to a minimum, due to the variable speed operation.

### Energy savings

The motors consume only the precise level of power necessary moment to moment, in order to supply the quantity of water required by the system.

### No more high capacity vessels

The use of inverters means that high capacity pressure vessels and membrane vessels are no longer necessary. Even units with high flowrate pumps only require a small number of 20 litre membrane vessels.



# Pressure Boosting Sets



## Variable speed pump units with I-MAT

### I-MAT for variable speed pump units.

Variable speed system driven by frequency converter, for the pressure control in domestic and residential plants.

The system maintains constant pressure whilst the controlling the pump operation against changing system demand.

### Maximum clarity of signals

I-MAT is equipped with a control panel that allows to carry out the set-up of the system and to monitor all system parameters.

The control panel is inside a IP55 enclosure which is possible to rotate and install in remote positions.

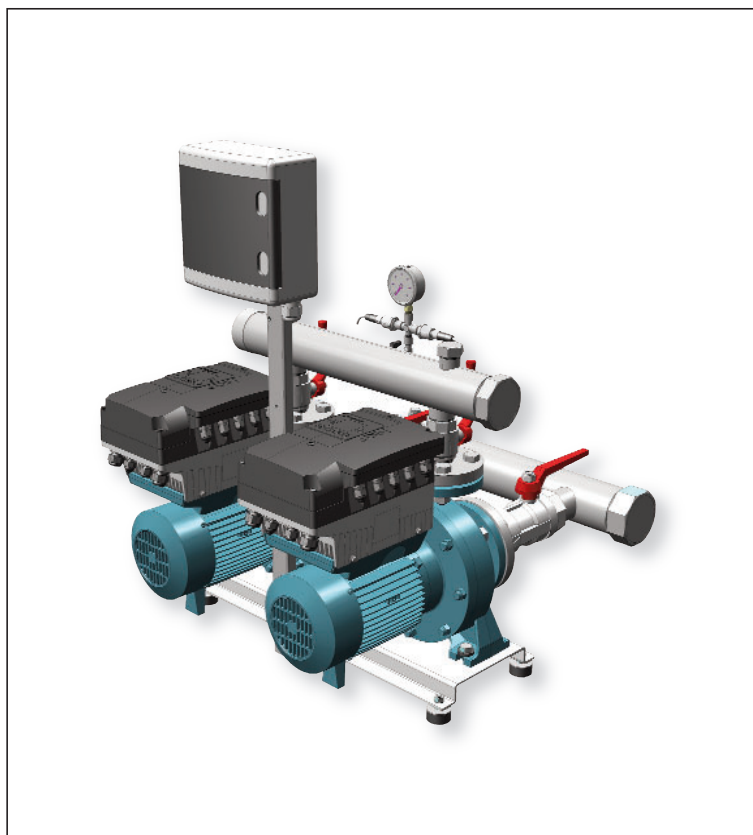
It is possible use the control panel in remote positions by means a cable with M12 connectors (standard cable).

The LCD custom display gives an easy overview of the system situation and of the operating parameters.

The icons on the top and below the display area explain in which way I-MAT is working and if there are some problems on the system.

The 2 scroll buttons are used to scroll the different operating parameters that I-MAT can show. At the same time you can use the 2 scroll buttons to move in the set up menu and to change the different options.

The 4 set-up buttons are created to enter and to move on the set-up menus and to start and to stop the pump. The symbols help to understand the function of each button. With these 4 buttons and the 2 scroll buttons you can manage all the set-up and operating parameters without the use of another control panel or computers.



### Operation

Depending on water consumption, one or more pumps are activated, all at variable speed, in order to guarantee the quantity of water required at the set pressure.



#### Constant pressure mode

Constant pressure keeps the pressure constant at a fixed value set by the user. This value of pressure is automatically kept by the system to provide to the final user a constant pressure even with different water demand, within the maximum performance of the motor-pump system.



#### Proportional pressure modes

Proportional pressure reduces the pressure of the pump (and as a consequence, the operating frequency) proportionally with the water demand of the system.



#### Constant temperature mode

In this operating mode the system is used to keep the temperature at a constant value in a specified system point.



#### Constant flow mode

Constant flow mode grants that system change the speed of the pump in order to keep constant the flow which pass inside a flow meter.



#### Fixed speed mode

In this operating mode the system work as a fixed speed pump. The speed of the pump could be set by the user between a range of speeds, or controlled by an external signal.



#### Night mode

The night mode is an optional mode which allows to reduce the speed of the pump if the temperature in the system decreases below a set value, this operating mode can be used with all operating modes over described.

### Silent operation

Motors working at reduced speed and check valves that close gradually mean that operation is particularly quite.

### Long life for pumps

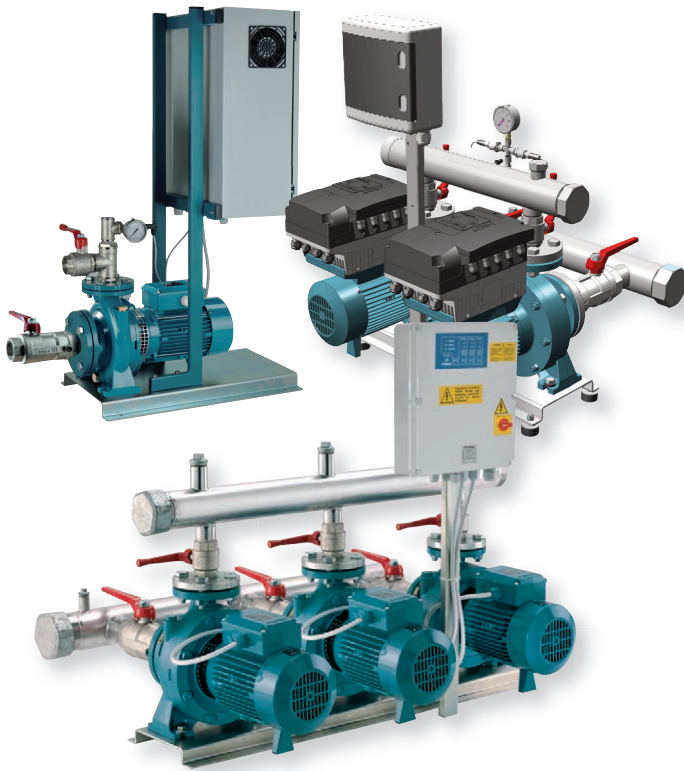
All the mechanical components of the pumps and motors are stressed to a minimum, due to the variable speed operation.

### Energy savings

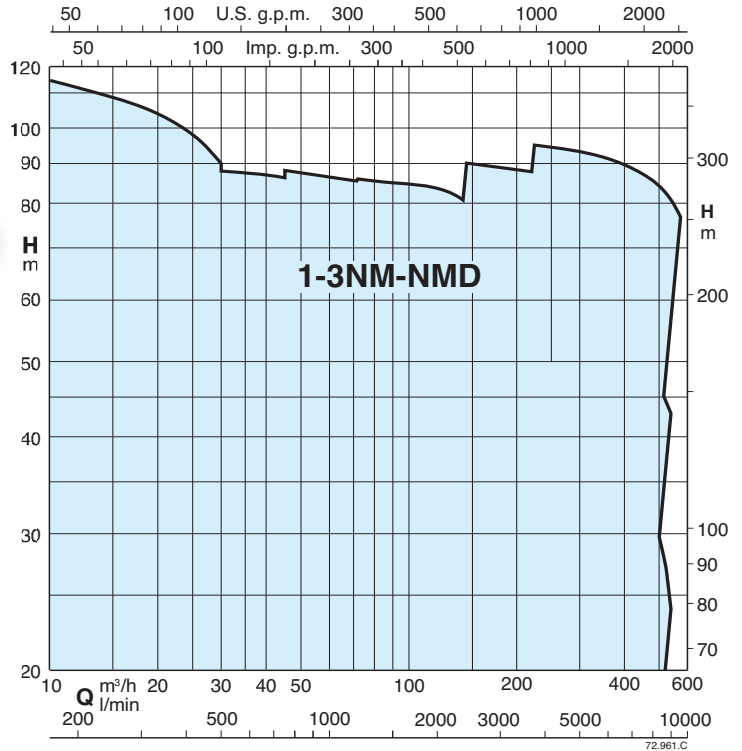
The motors consume only the precise level of power necessary moment to moment, in order to supply the quantity of water required by the system.

### No more high capacity vessels

The use of inverters means that high capacity pressure vessels and membrane vessels are no longer necessary. Even units with high flowrate pumps only require a small number of 20 litre membrane vessels.



Coverage chart



### Operation

**BS 1-6F Pressure boosting sets with 1 to 6 fixed speed pump. Sets with 4,5 and 6 pumps on request.**  
Depending on the reduction of the pressure in the system, the pressure switches (pressure transducer for 3-pump sets) determine the starting up of the pumps in sequence and the microprocessor alternates the starts.

**BS2-3V Pressure boosting sets with 2 to 3 variable speed pumps (with I-MAT).**  
Depending on water consumption, one or more pumps are activated, all at variable speed, in order to guarantee the quantity of water required at the set pressure.

**BS1V2-5F Pressure boosting sets with 1 variable speed pump (with frequency converter into the control panel) and from 1 to 5 fixed speed pumps**  
**Sets with 4,5 and 6 pumps on request.**  
According to the water consumption, one or more pumps start, one at variable speed and the others at fixed speed, to grant the water quantity required at the set pressure.

**BS1-6V Pressure boosting sets with 1 to 6 variable speed pumps (with frequency converter into the control panel).**  
**Sets with 4,5 and 6 pumps on request.**  
Depending on water consumption, one or more pumps are activated, all at variable speed, in order to guarantee the quantity of water required at the set pressure.

### Construction

- Automatic pressure boosting plant consisting of 1 to 6 centrifugal pumps complete with ball, non return valve on the suction side and ball valves on the delivery side.

### Suction and delivery manifolds for boosting sets with 2,3 pumps:

- stainless steel AISI 304 up to 2NM 40.. and 3NM 32...
- steel S235JR from 2NM 50.. and 3NM 40...

Connections are located on the delivery manifold for the installation of vessels G1 connection.

### Electrical control boards:

- with microprocessor for fixed speed pump units. Motor starting is D.O.L. up to 5,5 kW and Y/Δ for power rating 7,5 up to 55 kW.
- with frequency converter for variable speed pump units.

The unit includes one pressure gauge and three adjustable differential pressure switches or pressure transducer.

### Applications

To supply water in civil and industrial buildings.  
As pressure boosting pump to increase water pressure when needed (follow local rules).

### Motors

2-pole induction motors, 50 Hz,  $n \approx 2900$  rpm, suitable for operation with frequency converter.  
- Three-phase 230/400V  $\pm 10\%$  up to 3 kW;  
400/690V  $\pm 10\%$  for 4 kW to 55 kW;  
Insulation class F.  
Protection IP 54.  
Constructed in accordance with: IEC 60034.  
Other voltages and frequencies on request.

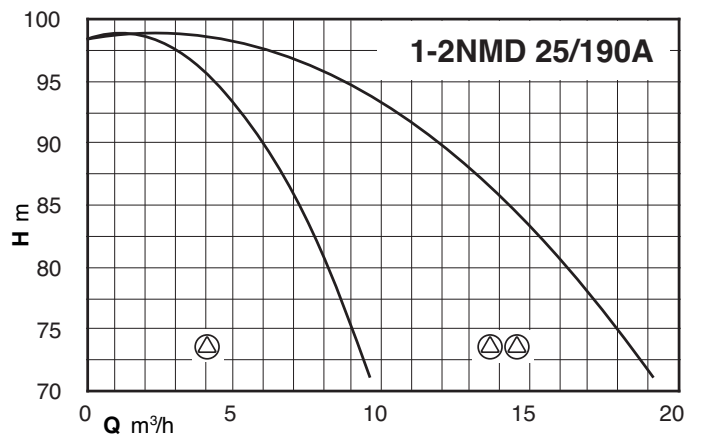
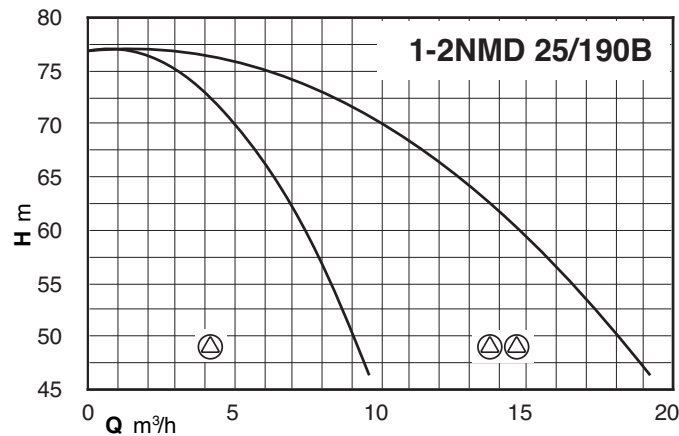
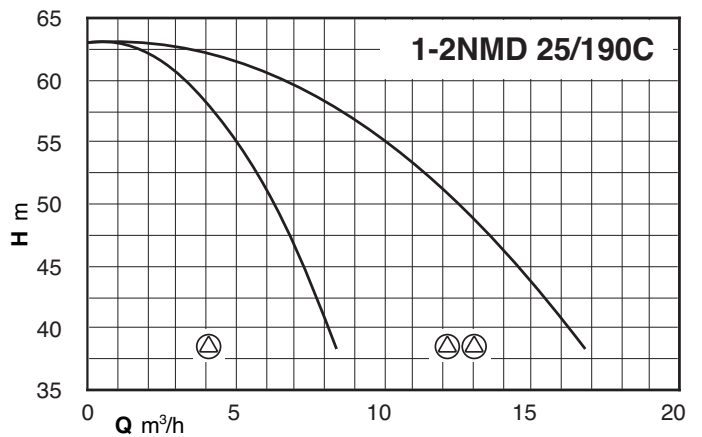
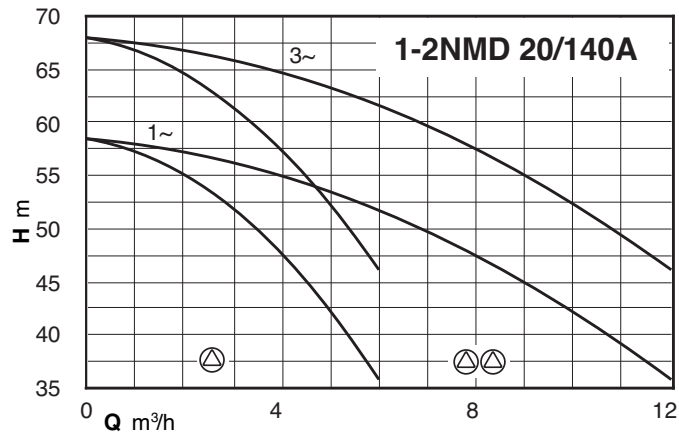
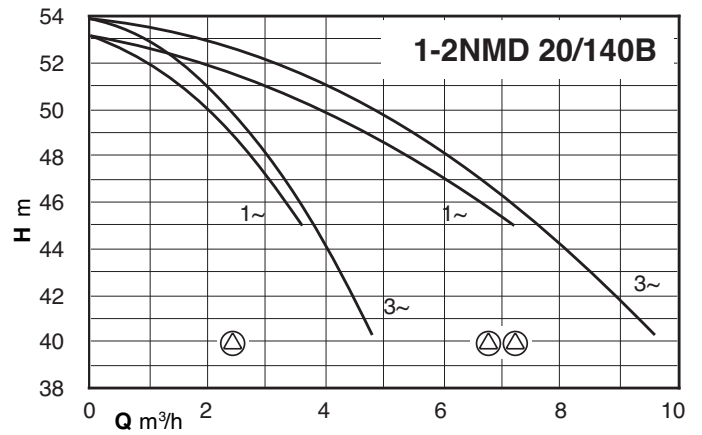
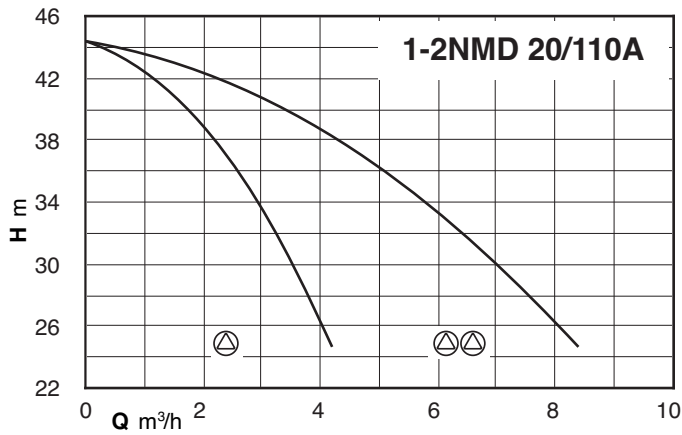
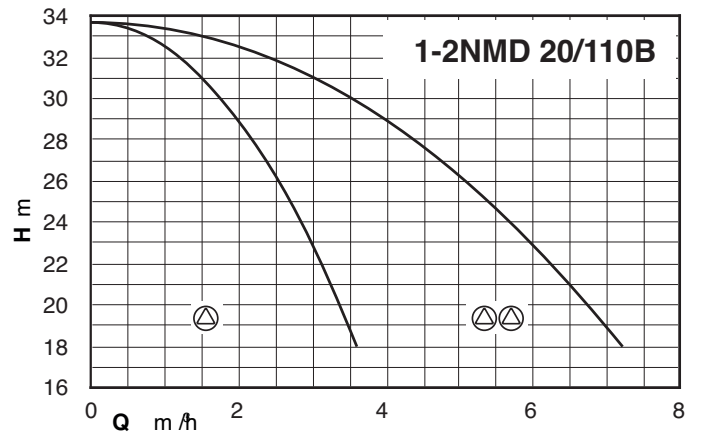
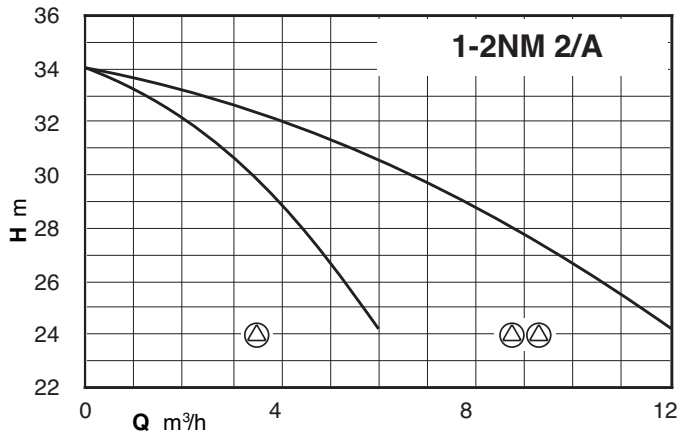
### Vessels on request

When installing the unit, connect in the delivery section to a diaphragm or galvanised tank.  
The recommended sized are shown in the following page.

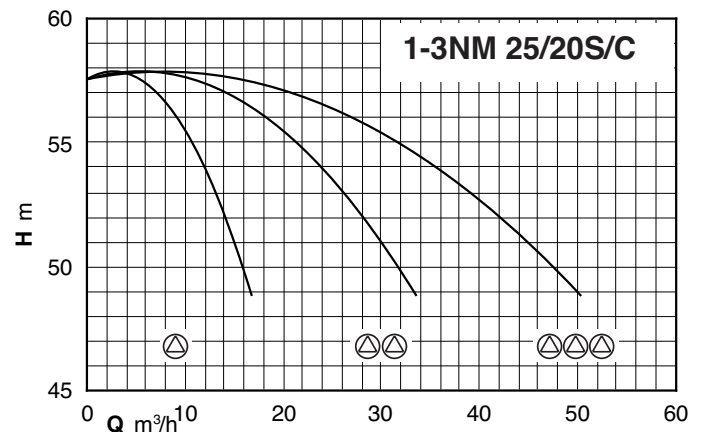
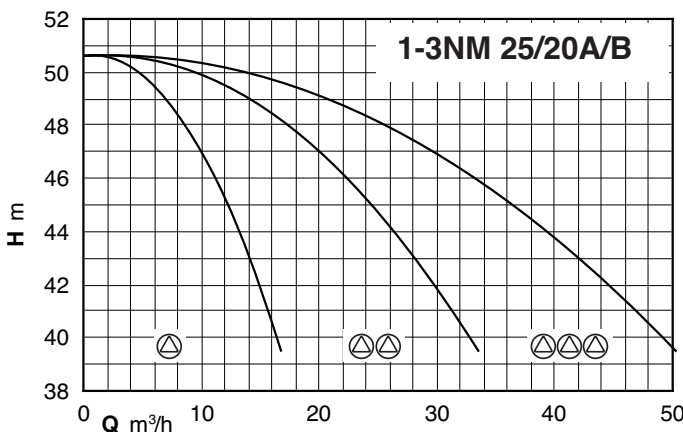
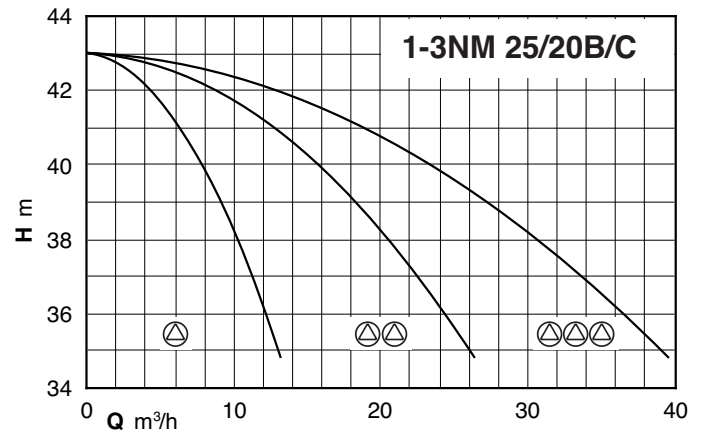
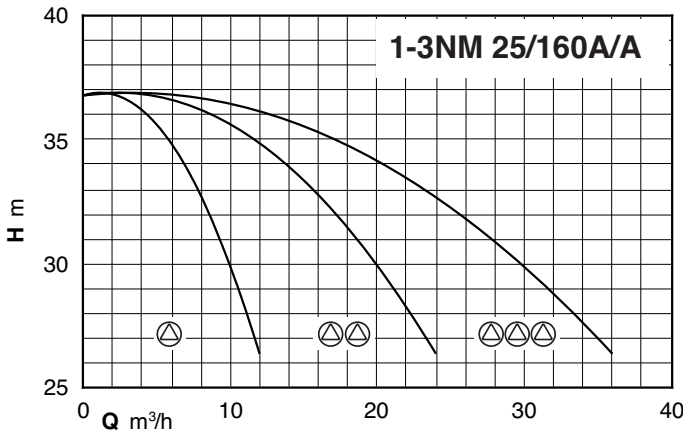
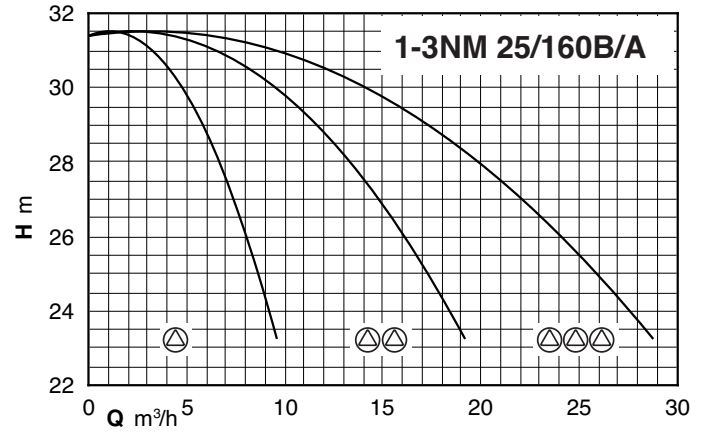
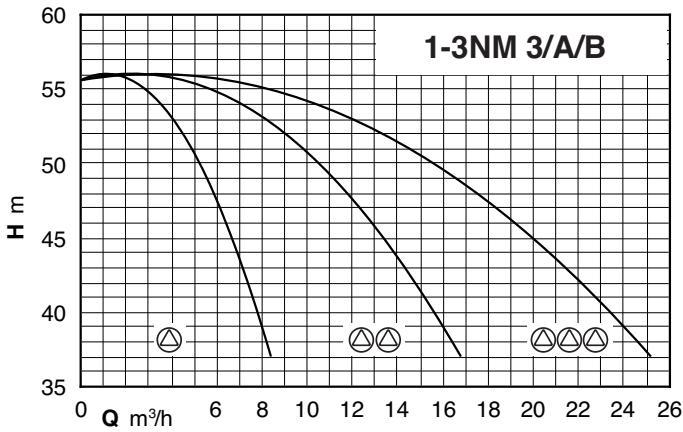
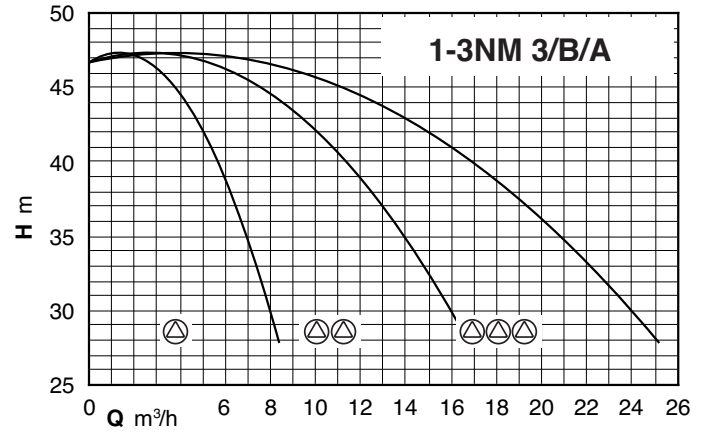
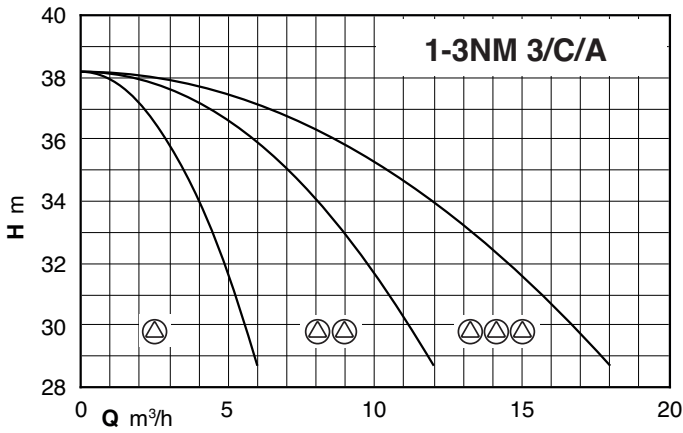
### Special features on request

Pressure boosting sets with 4,5 and 6 pumps.

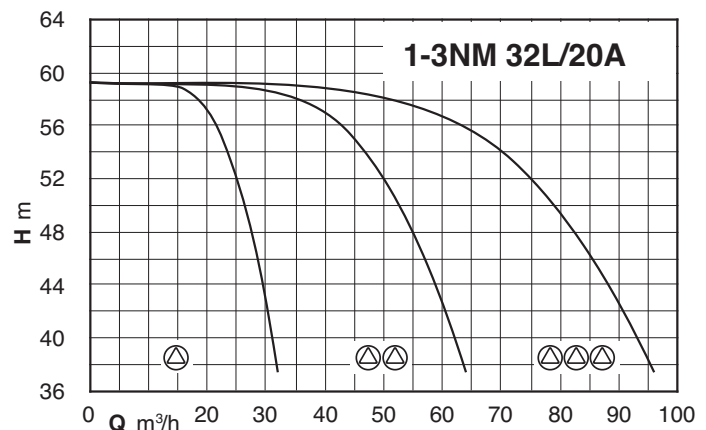
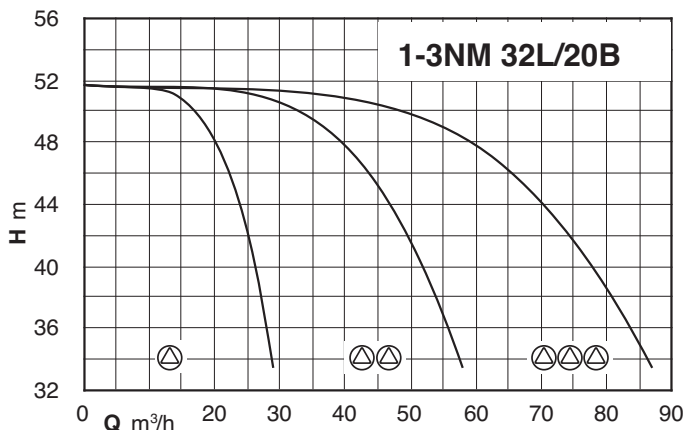
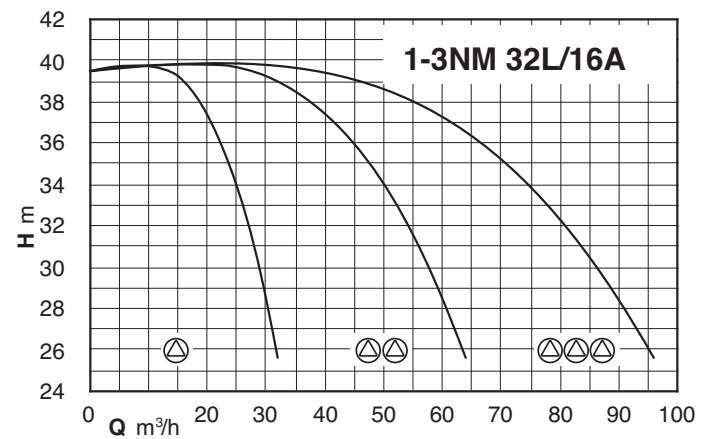
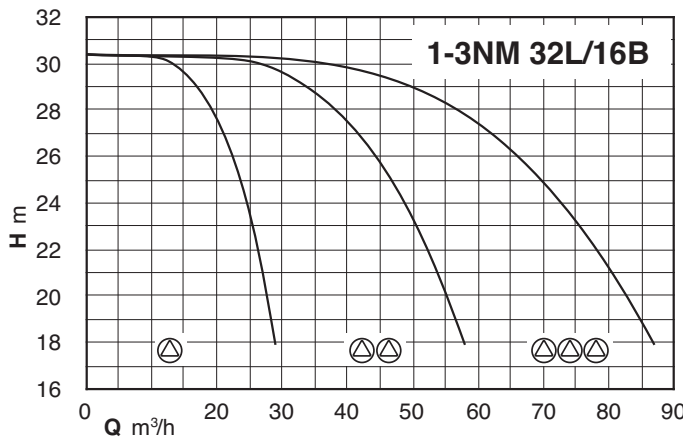
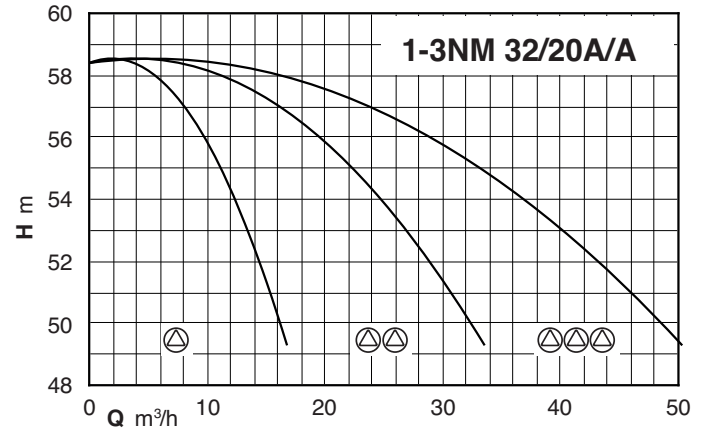
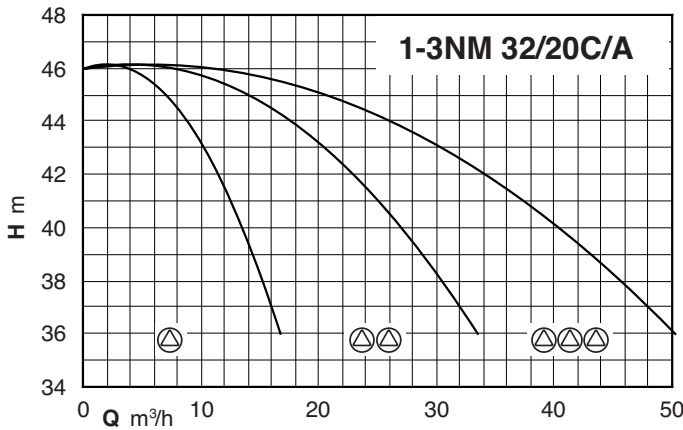
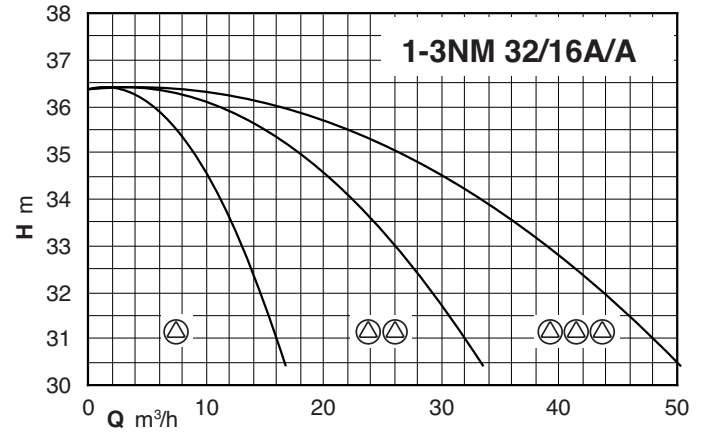
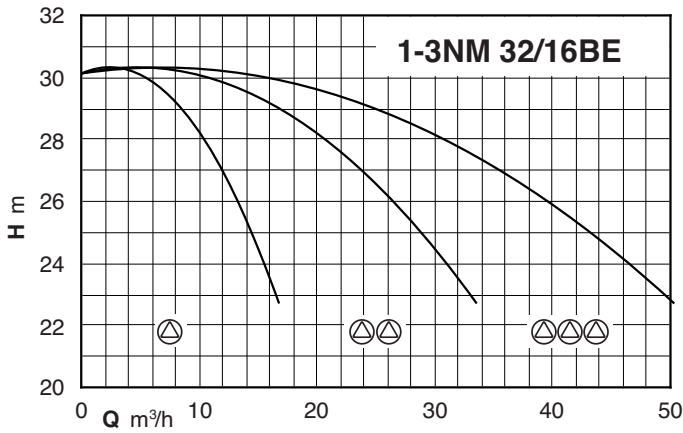
## Coverage chart



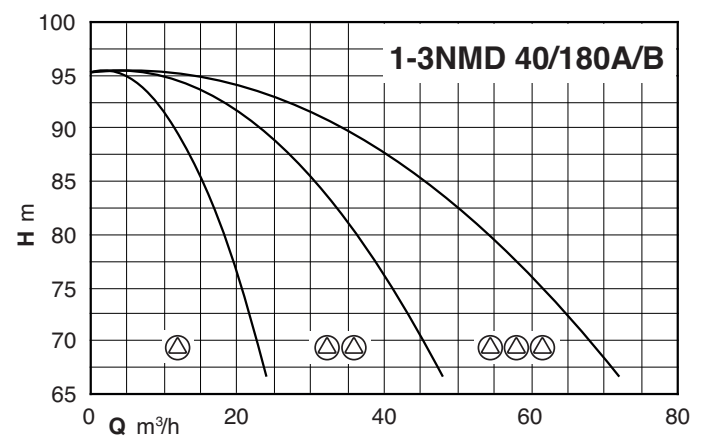
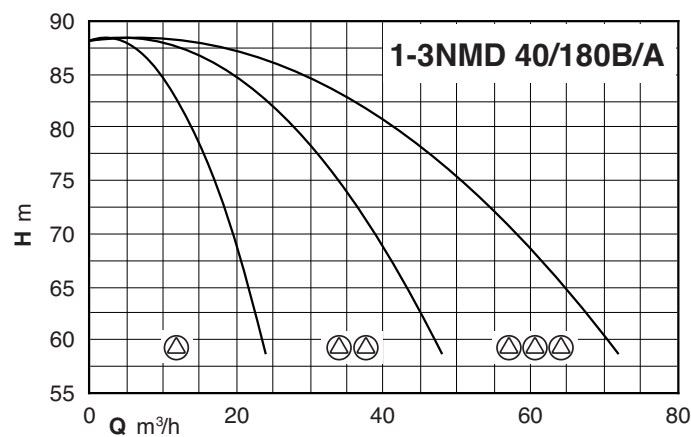
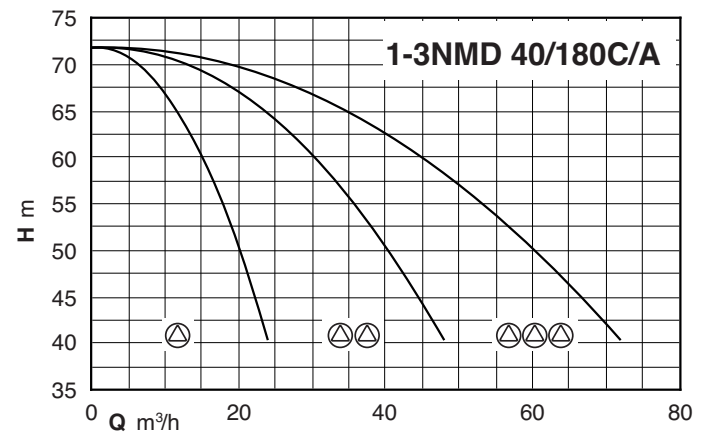
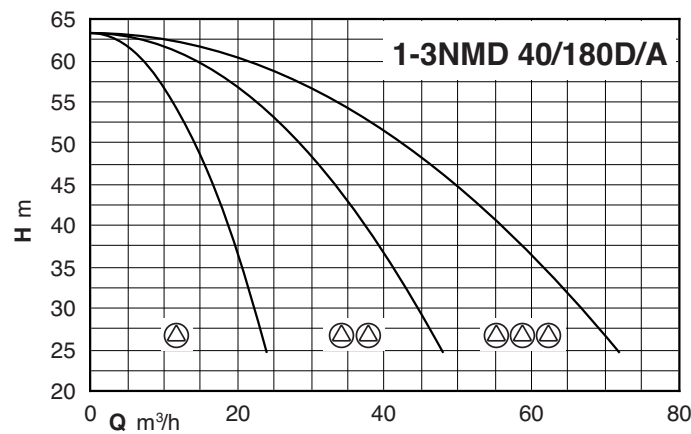
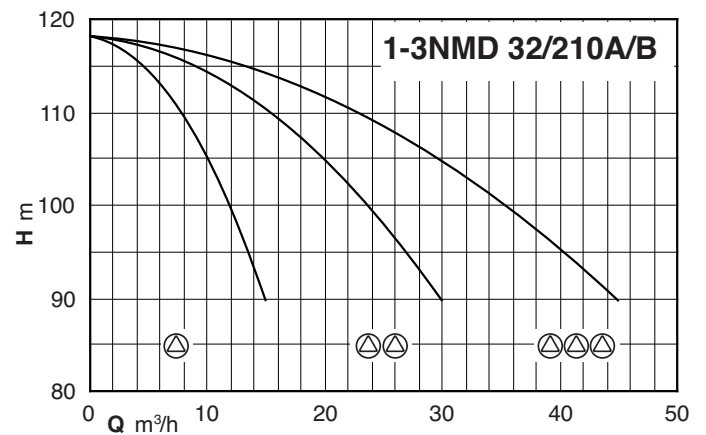
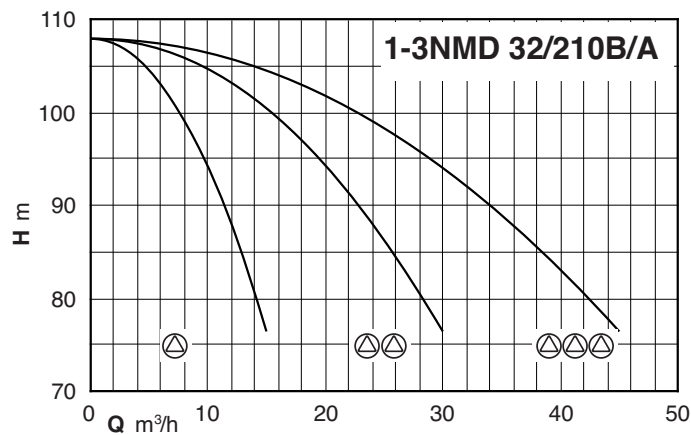
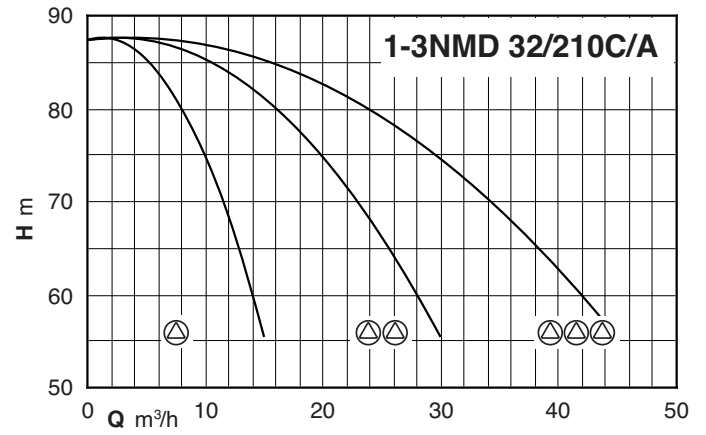
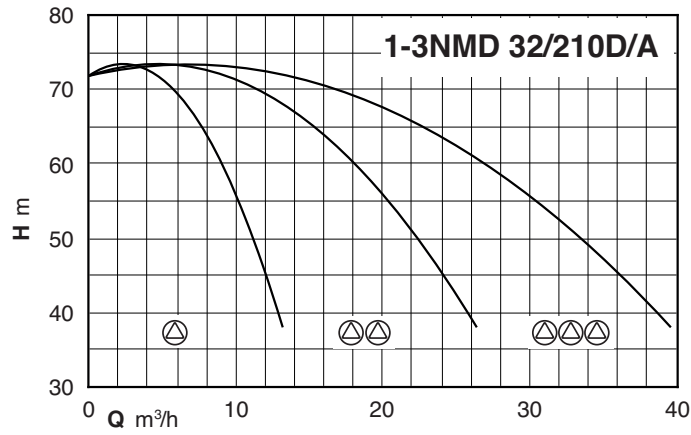
## Coverage chart



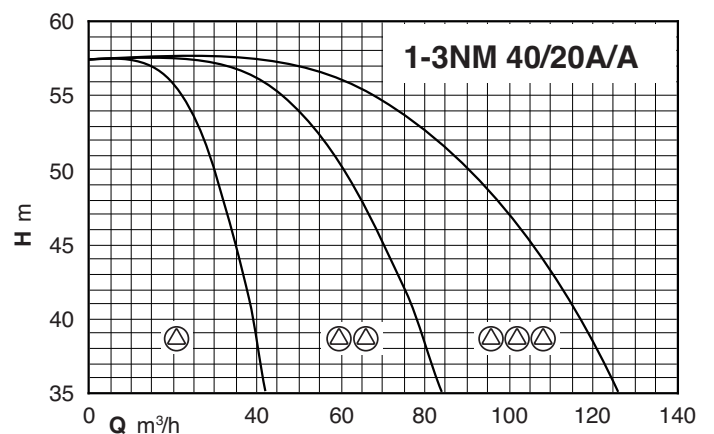
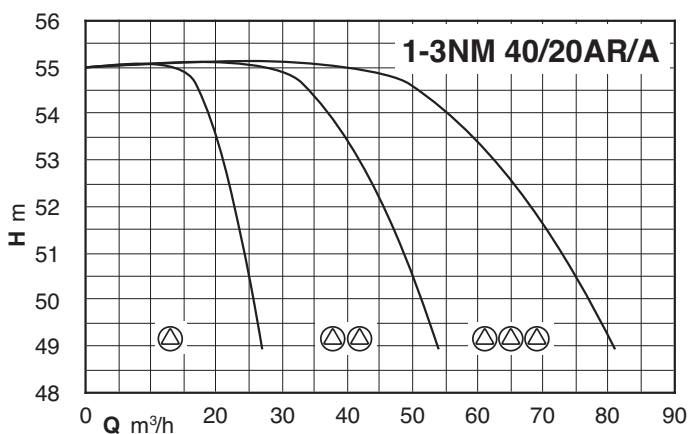
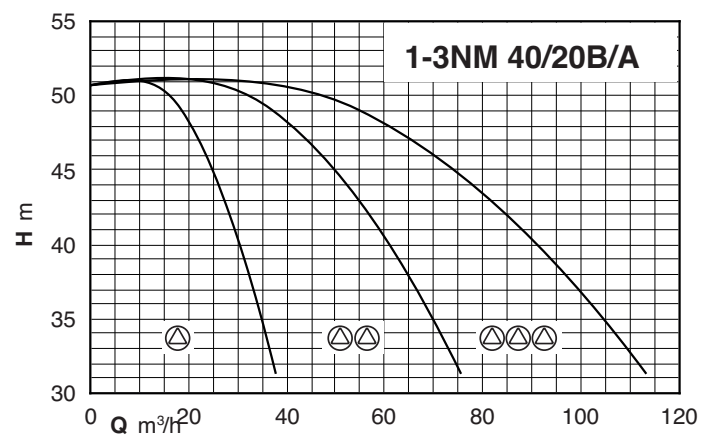
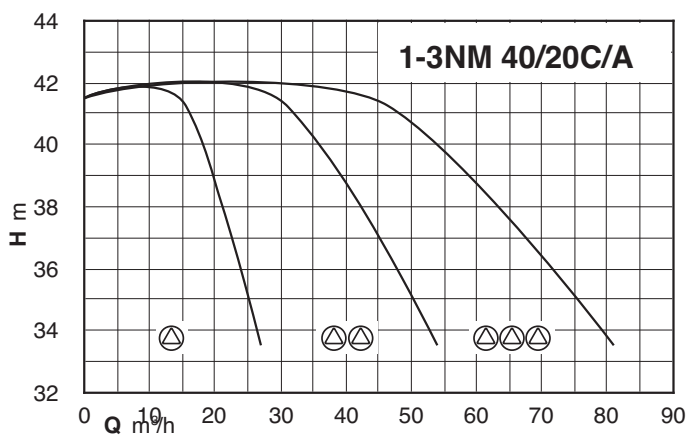
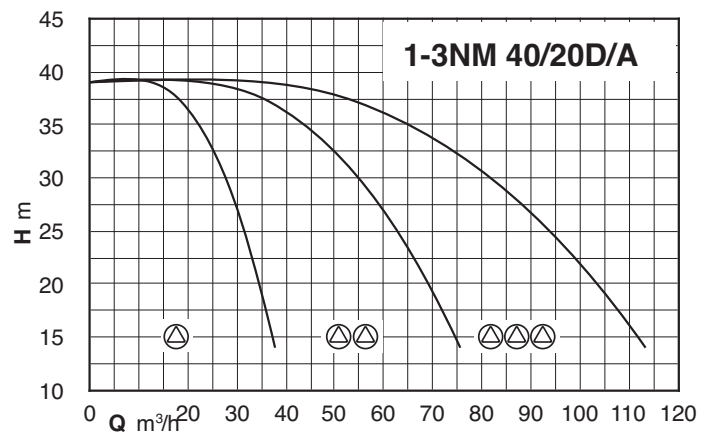
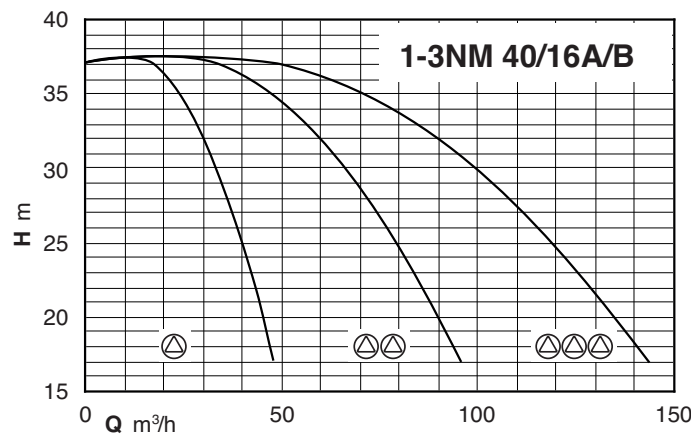
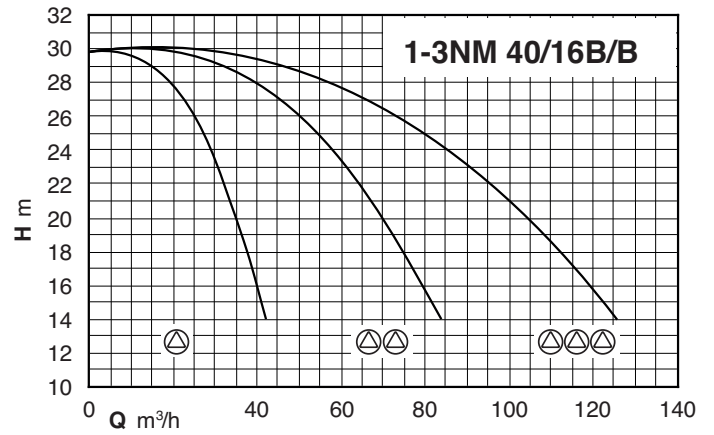
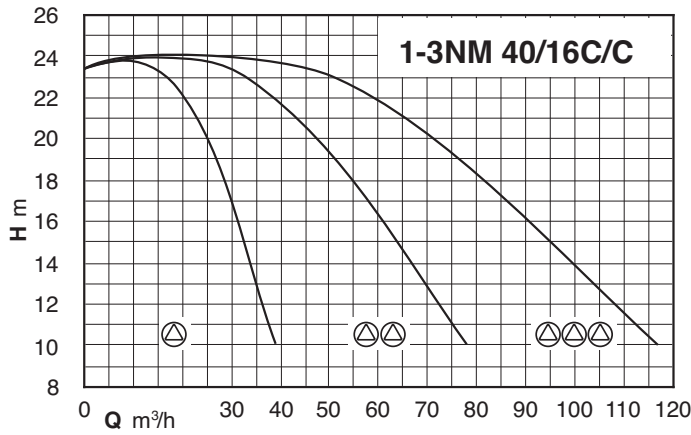
## Coverage chart



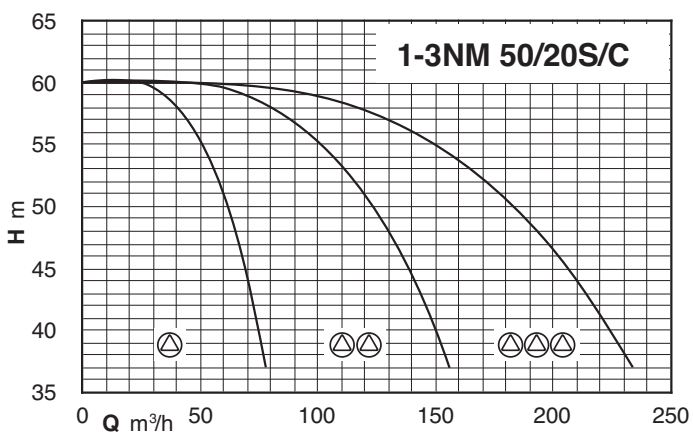
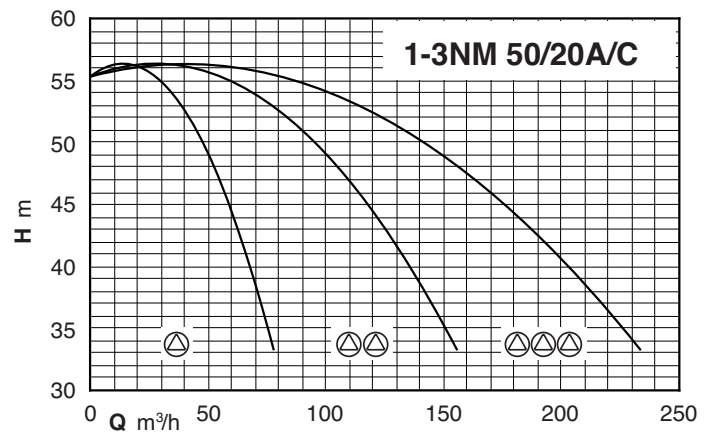
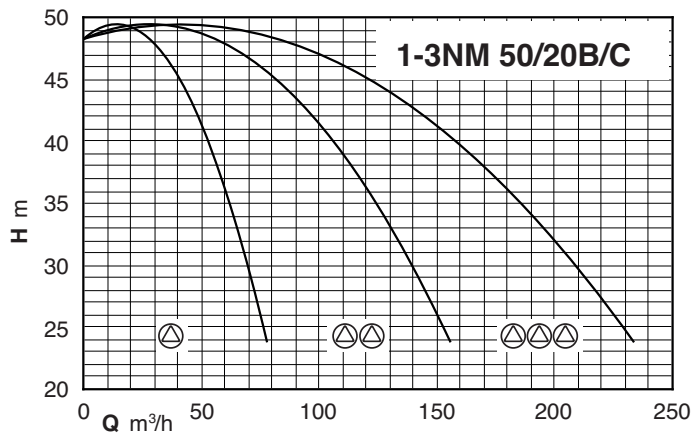
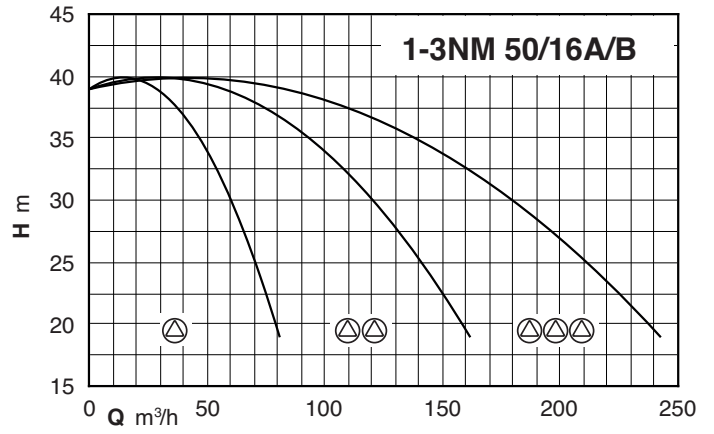
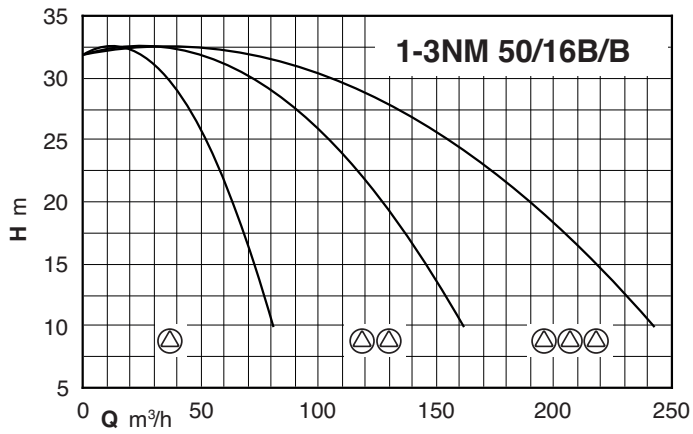
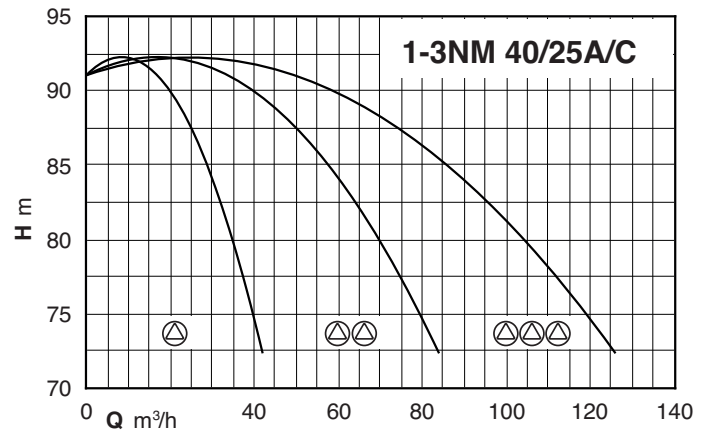
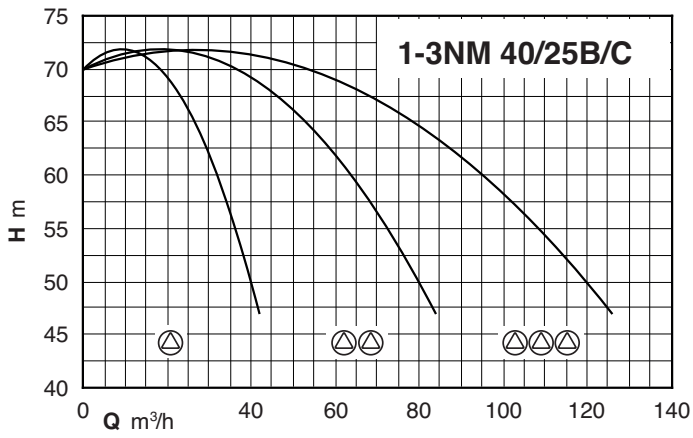
## Coverage chart



## Coverage chart

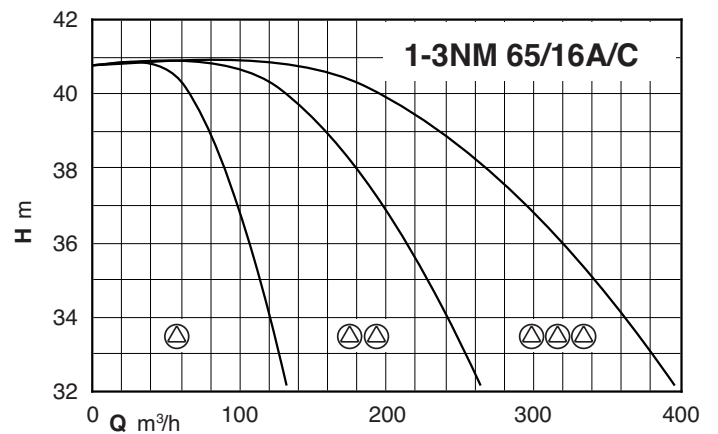
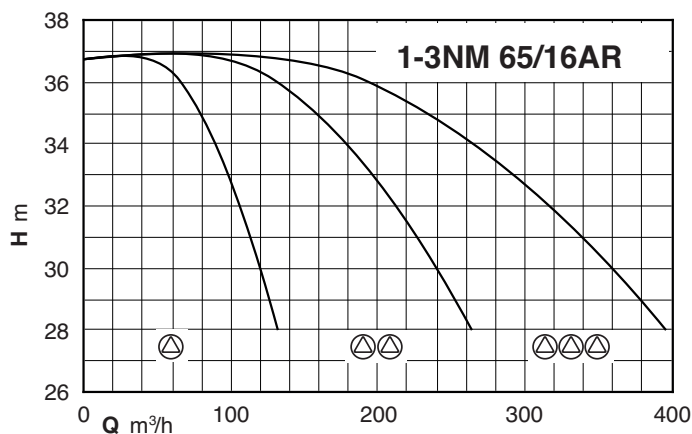
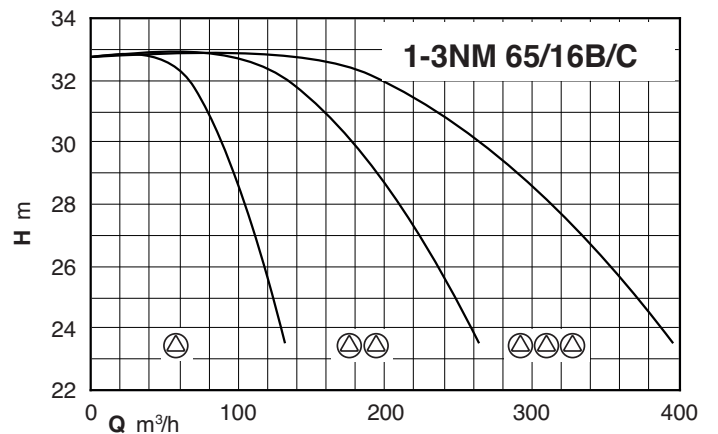
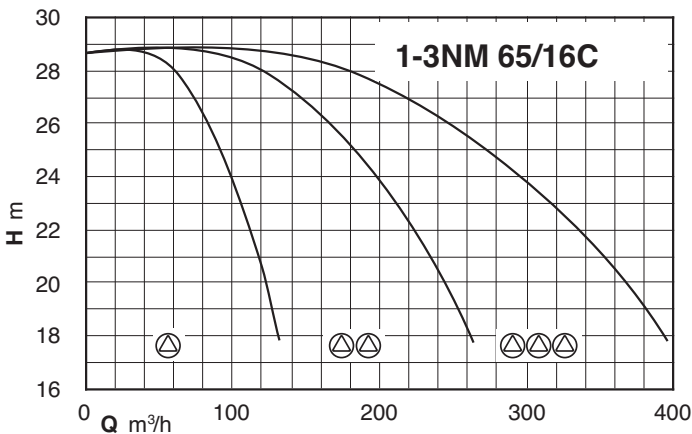
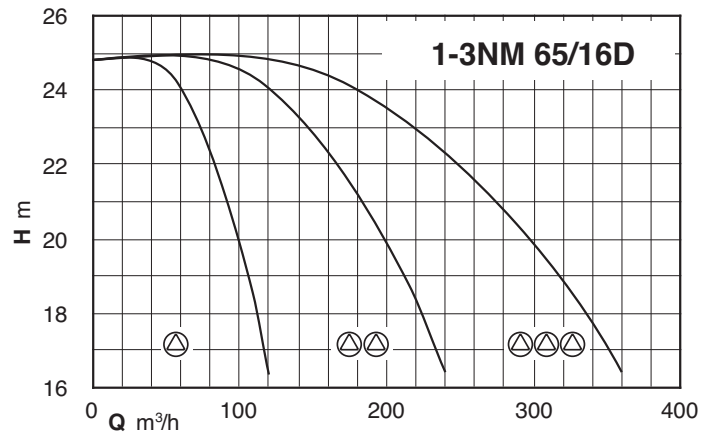
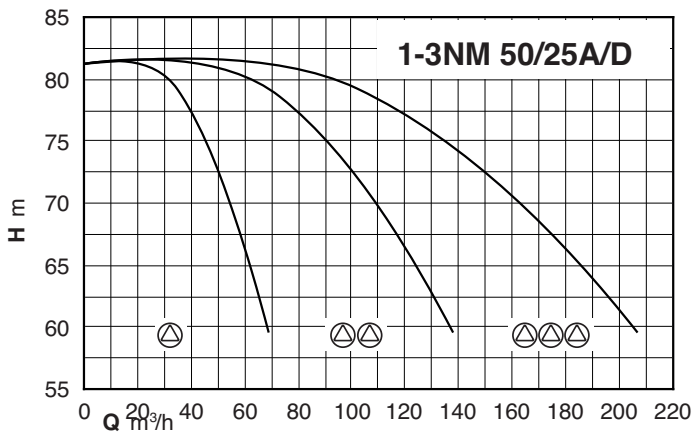
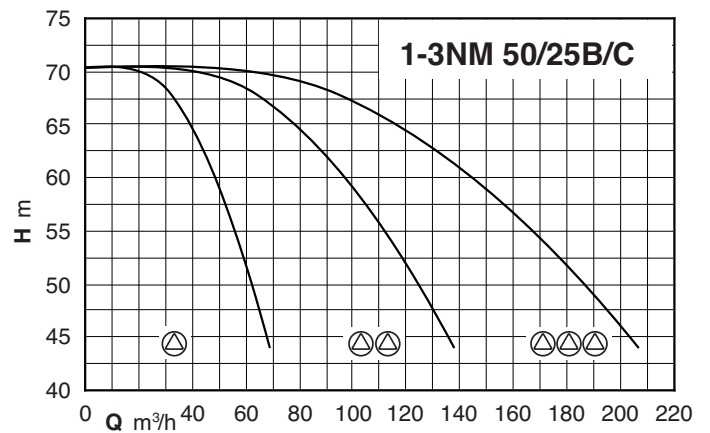
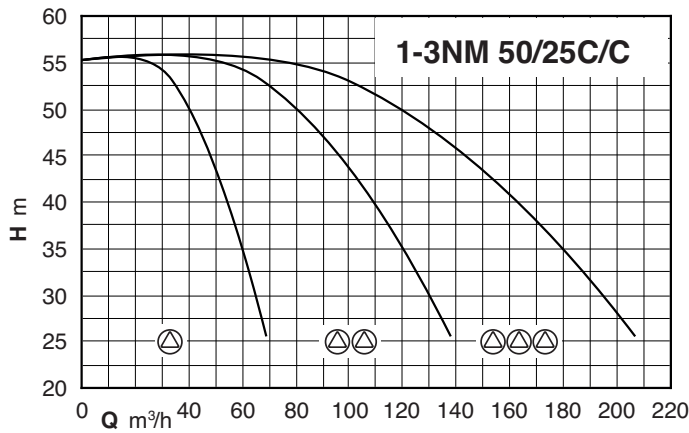


## Coverage chart

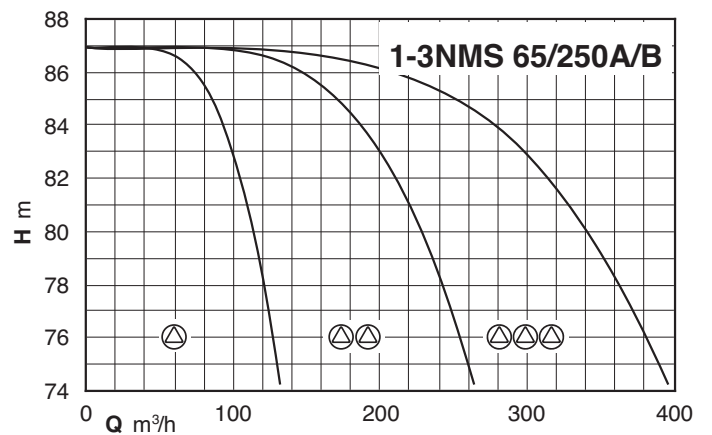
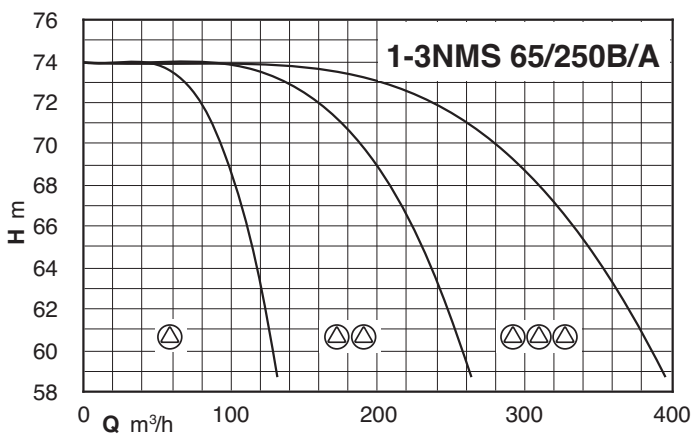
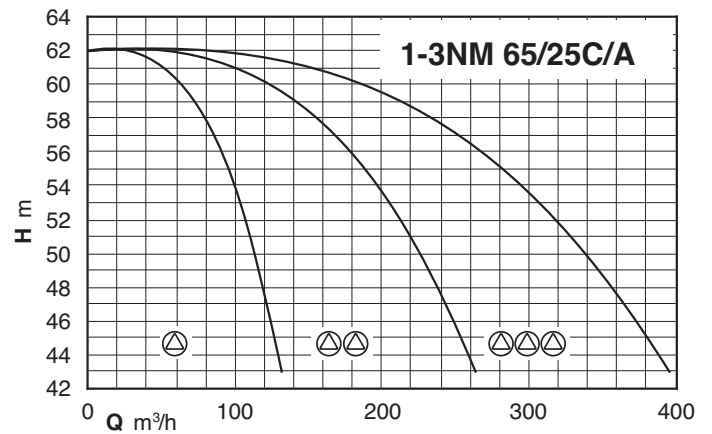
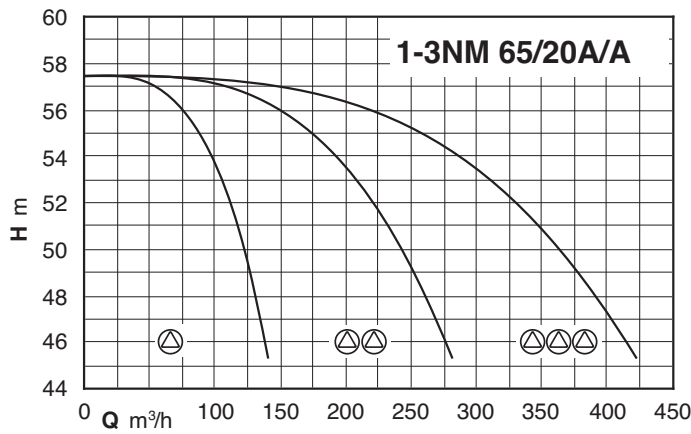
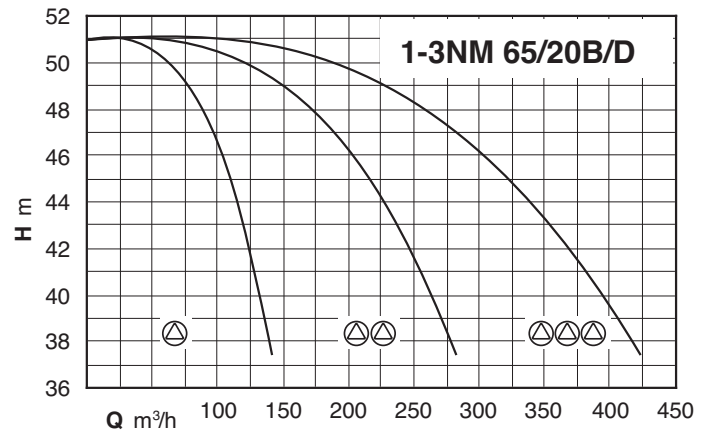
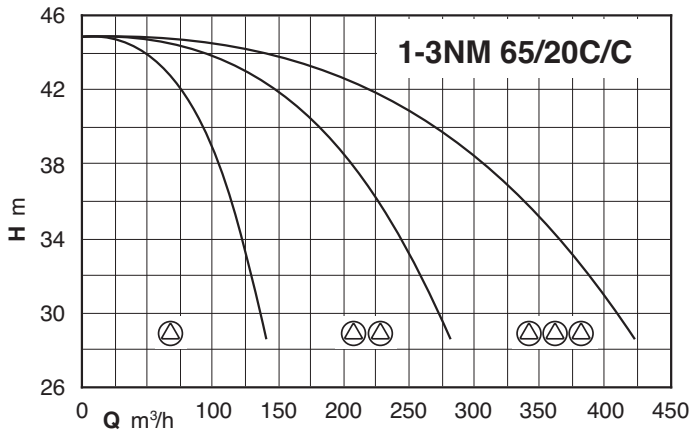




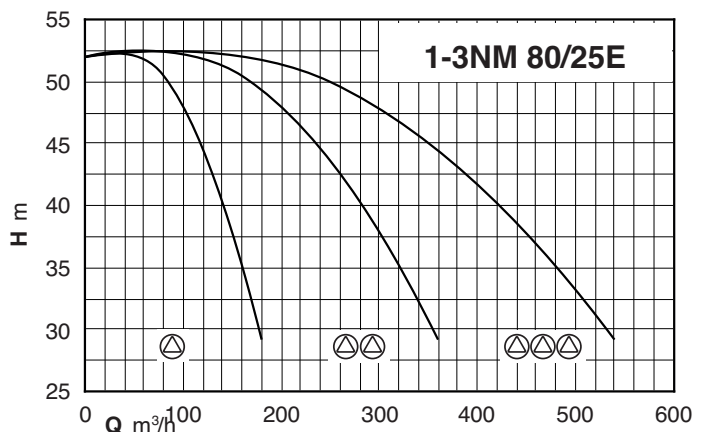
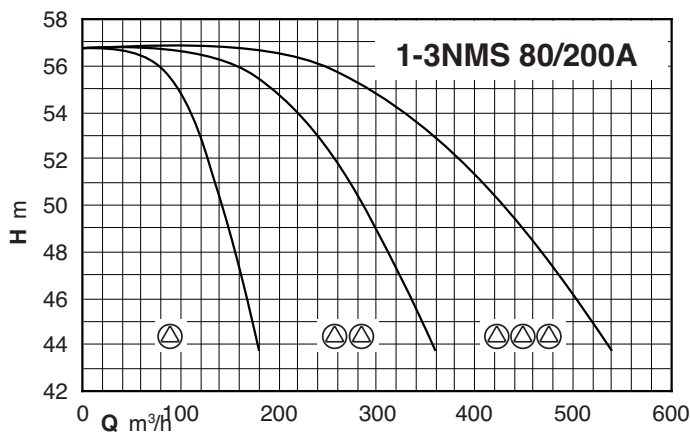
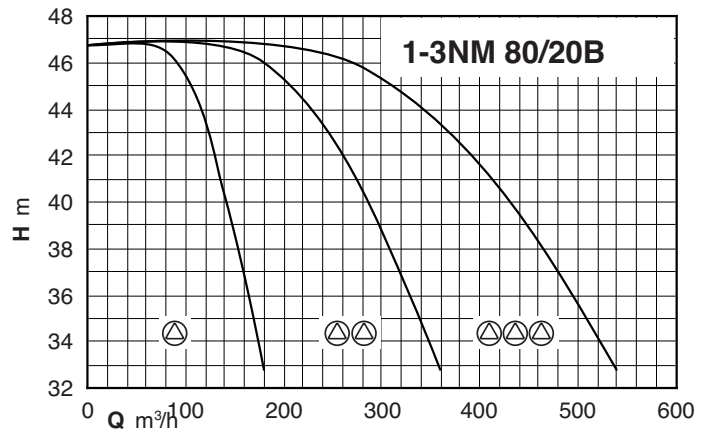
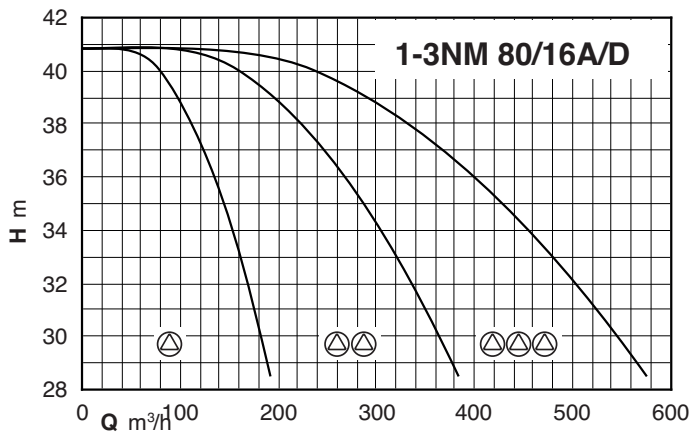
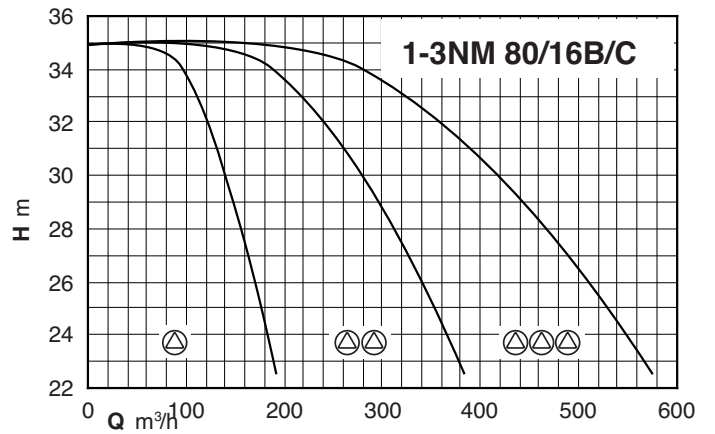
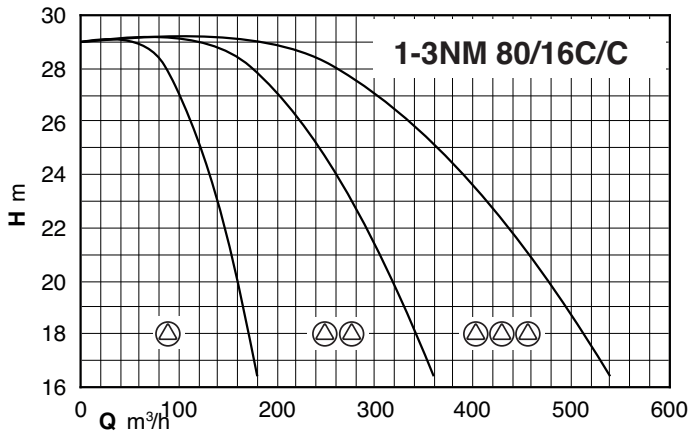
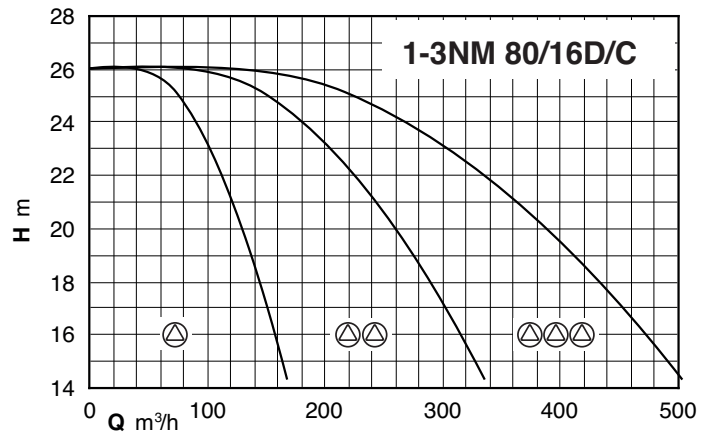
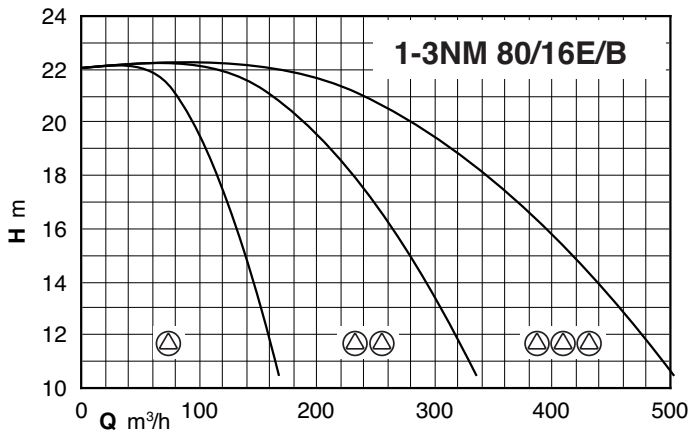
## Coverage chart



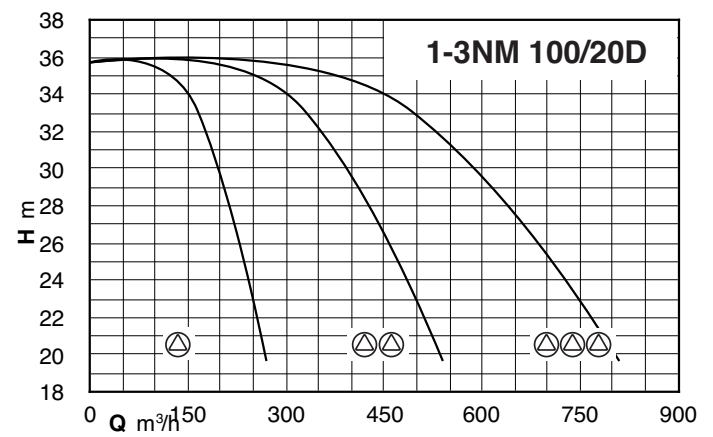
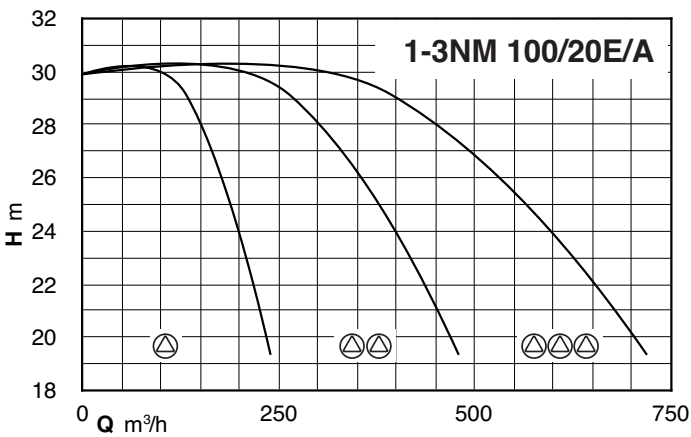
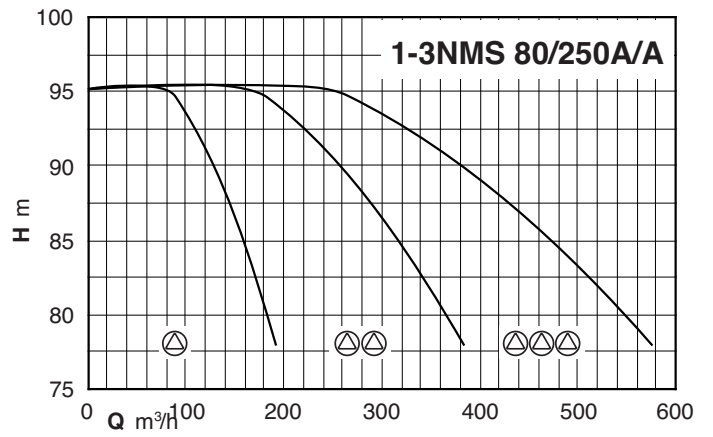
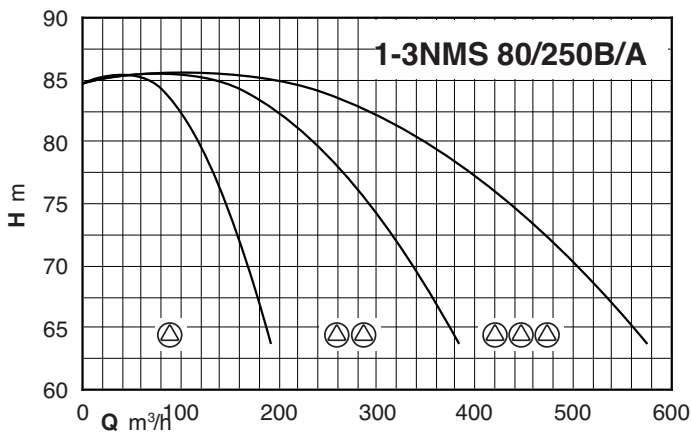
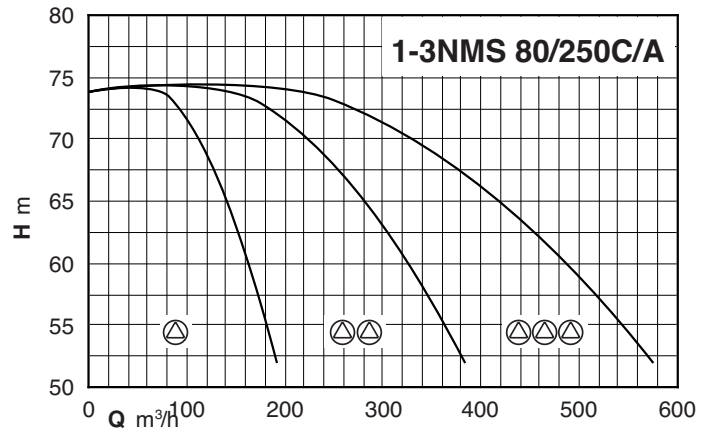
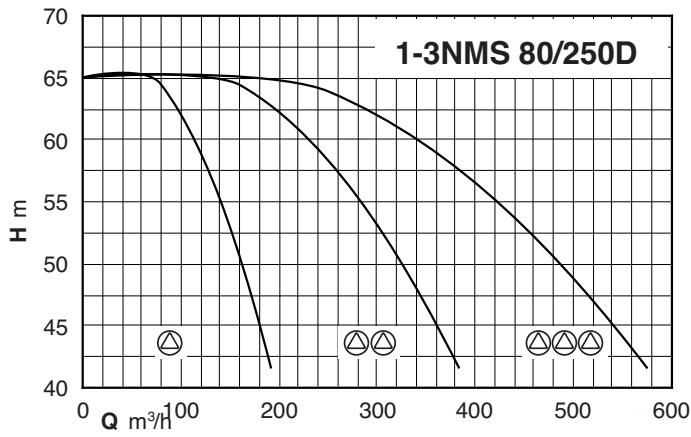
## Coverage chart



## Coverage chart



## Coverage chart



### Performance

#### BS1F

Mains: 400V 3~ Motor: 400V 3~	Motor		Pres. switch 1 bar		Vessel Membrane litre	Vessel litre
	kW	HP	min	max		
BS1F 1NM 32/16B/A	1,5	2	2,2	2,8	500	800
BS1F 1NM 32/16A/B	2,2	3	2,7	3,4	500	1000
BS1F 1NM 32/20C/A	3	4	3,2	4,2	500	1000
BS1F 1NM 32/20A/B	4	5,5	4,5	5,5	750	1000
BS1F 1NM 32L/16B	3	4	1,9	2,7	750	1500
BS1F 1NM 32L/16A	4	5,5	2,8	3,6	1500	3000
BS1F 1NM 32L/20B	5,5	7,5	3,1	4,6	1000	1500
BS1F 1NM 32L/20A	7,5	10	3,7	5,3	1500	3000
BS1F 1NMD 32/210D/B	4	5,5	5	7	500	500
BS1F 1NMD 32/210C/A	5,5	7,5	6	8	500	800
BS1F 1NMD 32/210B/A	7,5	10	8	10	750	1000
BS1F 1NMD 32/210A/B	9,2	12,5	9,5	11	1000	1500
BS1F 1NMD 40/180D/B	4	5,5	4	5,5	500	1000
BS1F 1NMD 40/180C/A	5,5	7,5	5	6,5	750	1500
BS1F 1NMD 40/180B/A	7,5	10	6,7	8,2	1000	2000
BS1F 1NMD 40/180A/B	9,2	12,5	7,5	9	1500	2000
BS1F 1NM 40/16B/B	3	4	1,5	2,5	750	1500
BS1F 1NM 40/16A/C	4	5,5	2,4	3,4	1000	2000
BS1F 1NM 40/20B/A	5,5	7,5	3,7	4,7	1500	3000
BS1F 1NM 40/20A/A	7,5	10	4,4	5,4	2000	4000
BS1F 1NM 40/25B/C	11	15	5,6	6,6	3000	5000
BS1F 1NM 40/25A/C	15	20	7,7	8,7	4000	-
BS1F 1NM 50/16B/B	5,5	7,5	1,7	2,7	2000	4000
BS1F 1NM 50/16A/B	7,5	10	2,5	3,5	3000	5000
BS1F 1NM 50/20B/C	9,2	12,5	3,5	4,5	3000	5000
BS1F 1NM 50/20A/C	11	15	4,2	5,2	4000	-
BS1F 1NM 50/25C/C	11	15	4,1	5,1	4000	-
BS1F 1NM 50/25B/C	15	20	5,6	6,6	4000	-
BS1F 1NM 50/25A/D	18,5	25	6,6	7,6	5000	-
BS1F 1NM 65/16B/C	11	15	2,2	3,2	4000	-
BS1F 1NM 65/16A/R	15	20	2,6	3,6	5000	-
BS1F 1NM 65/16A/C	15	20	3,1	4,1	5000	-
BS1F 1NM 65/20C/C	15	20	3	4	-	-
BS1F 1NM 65/20B/D	18,5	25	3,6	4,6	-	-
BS1F 1NM 65/20A/A	22	30	4,2	5,2	-	-
BS1F 1NM 65/25C/A	22	30	5	6	-	-
BS1F 1NMS 65/250B/A	30	40	6,6	7,6	-	-
BS1F 1NMS 65/250A/A	37	50	7,7	8,7	-	-
BS1F 1NM 80/16B/C	15	20	2,5	3,5	-	-
BS1F 1NM 80/16A/D	18,5	25	2	3	-	-
BS1F 1NM 80/20B	22	30	3,3	4,3	-	-
BS1F 1NMS 80/200A	30	40	4,3	5,3	-	-
BS1F 1NM 80/25E	22	30	3,8	4,8	-	-
BS1F 1NMS 80/250D	30	40	4,5	6	-	-
BS1F 1NMS 80/250C/A	37	50	5,5	7	-	-
BS1F 1NMS 80/250B/A	45	60	6,5	8	-	-
BS1F 1NMS 80/250A/A	55	75	8	9	-	-

## Performance

## BS2F

Mains: 400V 3~ Motor: 400V 3~	Motor		Pres. switch 1 bar		Pres. switch 2 bar		Vessel Membrane litre	Vessel litre
	kW	HP	min	max	min	max		
BS2F 2NMD 20/110B/A	0,45 x2	0,6 x2	2,0	3,0	1,7	2,7	24x2	100
BS2F 2NMD 20/110A/B	0,75 x2	1 x2	2,8	4,0	2,4	3,6	60	100
BS2F 2NM 2/A/B	0,75 x2	1 x2	2,0	3,0	1,7	2,7	80	200
BS2F 2NMD 20/140B/A	1,1 x2	1,5 x2	3,4	4,9	3,2	4,7	80	200
BSM2F 2NMDM 20/140AE	1,5 x2	2 x2	4,0	5,3	3,7	5,0	100	200
BS2F 2NMD 20/140A/A	1,5 x2	2 x2	5,0	6,3	4,7	6,0	100	200
BS2F 2NM 3/C/A	1,1 x2	1,5 x2	2,5	3,5	2,2	3,2	100	200
BSM2F 2NMM 3/BE	1,5 x2	2 x2	3,0	4,0	2,7	3,7	100	300
BS2F 2NM 3/B/A	1,5 x2	2 x2	3,2	4,5	2,9	4,2	100	300
BS2F 2NM 3/A/B	2,2 x2	3 x2	4,0	5,3	3,7	5,0	200	300
BS2F 2NM 25/20B/C	2,2 x2	3 x2	3,0	4,0	2,7	3,7	300	500
BS2F 2NM 25/20A/B	3 x2	4 x2	3,8	4,8	3,5	4,5	500	800
BS2F 2NM 25/20S/C	4 x2	5,5 x2	4,0	5,5	3,5	5,0	500	800
BS2F 2NMD 25/190C/B	2,2 x2	3 x2	4,3	5,8	3,8	5,3	200	300
BS2F 2NMD 25/190B/A	3 x2	4 x2	5,0	7,0	4,5	6,5	200	300
BS2F 2NMD 25/190A/B	4 x2	5,5 x2	7,5	9,0	7,0	8,5	300	500
BS2F 2NM 32/16B/A	1,5 x2	2 x2	2,2	2,8	2	2,6	500	800
BS2F 2NM 32/16A/B	2,2 x2	3 x2	2,7	3,4	2,5	3,2	500	1000
BS2F 2NM 32/20C/A	3 x2	4 x2	3,2	4,2	3	4	500	1000
BS2F 2NM 32/20A/B	4 x2	5,5 x2	4,5	5,5	4	5	750	1000
BS2F 2NM 32L/16B	3 x2	4 x2	1,9	2,7	1,6	2,4	750	1500
BS2F 2NM 32L/16A	4 x2	5,5 x2	2,8	3,6	2,5	3,3	1000	2000
BS2F 2NM 32L/20B	5,5 x2	7,5 x2	3,2	4,7	2,9	4,4	750	1000
BS2F 2NM 32L/20A	7,5 x2	10 x2	3,7	5,4	3,5	5,1	1000	1500
BS2F 2NMD 32/210D/B	4 x2	5,5 x2	5	7	4,5	6,5	500	500
BS2F 2NMD 32/210C/A	5,5 x2	7,5 x2	6	8	5,5	7,5	500	800
BS2F 2NMD 32/210B/A	7,5 x2	10 x2	8	10	7,5	9,5	750	1000
BS2F 2NMD 32/210A/B	9,2 x2	12,5 x2	9,5	11	9	10,5	1000	1500
BS2F 2NMD 40/180D/B	4 x2	5,5 x2	4	5,5	3,5	5	500	1000
BS2F 2NMD 40/180C/A	5,5 x2	7,5 x2	5	6,5	4,5	6	750	1500
BS2F 2NMD 40/180B/A	7,5 x2	10 x2	6,7	8,2	6,2	7,7	1000	2000
BS2F 2NMD 40/180A/B	9,2 x2	12,5 x2	7,5	9	7	8,5	1500	2000
BS2F 2NM 40/16B/B	3 x2	4 x2	1,5	2,5	1,2	2,2	750	1500
BS2F 2NM 40/16A/C	4 x2	5,5 x2	2,4	3,4	2	3	1000	2000
BS2F 2NM 40/20B/A	5,5 x2	7,5 x2	3,7	4,7	3,3	4,3	1500	3000
BS2F 2NM 40/20A/A	7,5 x2	10 x2	4,4	5,4	3,9	4,9	2000	4000
BS2F 2NM 40/25B/C	11 x2	15 x2	5,6	6,6	5,1	6,1	3000	5000
BS2F 2NM 40/25A/C	15 x2	20 x2	7,7	8,7	7,3	8,3	4000	-
BS2F 2NM 50/16B/B	5,5 x2	7,5 x2	1,7	2,7	1,2	2,2	2000	4000
BS2F 2NM 50/16A/B	7,5 x2	10 x2	2,5	3,5	2	3	3000	5000
BS2F 2NM 50/20B/C	9,2 x2	12,5 x2	3,5	4,5	3	4	3000	5000
BS2F 2NM 50/20A/C	11 x2	15 x2	4,2	5,2	3,7	4,7	4000	-
BS2F 2NM 50/25C/C	11 x2	15 x2	4,1	5,1	3,6	4,6	4000	-
BS2F 2NM 50/25B/C	15 x2	20 x2	5,6	6,6	5,1	6,1	4000	-
BS2F 2NM 50/25A/D	18,5 x2	25 x2	6,6	7,6	6,1	7,1	5000	-
BS2F 2NM 65/16B/C	11 x2	15 x2	2,2	3,2	1,7	2,7	4000	-
BS2F 2NM 65/16AR	15 x2	15 x2	2,6	3,6	2,1	3,1	5000	-
BS2F 2NM 65/16A/C	15 x2	15 x2	3,1	4,1	2,6	3,6	5000	--
BS2F 2NM 65/20C/C	15 x2	20 x2	3	4	2,5	3,5	-	-
BS2F 2NM 65/20B/D	18,5 x2	25 x2	3,6	4,6	3,2	4,2	-	-
BS2F 2NM 65/20A/A	22 x2	30 x2	4,2	5,2	3,8	4,8	-	-
BS2F 2NM 65/25C/A	22 x2	30 x2	5	6	4,6	5,6	-	-
BS2F 2NMS 65/250B/A	30 x2	40 x2	6,6	7,6	6,2	7,2	-	-
BS2F 2NMS 65/250A/A	37 x2	50 x2	7,7	8,7	7,3	8,3	-	-
BS2F 2NM 80/16B/C	15 x2	20 x2	2,2	3,2	1,7	2,7	-	-
BS2F 2NM 80/16A/D	18,5 x2	25 x2	2,8	3,8	2,3	3,3	-	-
BS2F 2NM 80/20B	22 x2	30 x2	3,3	4,3	3	4	-	-
BS2F 2NMS 80/200A	30 x2	40 x2	4,3	5,3	4	5	-	-
BS2F 2NM 80/25E	22 x2	30 x2	3,8	4,8	3,2	4,2	-	-
BS2F 2NMS 80/250D	30 x2	40 x2	4,5	6	4	5,5	-	-
BS2F 2NMS 80/250C/A	37 x2	50 x2	5,5	7	5	6,5	-	-
BS2F 2NMS 80/250B/A	45 x2	60 x2	6,5	8	6	7,5	-	-
BS2F 2NMS 80/250A/A	55 x2	75 x2	8	9	7,5	8,5	-	-

## Performance

## BS3F

Mains: 400V 3~ Motor: 400V 3~	Motor		pressure transducer bar		Vessel Membrane litre	Vessel litre
	kW	HP	min	max		
BS3F 3NM 40/16B/B	3 x3	4 x3	1,8	2,6	750	2000
BS3F 3NM 40/16A/C	4 x3	5,5 x3	2,5	3,3	1500	3000
BS3F 3NM 40/20B/A	5,5 x3	7,5 x3	3	4,5	1000	2000
BS3F 3NM 40/20A/A	7,5 x3	10 x3	3,5	5,1	1500	3000
BS3F 3NM 40/25B/C	11 x3	15 x3	4,5	6,2	2000	3000
BS3F 3NM 40/25A/C	15 x3	20 x3	6,1	8,1	3000	4000
BS3F 3NM 50/16B/B	5,5 x3	7,5 x3	2	2,8	2000	4000
BS3F 3NM 50/16A/B	7,5 x3	10 x3	2,6	3,4	3000	6000
BS3F 3NM 50/20B/C	9,2 x3	12,5 x3	3,4	4,3	-	6000
BS3F 3NM 50/20A/C	11 x3	15 x3	3,4	4,9	3000	5000
BS3F 3NM 50/25C/C	11 x3	15 x3	3,4	4,9	3000	5000
BS3F 3NM 50/25B/C	15 x3	20 x3	4,5	6,2	-	6000
BS3F 3NM 50/25A/D	18,5 x3	25 x3	5,4	7,2	-	8000
BS3F 3NM 65/16B/C	11 x3	15 x3	2,1	2,9	-	10000
BS3F 3NM 65/16AR	15 x3	20 x3	2,4	3,2	-	-
BS3F 3NM 65/16A/C	15 x3	20 x3	2,8	3,6	-	-
BS3F 3NM 65/20C/C	15 x3	20 x3	3	3,9	-	-
BS3F 3NM 65/20B/D	18,5 x3	25 x3	2,9	4,4	-	-
BS3F 3NM 65/20A/A	22 x3	30 x3	3,5	5	-	-
BS3F 3NM 65/25C/A	22 x3	30 x3	4	5,7	-	-
BS3F 3NMS 65/250B/A	30 x3	40 x3	5,3	7,1	-	-
BS3F 3NMS 65/250A/A	37 x3	50 x3	6,1	8,1	-	-
BS3F 3NM 80/16B/C	15 x3	20 x3	2,3	3,1	-	-
BS3F 3NM 80/16A/C	18,5 x3	25 x3	2,7	3,5	-	-
BS3F 3NM 80/20B	22 x3	30 x3	3,2	4,1	-	-
BS3F 3NMS 80/200A	30 x3	40 x3	3,4	4,9	-	-
BS3F 3NM 80/25E	22 x3	30 x3	3	4,5	-	-
BS3F 3NMS 80/250D	30 x3	40 x3	4,1	5,8	-	-
BS3F 3NMS 80/250C/A	37 x3	50 x3	4,8	6,6	-	-
BS3F 3NMS 80/250B/A	45 x3	60 x3	5,7	7,6	-	-
BS3F 3NMS 80/250A/A	55 x3	75 x3	6,6	8,6	-	-

## Performance

### BS..

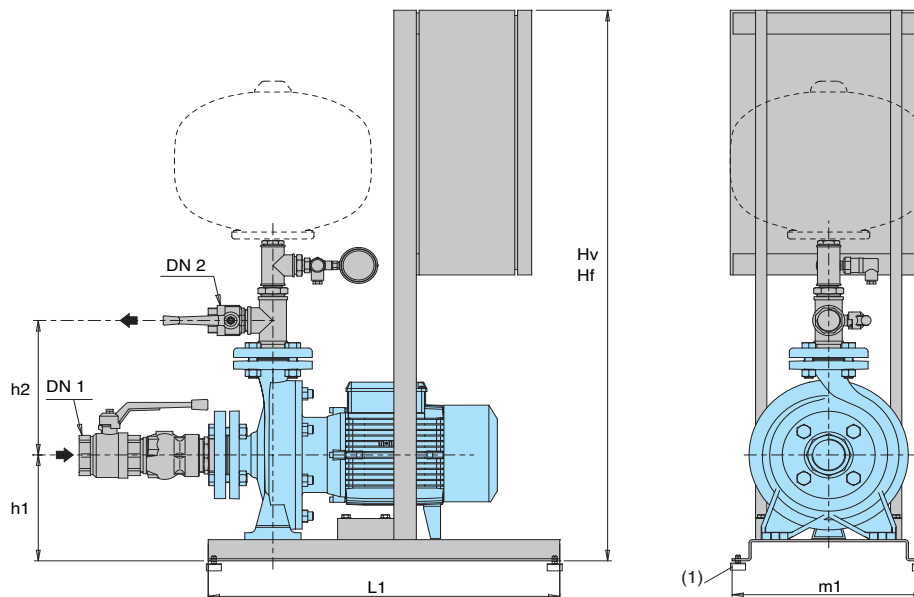
PUMPS Nos						PUMP TYPE	P <sub>2</sub>	
1	2	3	4	5	6		For each pump	
							kW	HP
BS2V BS1V1F						NM 2/A/B	0,75	1
						NMD 20/110B/A	0,45	0,6
						NMD 20/110A/B	0,75	1
						NMD 20/140B/A	1,1	1,5
						NMD 20/140A/A	1,5	2
						NM 3/C/A	1,1	1,5
						NM 3/B/A	1,5	2
						NM 3/A/B	2,2	3
						NM 25/20B/C	2,2	3
						NM 25/20A/B	3	4
						NM 25/20S/C	4	5,5
						NMD 25/190C/B	2,2	3
						NMD 25/190B/A	3	4
						NMD 25/190A/B	4	5,5
						NM 32/16B/A	1,5	2
						NM 32/16A/B	2,2	3
						NM 32/20C/A	3	4
						NM 32/20A/B	4	5,5
						NM 32L/16B	3	4
						NM 32L/16A	4	5,5
NM 32L/20B	5,5	7,5						
NM 32L/20A	7,5	10						
NMD 32/210D/B	4	5,5						
NMD 32/210C/A	5,5	7,5						
NMD 32/210B/A	7,5	10						
NMD 32/210A/B	9,2	12,5						
NMD 40/180D/B	4	5,5						
NMD 40/180C/A	5,5	7,5						
NMD 40/180B/A	7,5	10						
NMD 40/180A/B	9,2	12,5						
NM 40/16B/B	3	4						
NM 40/16A/C	4	5,5						
NM 40/20B/A	5,5	7,5						
NM 40/20A/A	7,5	10						
NM 40/25B/C	11	15						
NM 40/25A/C	15	20						
NM 50/16B/B	5,5	7,5						
NM 50/16A/B	7,5	10						
NM 50/20B/C	9,2	12,5						
NM 50/20A/C	11	15						
NM 50/25C/C	11	15						
NM 50/25B/C	15	20						
NM 50/25A/D	18,5	25						
NM 65/16B/C	11	15						
NM 65/16AR	15	20						
NM 65/16A/C	15	20						
NM 65/20C/C	15	20						
NM 65/20B/D	18,5	25						
NM 65/20A/A	22	30						
NM 65/25C/A	22	30						
NMS 65/250B/A	30	40						
NMS 65/250A/A	37	50						
NM 80/16B/C	15	20						
NM 80/16A/D	18,5	25						
NM 80/20B	22	30						
NMS 80/200A	30	40						
NM 80/25E	22	30						
NMS 80/250D	30	40						
NMS 80/250C/A	37	50						
NMS 80/250B/A	45	60						
NMS 80/250A /A	55	75						

### BS.. ..-ITT

PUMPS Nos		PUMP TYPE	P <sub>2</sub>	
2	3		For each pump	
			kW	HP
BS2V -ITT	BS3V -ITT	NM 3/C/A-ITT	1,1	1,5
		NM 3/B/A-ITT	1,5	2
		NM 3/A/B-ITT	2,2	3
		NM 25/160B/A-ITT	1,1	1,5
		NM 25/160A/A-ITT	1,5	2
		NM 25/20B/C-ITT	2,2	3
		NM 25/20A/B-ITT	3	4
		NM 25/20S/C-ITT	4	5,5
		NM 32/16B/A-ITT	1,5	2
		NM 32/16A/B-ITT	2,2	3
		NM 32/20D/B-ITT	2,2	3
		NM 32/20C/A-ITT	3	4
		NM 32/20A/B-ITT	4	5,5
		NM 32L/16B-ITT	3	4
		NM 32L/16A-ITT	4	5,5
		NM 32L/20B-ITT	5,5	7,5
		NM 32L/20A-ITT	7,5	10
		NM 40/16C/C-ITT	2,2	3
		NM 40/16B/B-ITT	3	4
		NM 40/16A/C-ITT	4	5,5
		NM 40/20D/B-ITT	4	5,5
		NM 40/20C/B-ITT	4	5,5
		NM 40/20B/A-ITT	5,5	7,5
		NM 40/20AR/A-ITT	5,5	7,5
		NM 40/20A/A-ITT	7,5	10
		NM 40/25C/C-ITT	9,2	12,5
		NM 40/25B/C-ITT	11	15
		NM 40/25A/C-ITT	15	20
		NM 50/16B/B-ITT	5,5	7,5
		NM 50/16A/B-ITT	7,5	10
		NM 50/20B/C-ITT	9,2	12,5
		NM 50/20A/C-ITT	11	15
		NM 50/20S/C-ITT	15	20
		NM 50/25C/C-ITT	11	15
		NM 50/25B/C-ITT	15	20
		NM 50/25A/D-ITT	18,5	25
		NM 65/16D/B-ITT	7,5	10
		NM 65/16C/C-ITT	9,2	12,5
		NM 65/16B/C-ITT	11	15
		NM 65/16AR-ITT	15	20
NM 65/16A/C-ITT	15	20		
NM 65/20C/C-ITT	15	20		
NM 65/20B/D-ITT	18,5	25		
NM 65/20A/A-ITT	22	30		
NM 65/25C/A-ITT	22	30		
NM 80/16E/B-ITT	7,5	10		
NM 80/16D/C-ITT	9,2	12,5		
NM 80/16C/C-ITT	11	15		
NM 80/16B/C-ITT	15	20		
NM 80/16A/D-ITT	18,5	25		
NM 80/20B-ITT	22	30		
NM 80/25E-ITT	22	30		
NM 100/20E/A-ITT	18,5	25		
NM 100/20D-ITT	22	30		



## Dimensions and weights



TYPE	Connection		mm						weight
	DN 1	DN 2	Hv	Hf	h1	L1	m1	kg	
BS1.. 1NM 32/16B/A	G 2	G 1	1045	875	175	625	365	-	
BS1.. 1NM 32/16A/B									
BS1.. 1NM 32/20C/A	G 2	G 1	1045	875	205	625	365	-	
BS1.. 1NM 32/20A/B									
BS1.. 1NM 32L/16B	G 2	G 1	1045	875	175	625	365	-	
BS1.. 1NM 32L/16A									
BS1.. 1NM 32L/20B	G 2	G 1	1045	875	205	625	365	-	
BS1.. 1NM 32L/20A									
BS1.. 1NMD 32/210D/B					135				
BS1.. 1NMD 32/210C/A	G 2	G 1 1/4	1045	875	155	625	365	-	
BS1.. 1NMD 32/210B/A					155				
BS1.. 1NMD 32/210A/B					175				
BS1.. 1NMD 40/180D/B					135				
BS1.. 1NMD 40/180C/A	G 2	G 1 1/2	1045	875	155	625	365	-	
BS1.. 1NMD 40/180B/A					155				
BS1.. 1NMD 40/180A/B					175				
BS1.. 1NM 40/16B/B	G 2 1/2	G 1 1/2	1045	875	175	625	365	-	
BS1.. 1NM 40/16A/C									
BS1.. 1NM 40/20B/A	G 2 1/2	G 1 1/2	1145	875	205	625	365	-	
BS1.. 1NM 40/20A/A				1145					
BS1.. 1NM 40/25B/C	G 2 1/2	G 1 1/2	-	-	-	-	-	-	
BS1.. 1NM 40/25A/C									
BS1.. 1NM 50/16B/B	G 2 1/2	G 2	-	-	-	-	-	-	
BS1.. 1NM 50/16A/B									
BS1.. 1NM 50/20B/C	G 2 1/2	G 2	-	-	-	-	-	-	
BS1.. 1NM 50/20A/C									
BS1.. 1NM 50/25C/D	G 2 1/2	G 2	-	-	-	-	-	-	
BS1.. 1NM 50/25B/C									
BS1.. 1NM 50/25A/C									
BS1.. 1NM 65/16B/C	G 3	G 2 1/2	-	-	-	-	-	-	
BS1.. 1NM 65/16A/R									
BS1.. 1NM 65/16A/C									
BS1.. 1NM 65/20C/C	G 3	G 2 1/2	-	-	-	-	-	-	
BS1.. 1NM 65/20B/C									
BS1.. 1NM 65/20A/A									
BS1.. 1NM 65/25C/A	G 3	G 2 1/2	-	-	-	-	-	-	
BS1.. 1NMS 65/250B/A									
BS1.. 1NMS 65/250A/A									
BS1.. 1NM 80/16B/C	100	80	-	-	-	-	-	-	
BS1.. 1NM 80/16A/B									
BS1.. 1NM 80/20B	100	80	-	-	-	-	-	-	
BS1.. 1NMS 80/200A									
BS1.. 1NM 80/25E									
BS1.. 1NMS 80/250D									
BS1.. 1NMS 80/250C/A	100	80	-	-	-	-	-	-	
BS1.. 1NMS 80/250B/A									
BS1.. 1NMS 80/250A/A									

Dimensions not binding to be verified when ordering

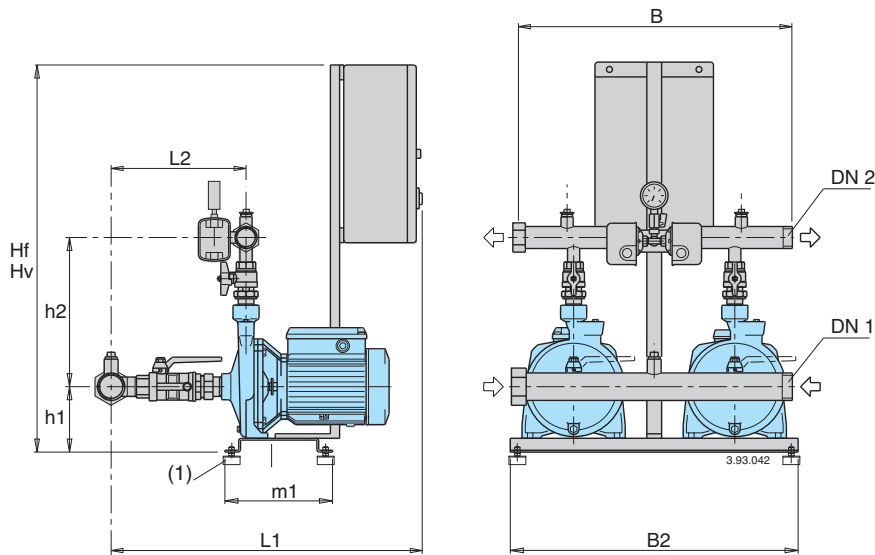
(1) Anti-vibration pads kit supplied loose as standard

Dimensions on request

Hf= Fixed speed boosting sets

Hv= Variable speed boosting sets

## Dimensions and weights



TYPE	Connection		mm									weight kg
	DN 1	DN 2	Hf	Hv	h1	h2	L1	L2	m1	B	B2	
BS.. 2NMD 20/110B/A	G 2	G 1 1/2	840		129	277	670	315	235	600	625	51
BS.. 2NMD 20/110A/B					129	277	670	315				
BS.. 2NM 2/A/B	G 2	G 1 1/2	840		129	295	620	262	235	600	625	54
BS.. 2NMD 20/140B/A					146	295	670	320				
BS.. 2NMD 20/140A/A	G 2	G 1 1/2	840		146	295	670	320	235	600	625	77
BS.. 2NM 3/C/A					156	307	650	254				
BS.. 2NM 3/B/A	G 2	G 1 1/2	867		156	307	650	254	365	600	625	76
BS.. 2NM 3/A/B					156	307	650	254				
BS.. 2NM 25/20B/C	G 2 1/2	G 2	840		160	330	725	373	235	600	625	87
BS.. 2NM 25/20A/B					160	330	725	373				
BS.. 2NM 25/20S/C	G 2 1/2	G 2	840		160	330	725	373	235	600	625	114
BS.. 2NMD 25/190C/B					175	330	760	407				
BS.. 2NMD 25/190B/A	G 2 1/2	G 2	840		175	330	760	407	235	600	625	123
BS.. 2NMD 25/190A/B					175	330	760	407				
BS.. 2NM 32/16B/A	G 3	G 2 1/2	830	1210	266	345	304	389	476	600	625	
BS.. 2NM 32/16A/B					830	1210	266	389				
BS.. 2NM 32/20C/A	G 3	G 2 1/2	830	1210	294	365	324	389	476	600	625	
BS.. 2NM 32/20A/B					830							
BS.. 2NMD 32/210D/B	G 3	G 2 1/2	890	1270	245	380	460	440	550	700	800	
BS.. 2NMD 32/210C/A					890							
BS.. 2NMD 32/210B/A	G 3	G 2 1/2	1370	1370	272	460	475	435	550	700	800	
BS.. 2NMD 32/210A/B					1370							
BS.. 2NMD 40/180D/B	G 3	G 2 1/2	890	1270	245	460	475	415	550	700	800	
BS.. 2NMD 40/180C/A					890							
BS.. 2NMD 40/180B/A	G 3	G 2 1/2	1370	1370	272	460	475	435	550	700	800	
BS.. 2NMD 40/180A/B					1370							

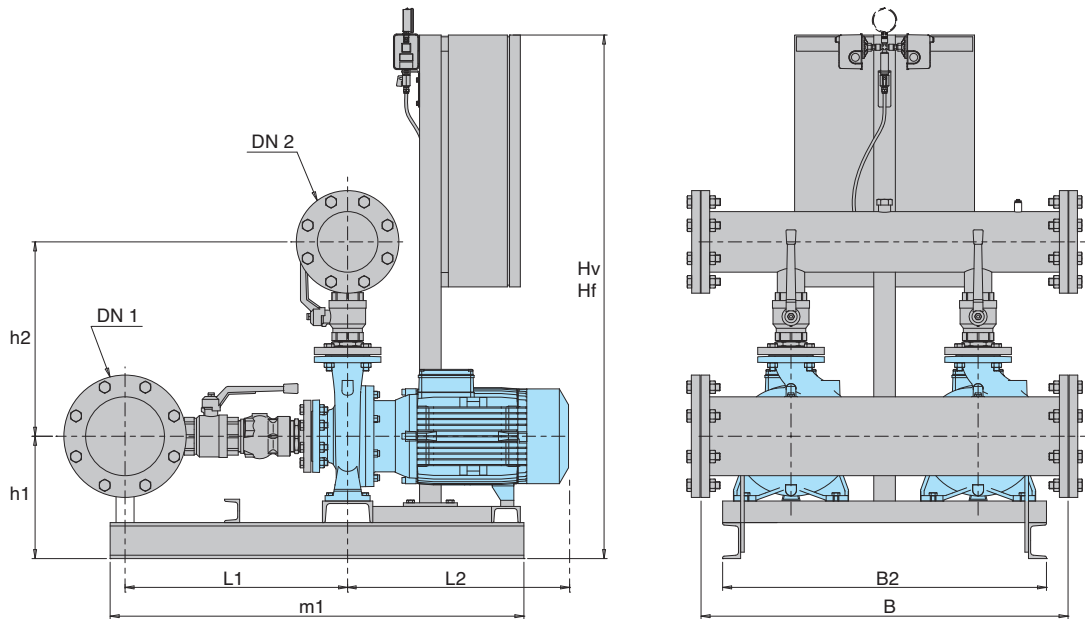
Dimensions not binding to be verified when ordering

Dimensions on request

Hf= Fixed speed boosting sets  
Hv= Variable speed boosting sets

(1) Anti-vibration pads kit supplied loose as standard

## Dimensions and weights



TYPE	Connection		mm									weight kg
	DN 1	DN 2	Hf	Hv	h1	h2	L1	L2	m1	B	B2	
BS.. 2NM 32L/16B	100	80	830	1210	280	387	487	330	476	820	800	-
BS.. 2NM 32L/16A			830	1210	280			370				
BS.. 2NM 32L/20B	100	80	830	1310	320	407	507	395	1040	820	900	-
BS.. 2NM 32L/20A			1310	1310	320			395				
BS.. 2NM 40/16B/B	100	80	830	1210	280	387	487	395	476	820	800	-
BS.. 2NM 40/16A/C			830	1210	280			395				
BS.. 2NM 40/20B/A	100	80	830	1310	320	407	507	425	1040	820	900	-
BS.. 2NM 40/20A/A			1310	1310	320			425				
BS.. 2NM 40/25B/C	100	80	1455	1755	340	452	507	540	1040	820	900	-
BS.. 2NM 40/25A/C			1455	1755	340			615				
BS.. 2NM 50/16B/B	125	100	975	1455	315	435	515	425	-	920	-	-
BS.. 2NM 50/16A/B			1455	1455	315			425				
BS.. 2NM 50/20B/C	125	100	1455	1755	315	455	515	540	-	920	-	-
BS.. 2NM 50/20A/C			1455	1755	315			540				
BS.. 2NM 50/25C/D	125	100	1455	1755	340	480	515	545	-	920	-	-
BS.. 2NM 50/25B/C			1455	1755	340			620				
BS.. 2NM 50/25A/D	125	100	1455	1855	340	515	515	620	-	920	-	-
BS.. 2NM 50/25C/D			1455	1855	340			620				
BS.. 2NM 65/16B/C	200	150	1455	1755	320	525	625	540	-	1020	-	-
BS.. 2NM 65/16A/R			1455	1755	320			540				
BS.. 2NM 65/16A/C	200	150	1455	1755	320	525	625	615	-	1020	-	-
BS.. 2NM 65/20C/C			1455	1755	340			615				
BS.. 2NM 65/20B/C	200	150	1455	1855	340	550	625	615	-	1200	-	-
BS.. 2NM 65/20A/A			1655	1855	340			615				
BS.. 2NM 65/25C/A	200	150	1655	1855	360	575	625	725	-	1200	-	-
BS.. 2NMS 65/250B/A			1655	1855	360			725				
BS.. 2NMS 65/250A/A	200	150	1855	1600*	360	575	625	975	-	1200	-	-
BS.. 2NM 80/16B/C			1455	1755	340			725				
BS.. 2NM 80/16A/D	250	200	1455	1855	340	615	730	620	-	1050	-	-
BS.. 2NM 80/20B			1455	1855	340			620				
BS.. 2NMS 80/200A	250	200	1655	1855	360	640	730	725	-	1200	-	-
BS.. 2NM 80/25E			1655	1855	360			725				
BS.. 2NMS 80/250D	250	200	1655	1855	360	670	730	725	-	1200	-	-
BS.. 2NMS 80/250C/A			1855	1600*	310			725				
BS.. 2NMS 80/250B/A	250	200	1400*	2100*	310	670	730	1040	-	1200	-	-
BS.. 2NMS 80/250A/A			1400*	2100*	310			1110				

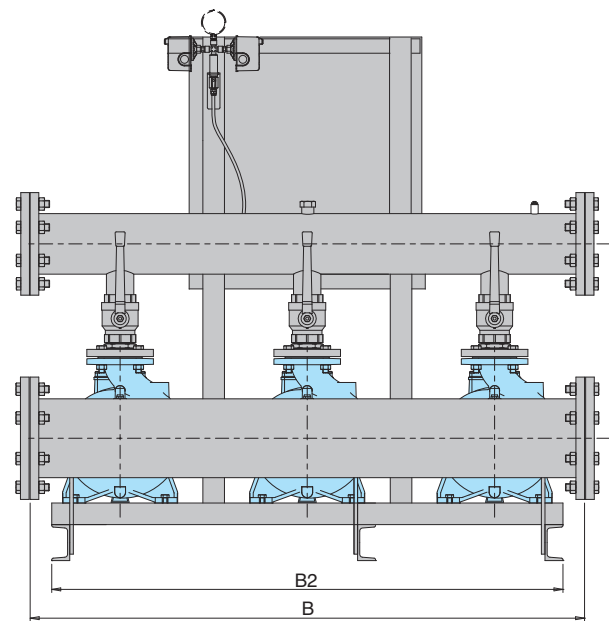
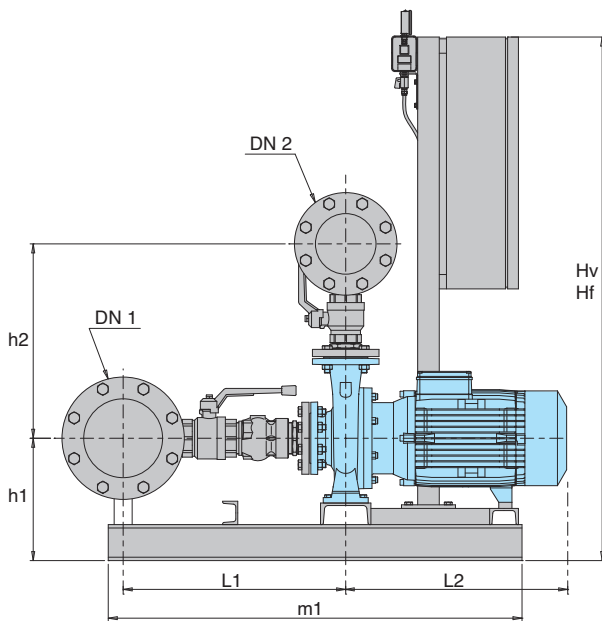
Dimensions not binding to be verified when ordering

Dimensions on request

Hf= Fixed speed boosting sets  
Hv= Variable speed boosting sets

\* Cabinet version

## Dimensions and weights



TYPE	Connection		mm										weight kg
	DN 1	DN 2	Hf	Hv	h1	h2	L1	L2	m1	B	B2		
BS.. 3NM 40/16B/B	125	100	830	1310	292	400	500	395	1100	1340	1400	-	
BS.. 3NM 40/16A/C			830	1310	292			395					
BS.. 3NM 40/20B/A			830	1610	320			425					
BS.. 3NM 40/20A/A	125	100	1410	1610	320	420	520	425	1100	1340	1400	-	
BS.. 3NM 40/25B/B			1555	1700*	340			615					
BS.. 3NM 40/25A/B	125	100	1555	1700*	340	465	520	540	1100	1340	1400	-	
BS.. 3NM 50/16B/B			975	1755	315			425					
BS.. 3NM 50/16A/B	150	125	1555	1755	315	448	525	425	-	1340	-	-	
BS.. 3NM 50/20B/C			1555	1700*	315			540					
BS.. 3NM 50/20A/C	150	125	1555	1700*	315	468	525	540	-	1340	-	-	
BS.. 3NM 50/25C/D			1555	1700*	340			545					
BS.. 3NM 50/25B/C	150	125	1555	1700*	340	493	525	620	-	1440	-	-	
BS.. 3NM 50/25A/D			1755	1700*	340			620					
BS.. 3NM 65/16B/C	250	200	1555	1700*	320	555	650	540	-	1540	-	-	
BS.. 3NM 65/16A/R			1555	1700*	320			615					
BS.. 3NM 65/16A/C	250	200	1555	1700*	340	580	650	615	-	1540	-	-	
BS.. 3NM 65/20C/C			1755	1700*	340			725					
BS.. 3NM 65/20B/C	250	200	1855	1700*	340	580	650	725	-	1900	-	-	
BS.. 3NM 65/20A/A			1855	1700*	340			725					
BS.. 3NM 65/25C/A	250	200	1855	1700*	360	605	650	725	-	1900	-	-	
BS.. 3NMS 65/250B/A			1855	1700*	260			725					
BS.. 3NMS 65/250A/A	250	200	1545	-	310	605	650	975	-	1900	-	-	
BS.. 3NM 80/16B/C			1555	1700*	340			620					
BS.. 3NM 80/16A/D	300	250	1755	1700*	240	670	755	620	-	1900	-	-	
BS.. 3NM 80/20B			1855	1700*	360			725					
BS.. 3NMS 80/200A	300	250	1855	1700*	260	670	755	725	-	1900	-	-	
BS.. 3NM 80/25E			1855	1700*	360			725					
BS.. 3NMS 80/250D	300	250	1855	1700*	260	700	755	725	-	1900	-	-	
BS.. 3NMS 80/250C/A			1400*	-	310			975					
BS.. 3NMS 80/250B/A	300	250	1400*	-	310	700	755	1040	-	1900	-	-	
BS.. 3NMS 80/250A/A			1400*	-	310			1110					

Dimensions not binding to be verified when ordering

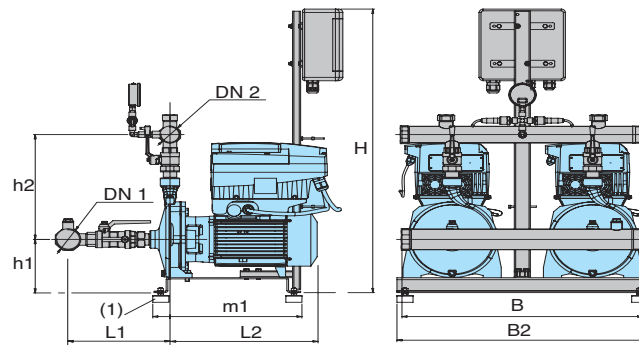
Dimensions on request

Hf= Fixed speed boosting sets

Hv= Variable speed boosting sets

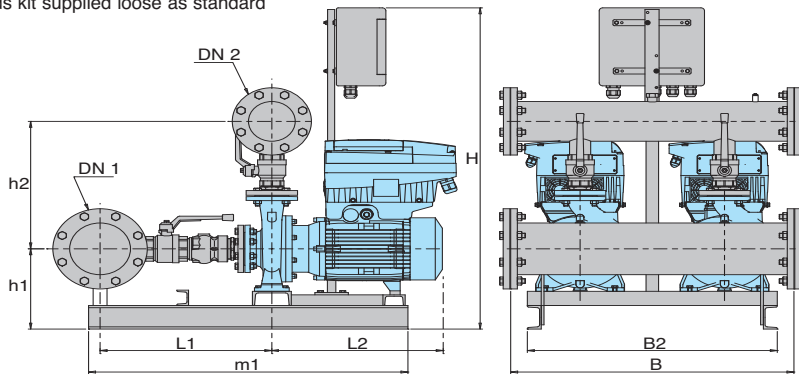
\* Cabinet version

### Dimensions and weights



TYPE	Motor			Connection		mm							weight kg	
	kW	HP	A	DN 1	DN 2	H	h1	h2	L1	L2	m1	B		B2
BS2V 2NM 3/C/A-ITT	1,1 x2	1,5 x2	2,7 x2	G 2	G 1 1/2	876	156	307	254	325	365	600	625	
BS2V 2NM 3/B/A-ITT	1,5 x2	2 x2	4,3 x2			876				325				
BS2V 2NM 3/A/B-ITT	2,2 x2	3 x2	5,3 x2			876				365				
BS2V 2NM 25/160B/A-ITT	1,1 x2	1,5 x2	2,7 x2	G 2	G 1 1/2	876	135	305	273	324	365	600	625	
BS2V 2NM 25/160A/A-ITT	1,5 x2	2 x2	4,3 x2			876				324				
BS2V 2NM 25/20B/C-ITT	2,2 x2	3 x2	5,3 x2			876				370				
BS2V 2NM 25/20A/B-ITT	3 x2	4 x2	6,6 x2	G 2 1/2	G 2	883	169	330	373	397	365	600	625	
BS2V 2NM 25/20S/C-ITT	4 x2	5,5 x2	9,6 x2			883				397				
BS2V 2NM 32/16B/A-ITT	1,5 x2	2 x2	4,3 x2	G 3	G 2 1/2	876	266	304	389	330	476	600	625	
BS2V 2NM 32/16A/B-ITT	2,2 x2	3 x2	5,3 x2			876				370				
BS2V 2NM 32/20D/B-ITT	2,2 x2	3 x2	5,3 x2	G 3	G 2 1/2	876	294	324	389	370	476	600	625	
BS2V 2NM 32/20C/A-ITT	3 x2	4 x2	6,6 x2			876				395				
BS2V 2NM 32/20A/B-ITT	4 x2	5,5 x2	9,6 x2			876				395				

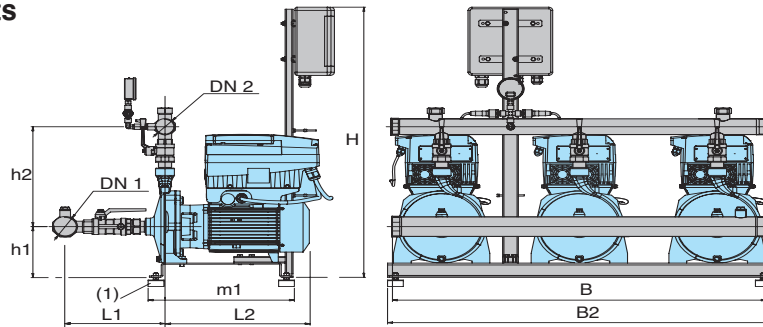
(1) Anti-vibration pads kit supplied loose as standard



TYPE	Motor			Connection		mm							weight kg	
	kW	HP	A	DN 1	DN 2	H	h1	h2	L1	L2	m1	B		B2
BS2V 2NM 32L/16B-ITT	3 x2	4 x2	6,6 x2	100	80	897	280	387	487	330	476	820	800	
BS2V 2NM 32L/16A-ITT	4 x2	5,5 x2	9,6 x2			897				370				
BS2V 2NM 32L/20B-ITT	5,5 x2	7,5 x2	10,8 x2	100	80	897	320	407	507	395	1040	820	900	
BS2V 2NM 32L/20A-ITT	7,5 x2	10 x2	14,3 x2			897				395				
BS2V 2NM 40/16C/A-ITT	2,2 x2	3 x2	5,3 x2	100	80	897	280	387	487	370	476	820	800	
BS2V 2NM 40/16B/B-ITT	3 x2	4 x2	6,6 x2			897				395				
BS2V 2NM 40/16A/C-ITT	4 x2	5,5 x2	9,6 x2	100	80	897	280	387	487	395	476	820	800	
BS2V 2NM 40/20D/B-ITT	4 x2	5,5 x2	9,6 x2			897				395				
BS2V 2NM 40/20C/B-ITT	4 x2	5,5 x2	9,6 x2	100	80	897	309	407	507	425	1040	820	900	
BS2V 2NM 40/20A/A-ITT	5,5 x2	7,5 x2	10,8 x2			897				425				
BS2V 2NM 40/20AR/A-ITT	5,5 x2	7,5 x2	10,8 x2	100	80	897	320	407	507	425	1040	900	900	
BS2V 2NM 40/20A/A-ITT	7,5 x2	10 x2	14,3 x2			897				425				
BS2V 2NM 40/25C/A-ITT	9,2 x2	12,5 x2	18,5 x2	100	80	977	340	452	507	590	1040	820	-	
BS2V 2NM 40/25B/C-ITT	11 x2	15 x2	21,5 x2			977				615				
BS2V 2NM 40/25A/C-ITT	15 x2	20 x2	27,3 x2	125	100	977	340	435	515	425	-	920	-	
BS2V 2NM 50/16B/B-ITT	5,5 x2	7,5 x2	10,8 x2			977				425				
BS2V 2NM 50/16A/B-ITT	7,5 x2	10 x2	14,3 x2	125	100	977	315	480	515	620	-	920	-	
BS2V 2NM 50/20B/C-ITT	9,2 x2	12,5 x2	18,5 x2			977				620				
BS2V 2NM 50/20A/C-ITT	11 x2	15 x2	21,5 x2	125	100	977	340	480	515	620	-	920	-	
BS2V 2NM 50/20S/C-ITT	15 x2	20 x2	27,3 x2			977				620				
BS2V 2NM 50/25C/A-ITT	11 x2	15 x2	21,5 x2	125	100	977	340	480	515	595	-	920	-	
BS2V 2NM 50/25B/C-ITT	15 x2	20 x2	27,3 x2			977				620				
BS2V 2NM 50/25A/D-ITT	18,5 x2	25 x2	34 x2	125	100	977	340	480	515	620	-	920	-	
BS2V 2NM 65/16D/B-ITT	7,5 x2	10 x2	14,3 x2			977				620				
BS2V 2NM 65/16C/C-ITT	9,2 x2	12,5 x2	18,5 x2	125	100	977	320	525	625	540	-	1020	-	
BS2V 2NM 65/16B/C-ITT	11 x2	15 x2	21,5 x2			977				540				
BS2V 2NM 65/16A/R-ITT	15 x2	20 x2	27,3 x2	125	100	977	320	525	625	540	-	1020	-	
BS2V 2NM 65/16A/C-ITT	15 x2	20 x2	27,3 x2			977				615				
BS2V 2NM 65/20C/C-ITT	15 x2	20 x2	27,3 x2	200	150	977	340	550	730	445	-	1200	-	
BS2V 2NM 65/20B/D-ITT	18,5 x2	25 x2	34 x2			977				570				
BS2V 2NM 65/20A/A-ITT	22 x2	30 x2	41 x2	200	150	977	360	575	725	620	-	1200	-	
BS2V 2NM 65/25C/A-ITT	22 x2	30 x2	41 x2			977				620				
BS2V 2NM 80/16E/B-ITT	7,5 x2	10 x2	14,3 x2	250	200	977	-	615	-	420	-	1200	-	
BS2V 2NM 80/16D/C-ITT	9,2 x2	12,5 x2	18,5 x2			977				545				
BS2V 2NM 80/16C/C-ITT	11 x2	15 x2	21,5 x2	250	200	977	-	615	-	595	-	1050	-	
BS2V 2NM 80/16B/C-ITT	15 x2	20 x2	27,3 x2			977				620				
BS2V 2NM 80/16A/D-ITT	18,5 x2	25 x2	34 x2	250	200	977	340	550	730	620	-	1200	-	
BS2V 2NM 80/20B-ITT	22 x2	30 x2	41 x2			977				620				
BS2V 2NM 80/25E-ITT	22 x2	30 x2	41 x2	250	200	977	-	615	-	595	-	1050	-	
BS2V 2NM 100/20E/A-ITT	18,5 x2	25 x2	34 x2			977				620				
BS2V 2NM 100/20D-ITT	22 x2	30 x2	41 x2	300	250	1490	410	770	1083	662	1835	1200	1200	

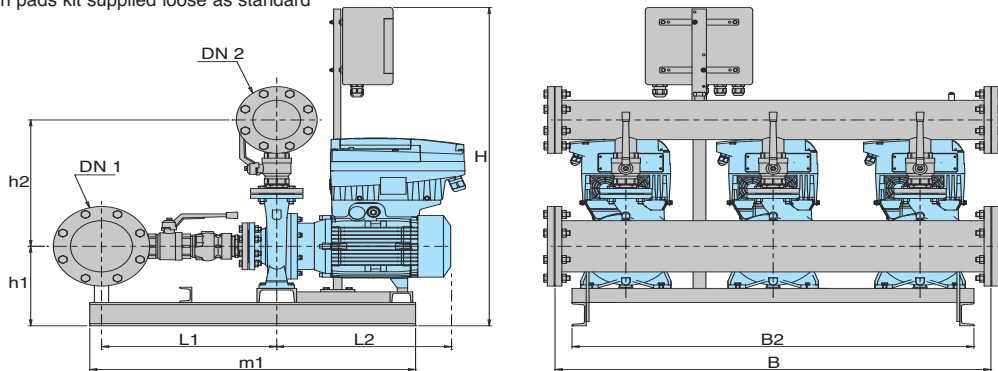
Dimensions not binding to be verified when ordering

### Dimensions and weights



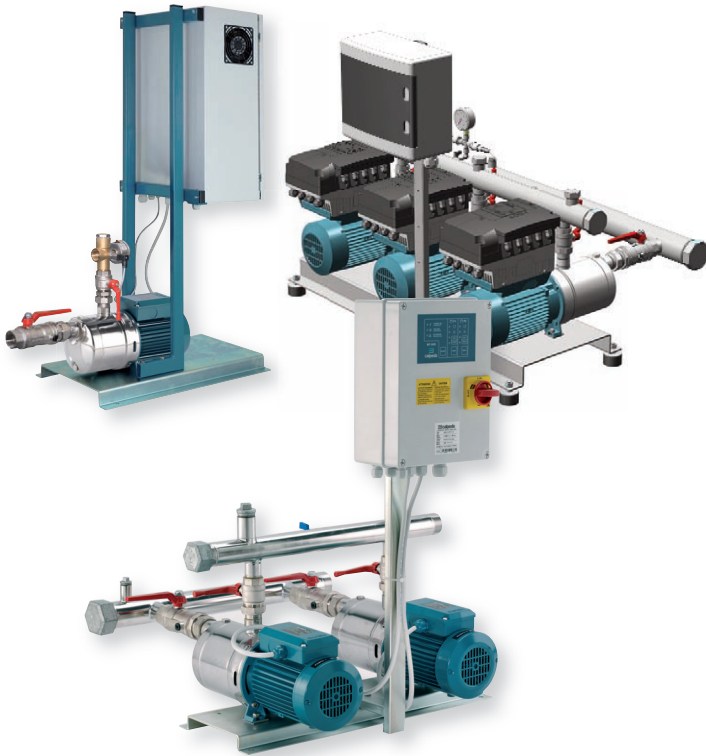
TYPE	Motor			Connection		mm								weight kg
	kW	HP	A	DN 1	DN 2	H	h1	h2	L1	L2	m1	B	B2	
BS3V 3NM 3/C/A-ITT	1,1 x3	1,5 x3	2,7 x3	G 2 1/2	G 2	876	171	316	-	325	406	950	1000	
BS3V 3NM 3/B/A-ITT	1,5 x3	2 x3	4,3 x3			876				365				
BS3V 3NM 3/A/B-ITT	2,2 x3	3 x3	5,3 x3			876				365				
BS3V 3NM 25/160B/A-ITT	1,1 x3	1,5 x3	2,7 x3	G 2	G 2	876	135	290	-	324	406	950	1000	
BS3V 3NM 25/160A/A-ITT	1,5 x3	2 x3	4,3 x3			876				365				
BS3V 3NM 25/20B/C-ITT	2,2 x3	3 x3	5,3 x3			876				370				
BS3V 3NM 25/20A/B-ITT	3 x3	4 x3	6,6 x3	G 3	G 2 1/2	883	184	316	-	397	406	950	1000	
BS3V 3NM 25/20S/C-ITT	4 x3	5,5 x3	9,6 x3			883				397				

(1) Anti-vibration pads kit supplied loose as standard

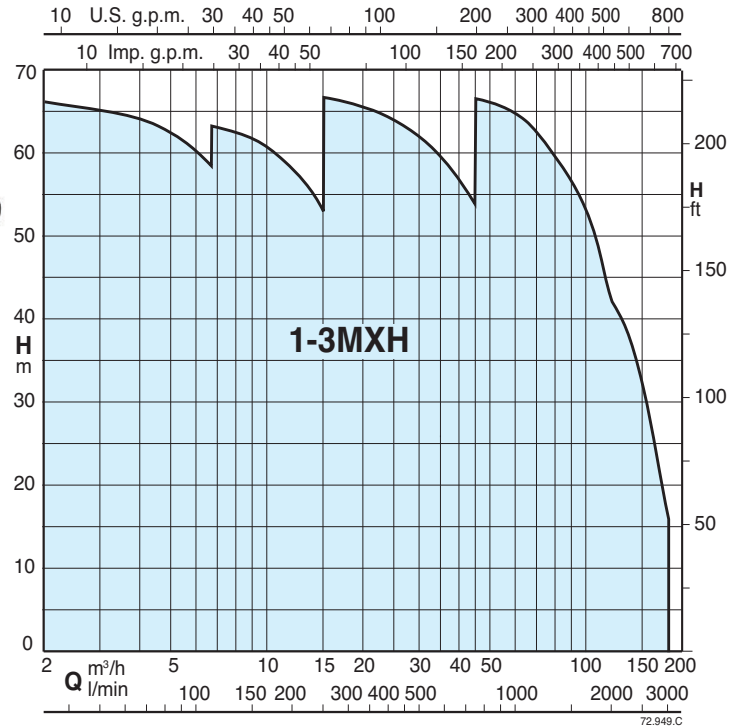


TYPE	Motor			Connection		mm								weight kg
	kW	HP	A	DN 1	DN 2	H	h1	h2	L1	L2	m1	B	B2	
BS3V 3NM 32/16B/A-ITT	1,5 x3	2 x3	4,3 x3	100	80	876	165	-	-	330	476	950	1000	
BS3V 3NM 32/16A/B-ITT	2,2 x3	3 x3	5,3 x3			876	370							
BS3V 3NM 32/20D/B-ITT	2,2 x3	3 x3	5,3 x3	100	80	876	195	-	-	370	476	950	1000	
BS3V 3NM 32/20C/A-ITT	3 x3	4 x3	6,6 x3			876	395							
BS3V 3NM 32/20A/B-ITT	4 x3	5,5 x3	9,6 x3	125	100	876	195	400	500	395	1100	1340	1400	
BS3V 3NM 32L/16B-ITT	3 x3	4 x3	6,6 x3			876	292							
BS3V 3NM 32L/16A-ITT	4 x3	5,5 x3	9,6 x3	125	100	876	292	420	500	370	1100	1340	1400	
BS3V 3NM 32L/20B-ITT	5,5 x3	7,5 x3	10,8 x3			876	320							
BS3V 3NM 32L/20A-ITT	7,5 x3	10 x3	14,3 x3	125	100	876	320	420	520	395	1100	1340	1400	
BS3V 3NM 40/16C/B-ITT	2,2 x3	3 x3	5,3 x3			876	320							
BS3V 3NM 40/16B/A-ITT	3 x3	4 x3	6,6 x3	125	100	897	292	400	500	370	1100	1340	1400	
BS3V 3NM 40/16A/C-ITT	4 x3	5,5 x3	9,6 x3			897	292							
BS3V 3NM 40/20D/B-ITT	4 x3	5,5 x3	9,6 x3	125	100	897	320	420	520	395	1100	1340	1400	
BS3V 3NM 40/20C/B-ITT	4 x3	5,5 x3	9,6 x3			897	320							
BS3V 3NM 40/20B/A-ITT	5,5 x3	7,5 x3	10,8 x3	150	125	897	320	448	525	425	-	1340	-	
BS3V 3NM 40/20A/A-ITT	5,5 x3	7,5 x3	10,8 x3			897	320							
BS3V 3NM 40/20A/A-ITT	7,5 x3	10 x3	14,3 x3	150	125	897	320	468	525	425	-	1340	-	
BS3V 3NM 40/25C/C-ITT	9,2 x3	12,5 x3	18,5 x3			897	320							
BS3V 3NM 40/25B/C-ITT	11 x3	15 x3	21,5 x3	150	125	977	340	465	520	540	1100	1340	1400	
BS3V 3NM 40/25A/D-ITT	15 x3	20 x3	27,3 x3			977	340							
BS3V 3NM 50/16B/B-ITT	5,5 x3	7,5 x3	10,8 x3	150	125	977	315	448	525	425	-	1340	-	
BS3V 3NM 50/16A/B-ITT	7,5 x3	10 x3	14,3 x3			977	315							
BS3V 3NM 50/20B/C-ITT	9,2 x3	12,5 x3	18,5 x3	150	125	977	315	468	525	540	-	1340	-	
BS3V 3NM 50/20A/C-ITT	11 x3	15 x3	21,5 x3			977	315							
BS3V 3NM 50/20S/C-ITT	15 x3	20 x3	27,3 x3	150	125	977	315	493	525	620	-	1440	-	
BS3V 3NM 50/25C/C-ITT	11 x3	15 x3	21,5 x3			977	340							
BS3V 3NM 50/25B/C-ITT	15 x3	20 x3	27,3 x3	150	125	977	340	493	525	620	-	1440	-	
BS3V 3NM 50/25A/D-ITT	18,5 x3	25 x3	34 x3			977	340							
BS3V 3NM 65/16D/B-ITT	7,5 x3	10 x3	14,3 x3	250	200	977	320	555	650	425	-	1540	-	
BS3V 3NM 65/16C/C-ITT	9,2 x3	12,5 x3	18,5 x3			977	320							
BS3V 3NM 65/16B/C-ITT	11 x3	15 x3	21,5 x3	250	200	977	320	555	650	540	-	1540	-	
BS3V 3NM 65/16A/R-ITT	15 x3	20 x3	27,3 x3			977	320							
BS3V 3NM 65/16A/C-ITT	15 x3	20 x3	27,3 x3	250	200	977	320	580	-	615	-	1900	-	
BS3V 3NM 65/20C/C-ITT	15 x3	20 x3	27,3 x3			977	320							
BS3V 3NM 65/20B/D-ITT	18,5 x3	25 x3	34 x3	250	200	977	340	580	-	445	-	1540	-	
BS3V 3NM 65/20A/A-ITT	22 x3	30 x3	41 x3			977	340							
BS3V 3NM 65/25C/A-ITT	22 x3	30 x3	41 x3	250	200	977	360	605	-	725	-	1900	-	
BS3V 3NM 80/16E/B-ITT	7,5 x3	10 x3	14,3 x3			977	340							
BS3V 3NM 80/16D/C-ITT	9,2 x3	12,5 x3	18,5 x3	300	250	977	340	645	-	420	-	1900	-	
BS3V 3NM 80/16C/C-ITT	11 x3	15 x3	21,5 x3			977	340							
BS3V 3NM 80/16B/C-ITT	15 x3	20 x3	27,3 x3	300	250	977	340	645	-	545	-	1900	-	
BS3V 3NM 80/16A/D-ITT	18,5 x3	25 x3	34 x3			977	340							
BS3V 3NM 80/20B-ITT	22 x3	30 x3	41 x3	300	250	-	360	670	-	725	-	1900	-	
BS3V 3NM 80/25E-ITT	22 x3	30 x3	41 x3			-	360							
BS3V 3NM 100/20E/A-ITT	18,5 x3	25 x3	34 x3	350	300	-	-	-	-	700	-	1900	-	
BS3V 3NM 100/20D-ITT	22 x3	30 x3	41 x3			-	-							

Dimensions not binding to be verified when ordering



Coverage chart



## Operation

**BS 1-6F Pressure boosting sets with 1 to 6 fixed speed pump. Sets with 4,5 and 6 pumps on request.**  
Depending on the reduction of the pressure in the system, the pressure switches (pressure transducer for 3-pump sets) determine the starting up of the pumps in sequence and the microprocessor alternates the starts.

**BS2-3V Pressure boosting sets with 2 to 3 variable speed pumps (with I-MAT).**  
Depending on water consumption, one or more pumps are activated, all at variable speed, in order to guarantee the quantity of water required at the set pressure.

**BS1-3V Pressure boosting sets with 1 to 3 variable speed pumps (with EASYMAT).**  
Depending on water consumption, one or more pumps are activated, all at variable speed, in order to guarantee the quantity of water required at the set pressure.

**BS1V2-5F Pressure boosting sets with 1 variable speed pump (with frequency converter into the control panel) and from 1 to 5 fixed speed pumps. Sets with 4,5 and 6 pumps on request.**  
According to the water consumption, one or more pumps start, one at variable speed and the others at fixed speed, to grant the water quantity required at the set pressure.

**BS1-6V Pressure boosting sets with 1 to 6 variable speed pumps (with frequency converter into the control panel). Sets with 4,5 and 6 pumps on request.**  
Depending on water consumption, one or more pumps are activated, all at variable speed, in order to guarantee the quantity of water required at the set pressure.

## Construction

- Automatic pressure boosting plant consisting of 1 to 6 horizontal multi-stage pumps complete with ball, non return valve on the suction side and ball valves on the delivery side.

**Suction and delivery manifolds for boosting sets with 2,3 pumps:**  
- stainless steel AISI 304.  
Connections are located on the delivery manifold for the installation of vessels G1 connection.

**Electrical control boards:**  
- with microprocessor for fixed speed pump units. Motor starting is D.O.L. up to 5,5 kW and Y/Δ for power rating 7,5 kW.  
- with frequency converter for variable speed pump units.

The unit includes one pressure gauge and three adjustable differential pressure switches or pressure transducer.

## Applications

To supply water in civil and industrial buildings.  
As pressure boosting pump to increase water pressure when needed (follow local rules).

## Motors

2-pole induction motors, 50 Hz,  $n \approx 2900$  rpm, suitable for operation with frequency converter.  
- Three-phase 230/400V  $\pm 10\%$  up to 3 kW;  
400/690V  $\pm 10\%$  for 4 kW to 7,5 kW;  
- Single-phase 230 V  $\pm 10\%$ , with thermal protector.  
Insulation class F.  
Protection IP 54.  
Constructed in accordance with: IEC 60034.  
Other voltages and frequencies on request.

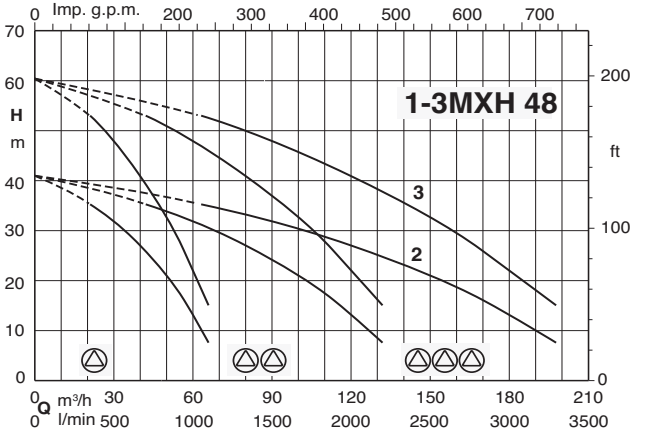
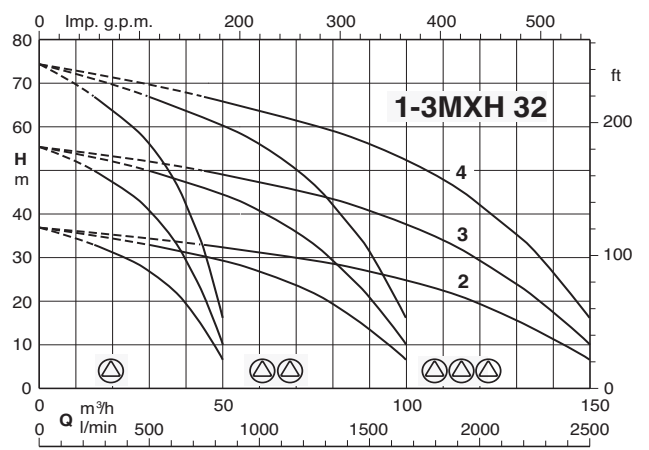
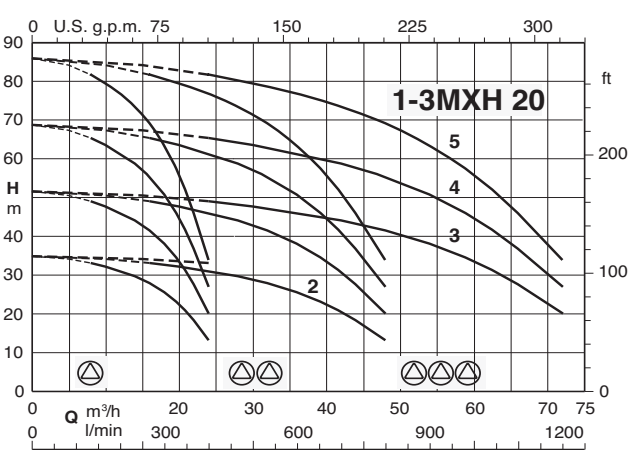
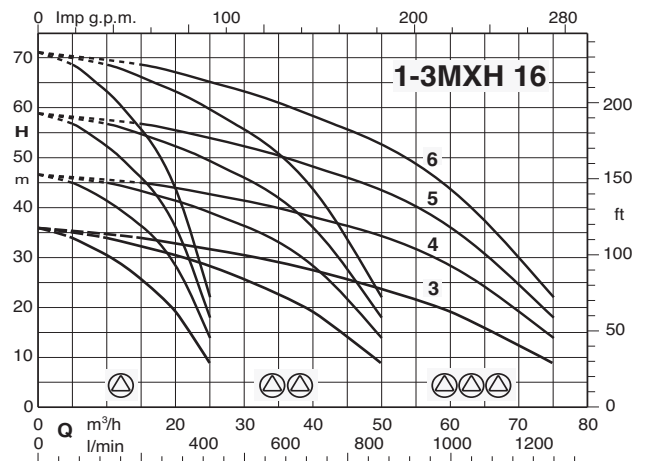
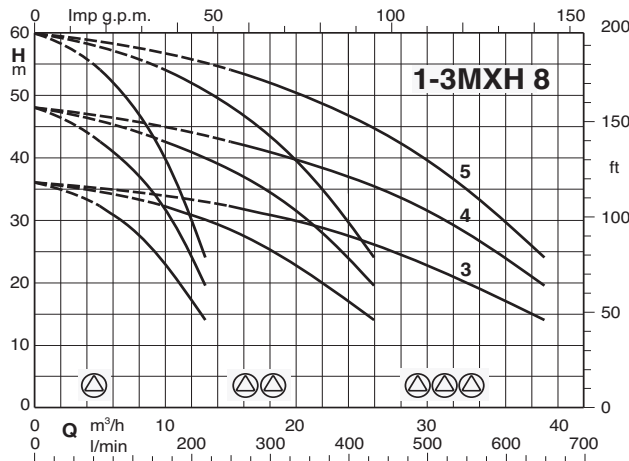
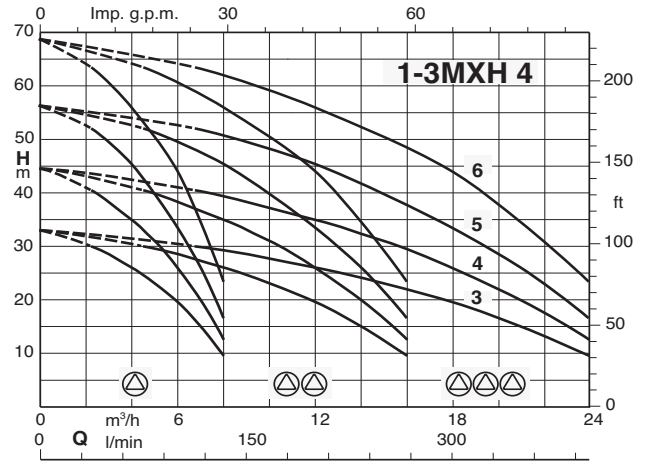
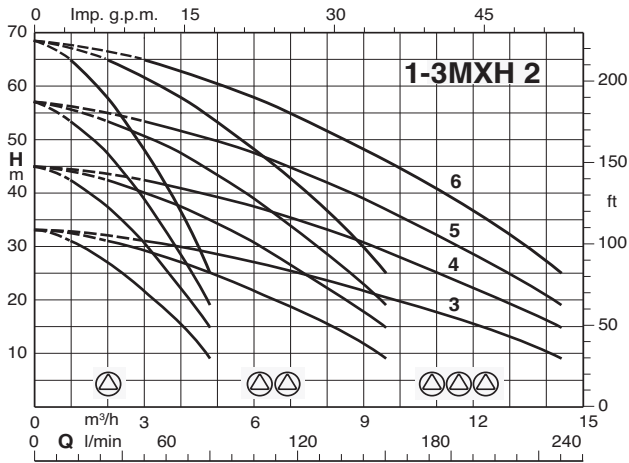
## Vessels on request

When installing the unit, connect in the delivery section to a diaphragm or galvanised tank.  
The recommended sized are shown in the following page.

## Special features on request

Pressure boosting sets with 4,5 and 6 pumps.

## Coverage chart





## Performance

### BS1F

### BSM1F

Mains: 400V 3~ Motor: 400V 3~	Mains: 230V 1~ Motor: 230V 1~	Motor		Pres. switch 1 bar		Vessel Membrane litre	Vessel litre
		kW	HP	min	max		
BS1F 1MXH 203E	BSM1F 1MXHM 203E	0,37	0,5	1,4	2,8	24	100
BS1F 1MXH 204/A	BSM1F 1MXHM 204/A	0,55	0,75	2,8	4	40	100
BS1F 1MXH 205/B	BSM1F 1MXHM 205/A	0,75	1	3,5	5	50	100
BS1F 1MXH 206/C	BSM1F 1MXHM 206	1,1	1,5	4	6	50	100
BS1F 1MXH 403/A	BSM1F 1MXHM 403/A	0,55	0,75	1,4	2,6	60	100
BS1F 1MXH 404/B	BSM1F 1MXHM 404/A	0,75	1	2,4	3,6	80	200
BS1F 1MXH 405/C	BSM1F 1MXHM 405	1,1	1,5	3,4	4,9	100	200
BS1F 1MXH 406/A	BSM1F 1MXHM 406	1,5	2	4	6	100	200
BS1F 1MXH 803/A	BSM1F 1MXHM 803	1,1	1,5	1,6	2,8	100	300
BS1F 1MXH 804/A	BSM1F 1MXHM 804	1,5	2	2,8	4	200	300
BS1F 1MXH 805/B		1,8	2,5	3,5	5	200	500
BS1F 1MXH 1603/B		1,8	2,5	1,5	3	300	500
BS1F 1MXH 1604/A		3	4	2,8	4	500	1000
BS1F 1MXH 1605/B		3,7	5	3,8	5,3	500	1000
BS1F 1MXH 1606/B		4	5,5	4,5	6,5	500	800
BS1F 1MXH 2002/A		1,8	2,5	1,5	2,8	300	500
BS1F 1MXH 2003		3	4	3	4,5	500	1000
BS1F 1MXH 2004/A		4	5,5	4,4	5,9	1000	1500
BS1F 1MXH 2005		5,5	7,5	5,5	7	1000	1500
BS1F 1MXH-F 3202/B		4	5,5	1,5	3	1000	2000
BS1F 1MXH-F 3203/A		5,5	7,5	3	4,5	1000	2000
BS1F 1MXH-F 3204/A		7,5	10	4	6	1500	3000
BS1F 1MXH-F 4802/A		5,5	7,5	1,5	3	1500	2000
BS1F 1MXH-F 4803/A		7,5	10	3	4,5	2000	3000

### BS2F

### BSM2F

Mains: 400V 3~ Motor: 400V 3~	Alimentazione 230V 1~ Motore 230V 1~	Motor		Pres. switch 1 bar		Pres. switch 2 bar		Vessel Membrane litre	Vessel litre
		kW	HP	min	max	min	max		
BS2F 2MXH 203E	BSM2F 2MXHM 203E	0,37 x2	0,5 x2	1,4	2,8	1	2,4	24	100
BS2F 2MXH 204/A	BSM2F 2MXHM 204/A	0,55 x2	0,75 x2	2,8	4	2,4	3,6	40	100
BS2F 2MXH 205/B	BSM2F 2MXHM 205/A	0,75 x2	1 x2	3,5	5	3	4,5	50	100
BS2F 2MXH 206/C	BSM2F 2MXHM 206	1,1 x2	1,5 x2	4	6	3,5	5,5	50	100
BS2F 2MXH 403/A	BSM2F 2MXHM 403/A	0,55 x2	0,75 x2	1,4	2,6	1	2,2	60	100
BS2F 2MXH 404/B	BSM2F 2MXHM 404/A	0,75 x2	1 x2	2,4	3,6	2	3,2	80	200
BS2F 2MXH 405/C	BSM2F 2MXHM 405	1,1 x2	1,5 x2	3,4	4,9	3	4,5	100	200
BS2F 2MXH 406/A	BSM2F 2MXHM 406	1,5 x2	2 x2	4	6	3,5	5,5	100	200
BS2F 2MXH 803/A	BSM2F 2MXHM 803	1,1 x2	1,5 x2	1,6	2,8	1,2	2,4	100	300
BS2F 2MXH 804/A	BSM2F 2MXHM 804	1,5 x2	2 x2	2,8	4	2,4	3,6	200	300
BS2F 2MXH 805/B		1,8 x2	2,5 x2	3,5	5	3	4,5	200	500
BS2F 2MXH 1603/B		1,8 x2	2,5 x2	1,5	3	1,2	2,7	300	500
BS2F 2MXH 1604/A		3 x2	4 x2	2,8	4	2,4	3,6	500	1000
BS2F 2MXH 1605/B		3,7 x2	5 x2	3,8	5,3	3,4	4,9	500	1000
BS2F 2MXH 1606/B		4 x2	5,5 x2	4,5	6,5	4	6	500	800
BS2F 2MXH 2002/A		1,8 x2	2,5 x2	1,5	2,8	1,2	2,5	300	500
BS2F 2MXH 2003		3 x2	4 x2	3	4,5	2,5	4	500	1000
BS2F 2MXH 2004/A		4 x2	5,5 x2	4,4	5,9	3,9	5,4	1000	1500
BS2F 2MXH 2005		5,5 x2	7,5 x2	5,5	7	5,1	6,6	1000	1500
BS2F 2MXH-F 3202/B		4 x2	5,5 x2	1,5	3	1,2	2,7	1000	2000
BS2F 2MXH-F 3203/A		5,5 x2	7,5 x2	3	4,5	2,5	4	1000	2000
BS2F 2MXH-F 3204/A		7,5 x2	10 x2	4	6	3,5	5,5	1500	3000
BS2F 2MXH-F 4802/A		5,5 x2	7,5 x2	1,5	3	1,2	2,7	1500	2000
BS2F 2MXH-F 4803/A		7,5 x2	10 x2	3	4,5	2,5	4	2000	3000

### BS3F

Mains: 400V 3~ Motor: 400V 3~	Motor		Pressure transducer bar		Vessel Membrane litre	Vessel litre
	kW	HP	min	max		
BS3F 3MXH 203E	0,37 x3	0,5 x3	2	2,8	24x2	100
BS3F 3MXH 204/A	0,55 x3	0,75 x3	2,9	3,8	24x2	100
BS3F 3MXH 205/B	0,75 x3	1 x3	3,3	4,8	24x2	100
BS3F 3MXH 206/C	1,1 x3	1,5 x3	4,2	5,9	60	100
BS3F 3MXH 403/A	0,55 x3	0,75 x3	1,9	2,7	80	200
BS3F 3MXH 404/B	0,75 x3	1 x3	2,8	3,6	100	200
BS3F 3MXH 405/C	1,1 x3	1,5 x3	3,2	4,7	100	200
BS3F 3MXH 406/A	1,5 x3	2 x3	4	5,7	150	200
BS3F 3MXH 803/A	1,1 x3	1,5 x3	2,1	2,9	200	500
BS3F 3MXH 804/A	1,5 x3	2 x3	2,9	3,8	300	500
BS3F 3MXH 805/B	1,8 x3	2,5 x3	3,4	4,9	300	500
BS3F 3MXH 1603/B	1,8 x3	2,5 x3	2,2	3	300	800
BS3F 3MXH 1604/A	3 x3	4 x3	3,3	4,2	500	1000
BS3F 3MXH 1605/B	3,7 x3	5 x3	3,6	5,2	500	1000
BS3F 3MXH 1606/B	4 x3	5,5 x3	4,4	6,1	500	1000
BS3F 3MXH 2003	3 x3	4 x3	3,4	4,3	500	800
BS3F 3MXH 2004/A	4 x3	5,5 x3	4,1	5,8	500	1000
BS3F 3MXH 2005	5,5 x3	7,5 x3	5,4	7,3	750	1500
BS3F 3MXH-F 3202/B	4 x3	5,5 x3	2,1	2,9	1000	2000
BS3F 3MXH-F 3203/A	5,5 x3	7,5 x3	2,9	4,4	1000	2000
BS3F 3MXH-F 3204/A	7,5 x3	10 x3	4,3	6	1500	3000
BS3F 3MXH-F 4802/A	5,5 x3	7,5 x3	2,3	3,1	1500	3000
BS3F 3MXH-F 4803/A	7,5 x3	10 x3	3,2	4,7	1500	3000

## Performance

### BS..

PUMPS Nos						PUMP TYPE	P <sub>2</sub> For each pump	
1	2	3	4	5	6		kW	HP
BS1V	BS2V BS1V1F BSM1V1F* BSM2V**	BS3V BS1V2F	BS4V BS1V3F	BS5V BS1V4F	BS6V BS1V5F	MXH 203E	0,37	0,5
						MXH 204/A	0,55	0,75
						MXH 205/B	0,75	1
						MXH 206/C	1,1	1,5
						MXH 403/A	0,55	0,75
						MXH 404/B	0,75	1
						MXH 405/C	1,1	1,5
						MXH 406/A	1,5	2
						MXH 803/A	1,1	1,5
						MXH 804/A	1,5	2
						MXH 805/B	1,8	2,5
						MXH 1603/B	1,8	2,5
						MXH 1604/A	3	4
						MXH 1605/B	3,7	5
						MXH 1606/B	4	5,5
						MXH 2002/A	1,8	2,5
						MXH 2003	3	4
						MXH 2004/A	4	5,5
						MXH 2005	5,5	7,5
						MXH-F 3202/B	4	5,5
MXH-F 3203/A	5,5	7,5						
MXH-F 3204/A	7,5	10						
MXH-F 4802/A	5,5	7,5						
MXH-F 4803/A	7,5	10						

### BS.. ..-ITT

PUMPS Nos		PUMP TYPE	P <sub>2</sub> For each pump	
2	3		kW	HP
BS2V -ITT	BS3V -ITT	MXH 204/A-ITT	0,55	0,75
		MXH 205/B-ITT	0,75	1
		MXH 206/C-ITT	1,1	1,5
		MXH 403/A-ITT	0,55	0,75
		MXH 404/B-ITT	0,75	1
		MXH 405/C-ITT	1,1	1,5
		MXH 406/A-ITT	1,5	2
		MXH 803/A-ITT	1,1	1,5
		MXH 804/A-ITT	1,5	2
		MXH 805/B-ITT	1,8	2,5
		MXH 1603/B-ITT	1,8	2,5
		MXH 1604/A-ITT	3	4
		MXH 1605/B-ITT	3,7	5
		MXH 1606/B-ITT	4	5,5
		MXH 2002/A-ITT	1,8	2,5
		MXH 2003-ITT	3	4
		MXH 2004/A-ITT	4	5,5
		MXH 2005-ITT	5,5	7,5
		MXH-F 3202/B-ITT	4	5,5
		MXH-F 3203/A-ITT	5,5	7,5
MXH-F 3204/A-ITT	7,5	10		
MXH-F 4802/A-ITT	5,5	7,5		
MXH-F 4803/A-ITT	7,5	10		

(\*) SYSTEMS WITH:

- 1 variable speed pump three-phase motor
- 1 fixed speed pump single-phase motor
- Power supply to control panel 230 V single-phase

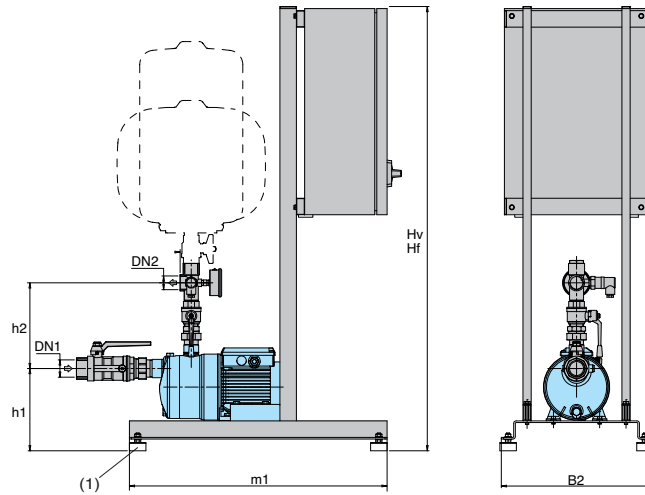
(\*\*) Three-phase motor 230 V.

- Power supply to control panel: - 230 V three-phase
- 230 V single-phase
- Frequency converter output is always 230 V three-phase.

### BS.. ..-EMT, EMM

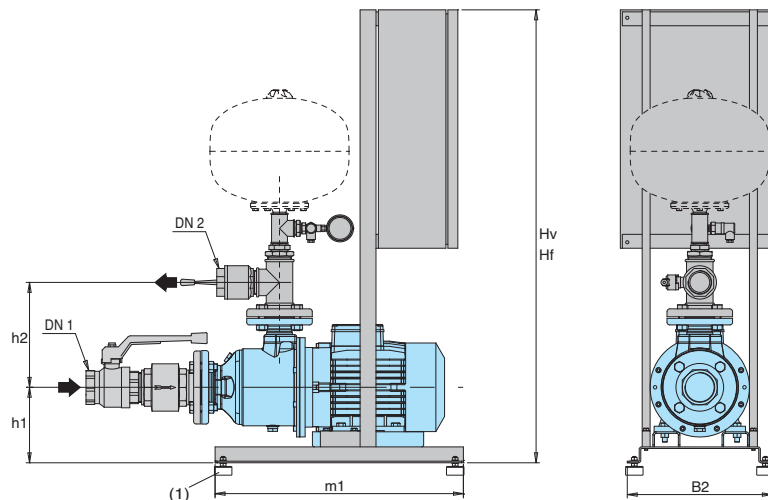
PUMPS Nos			PUMP TYPE	P <sub>2</sub> For each pump	
1	2	3		kW	HP
BSM1V -EMT -EMM	BSM2V -EMT	BSM3V -EMT	MXH 203E-EMT	0,37	0,5
			MXH 204/A-EMT	0,55	0,75
			MXH 205/B-EMT	0,75	1
			MXH 206/C-EMT	1,1	1,5
			MXH 403/A-EMT	0,55	0,75
			MXH 404/B-EMT	0,75	1
			MXH 405/C-EMT	1,1	1,5
			MXH 406/A-EMT	1,5	2
			MXH 803/A-EMT	1,1	1,5
			MXH 804/A-EMT	1,5	2
			MXH 805/B-EMT	1,8	2,5
			MXH 1603/B-EMT	1,8	2,5

## Dimensions and weights



TYPE	Connection		mm						weight kg
	DN 1	DN 2	Hv	Hf	h1	h2	m1	B2	
BS1.. 1MXH 203E									-
BS1.. 1MXH 204/A	G 1 1/4	G 1	1045	875	170	145	625	365	
BS1.. 1MXH 205/B									
BS1.. 1MXH 206/C									
BS1.. 1MXH 403/A	G 1 1/4	G 1	1045	875	170	145	625	365	
BS1.. 1MXH 404/B									
BS1.. 1MXH 405/C									
BS1.. 1MXH 406/A									
BS1.. 1MXH 803/A	G 1 1/2	G 1	1045	875	170	145	625	365	
BS1.. 1MXH 804/A									
BS1.. 1MXH 805/B									
BS1.. 1MXH 1603/B									
BS1.. 1MXH 1604/A									
BS1.. 1MXH 1605/B	G 2	G 1 1/2	1045	875	175	195	625	365	
BS1.. 1MXH 1606/B									

Dimensions not binding to be verified when ordering (1) Anti-vibration pads kit supplied loose as standard

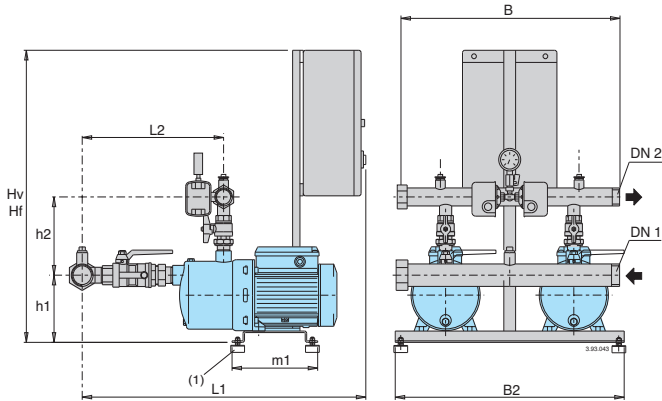


TYPE	Connection		mm						weight kg
	DN 1	DN 2	Hv	Hf	h1	h2	m1	B2	
BS1.. 1MXH 2002/A	G 2	G 1 1/2	1045	875	195	197	625	365	
BS1.. 1MXH 2003									
BS1.. 1MXH 2004/A									
BS1.. 1MXH 2005			1145	1145					
BS1.. 1MXH-F 3202/B	G 2 1/2	G 2	1045	875	195	265	625	365	
BS1.. 1MXH-F 3203/A									
BS1.. 1MXH-F 3204/A									
BS1.. 1MXH-F 4802/A	G 3	G 2 1/2	1145	1145	195	275	625	365	
BS1.. 1MXH-F 4803/A									

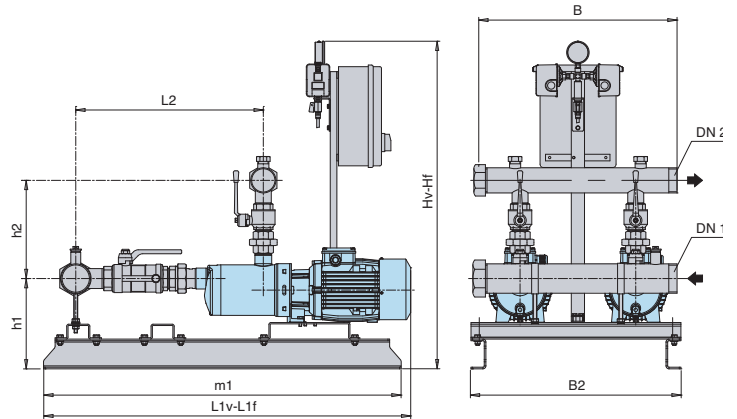
Dimensions not binding to be verified when ordering (1) Anti-vibration pads kit supplied loose as standard

## Dimensions and weights

### BS.. 2MXH 2,4,8



### BS.. 2MXH 16

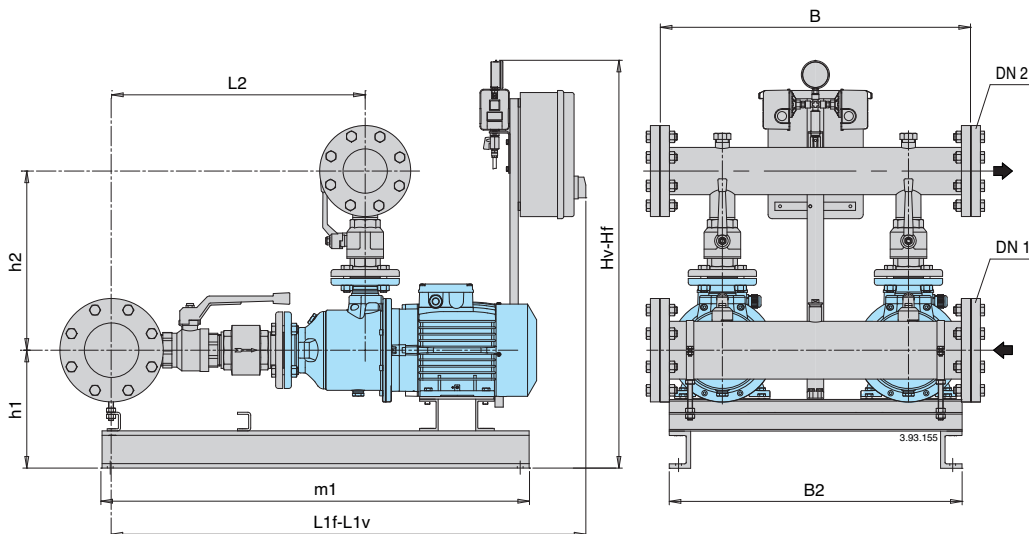


TYPE	Connection		mm									weight	
	DN 1	DN 2	Hf	Hv	h1	h2	L1f	L1v	L2	m1	B2	B	kg
BS.. 2MXH 203E	G 2	G 1 1/2	840	-	162	202	773	-	323				42
BS.. 2MXH 204/A	G 2	G 1 1/2	840	-	162	202	796	-	347				47
BS.. 2MXH 205/B	G 2	G 1 1/2	840	-	162	202	820	-	371				50
BS.. 2MXH 206/C	G 2	G 1 1/2	840	-	162	202	845	-	395				54
BS.. 2MXH 403/A	G 2	G 1 1/2	840	-	162	202	773	-	323				46
BS.. 2MXH 404/B	G 2	G 1 1/2	840	-	162	202	796	-	347				49
BS.. 2MXH 405/C	G 2	G 1 1/2	840	-	162	202	820	-	371	235	625	600	53
BS.. 2MXH 406/A	G 2	G 1 1/2	840	-	162	202	845	-	395				57
BS.. 2MXH 803/A	G 2 1/2	G 2	840	-	162	208	866	-	386				61
BS.. 2MXH 804/A	G 2 1/2	G 2	840	-	162	208	896	-	416				66
BS.. 2MXH 805/B	G 2 1/2	G 2	840	-	162	208	926	-	446				68
BS.. 2MXH 1603/B	G 3	G 2 1/2	1040	980	258	281	1050	1115	490				-
BS.. 2MXH 1604/A	G 3	G 2 1/2	1040	980	273	281	1085	1150	530	1090	625	600	-
BS.. 2MXH 1605/B	G 3	G 2 1/2	1040	980	273	281	1120	1185	565				-
BS.. 2MXH 1606/B	G 3	G 2 1/2	1040	980	273	281	1178	1245	605				-
BS.. 2MXH 2002/A	G 3	G 2 1/2	1040	980	220	351	1155	1220	484				-
BS.. 2MXH 2003	G 3	G 2 1/2	1040	980	230	351	1155	1220	503	1090	625	600	-
BS.. 2MXH 2004/A	G 3	G 2 1/2	1040	980	230	351	1180	1245	537				-
BS.. 2MXH 2005	G 3	G 2 1/2	1040	980	252	351	1230	1295	572				-

Dimensions not binding to be verified when ordering

(1) Anti-vibration pads kit supplied loose as standard

Hf= Fixed speed boosting sets  
Hv= Variable speed boosting sets

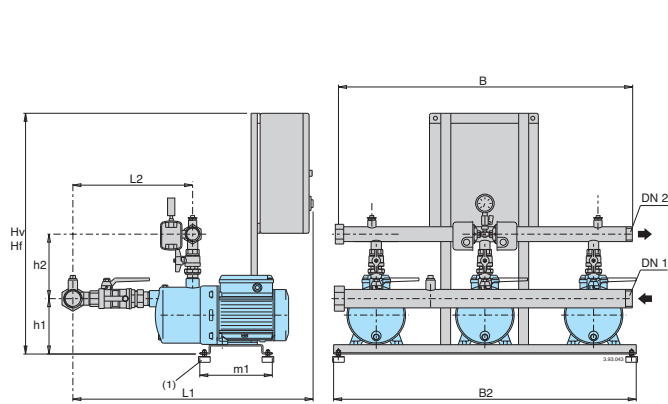


TYPE	Connection		mm									weight	
	DN 1	DN 2	Hf	Hv	h1	h2	L1f	L1v	L2	m1	B2	B	kg
BS.. 2MXH-F 3202/B	100	80	1510	-	298	402	1265	-	558	1175			214
BS.. 2MXH-F 3203	100	80	1510	-	298	402	1270	-	604	1150			243
BS.. 2MXH-F 3204/A	100	80	1510	-	298	402	1320	-	650	1175	750	750	260
BS.. 2MXH-F 4802/A	125	100	1510	-	298	465	1380	-	654	1175			268
BS.. 2MXH-F 4803/A	125	100	1510	-	298	465	1420	-	716	1220			286

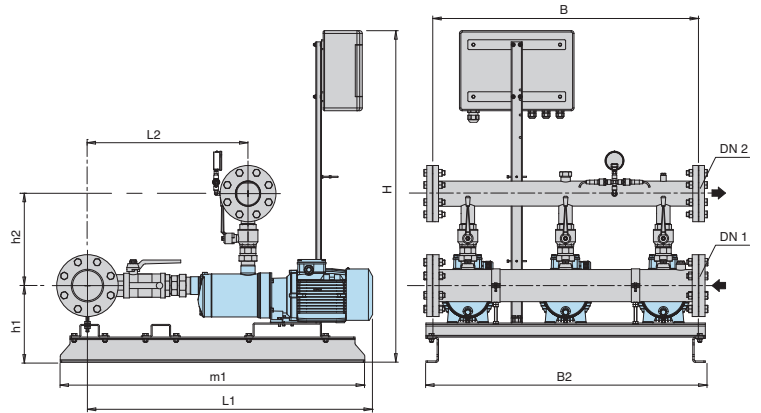
Dimensions not binding to be verified when ordering

## Dimensions and weights

### BS.. 3MXH 2,4,8



### BS.. 3MXH 16

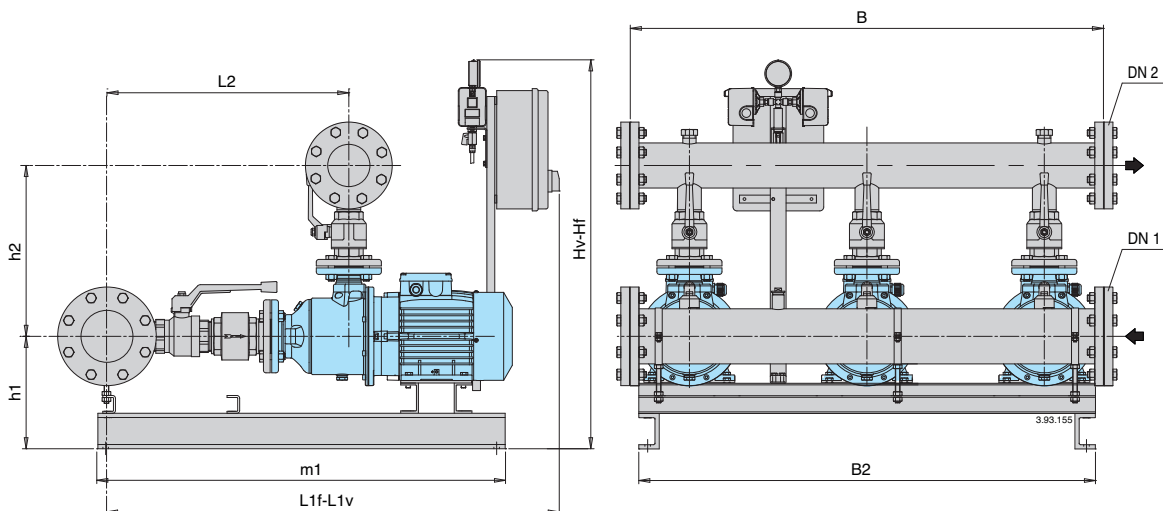


TYPE	Connection		mm										weight kg
	DN 1	DN 2	Hf	Hv	h1	h2	L1f	L1v	L2	m1	B2	B	
BS.. 3MXH 203E	G 2 1/2	G 2	840	-	178	202	773	-	335	305	1000	950	-
BS.. 3MXH 204/A	G 2 1/2	G 2	840	-	178	202	796	-	358				-
BS.. 3MXH 205/B	G 2 1/2	G 2	840	-	178	202	820	-	382				-
BS.. 3MXH 206/C	G 2 1/2	G 2	840	-	178	202	845	-	406				-
BS.. 3MXH 403/A	G 2 1/2	G 2	840	-	178	202	773	-	335				-
BS.. 3MXH 404/B	G 2 1/2	G 2	840	-	178	202	796	-	358				-
BS.. 3MXH 405/C	G 2 1/2	G 2	840	-	178	202	820	-	382				-
BS.. 3MXH 406/A	G 2 1/2	G 2	840	-	178	202	845	-	406				-
BS.. 3MXH 803/A	G 3	G 2 1/2	840	-	178	208	866	-	428				-
BS.. 3MXH 804/A	G 3	G 2 1/2	840	-	178	208	896	-	458				-
BS.. 3MXH 805/B	G 3	G 2 1/2	840	-	178	208	926	-	488	-			
BS.. 3MXH 1603/B	DN 100	DN 80	1060	1550	258	327	1096	1100	500	1090	1000	950	-
BS.. 3MXH 1604/A	DN 100	DN 80	1060	1550	273	327	1131	1135	538				-
BS.. 3MXH 1605/B	DN 100	DN 80	1060	1550	273	327	1167	1171	575				-
BS.. 3MXH 1606/B	DN 100	DN 80	1060	1550	273	327	1227	1231	613				-
BS.. 3MXH 2002/A	DN 100	DN 80	1060	1550	290	398	1166	1170	499	1090	1000	950	-
BS.. 3MXH 2003	DN 100	DN 80	1060	1550	290	398	1166	1170	518				-
BS.. 3MXH 2004/A	DN 100	DN 80	1060	1550	290	398	1226	1230	553				-
BS.. 3MXH 2005	DN 100	DN 80	1060	1550	252	398	1241	1245	587				-

Dimensions not binding to be verified when ordering

(1) Anti-vibration pads kit supplied loose as standard

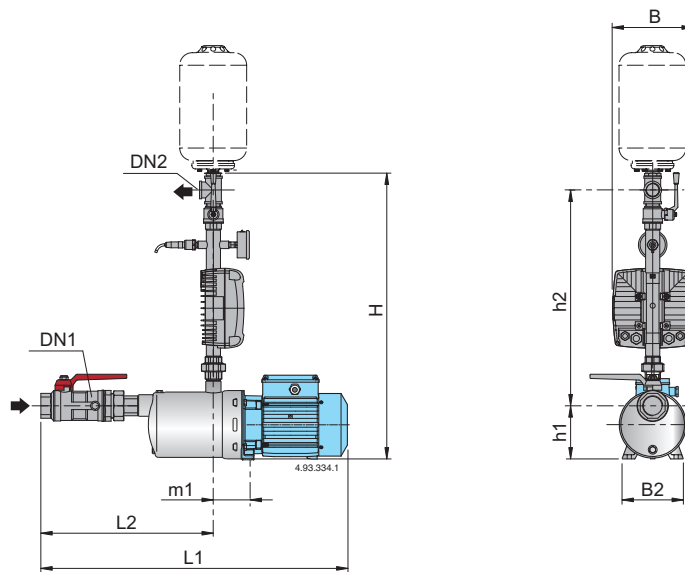
Hf= Fixed speed boosting sets  
Hv= Variable speed boosting sets



TYPE	Connection		mm										weight kg
	DN 1	DN 2	Hf	Hv	h1	h2	L1f	L1v	L2	m1	B2	B	
BS.. 3MXH-F 3202/B	125	100	1510	-	318	415	1265	-	565	1175	1150	1200	-
BS.. 3MXH-F 3203/A	125	100	1510	-	318	415	1270	-	617	1060			-
BS.. 3MXH-F 3204/A	125	100	1510	-	318	415	1320	-	660	1175			-
BS.. 3MXH-F 4802/A	150	125	1510	-	318	465	1380	-	665	1175			-
BS.. 3MXH-F 4803/A	150	125	1510	-	318	465	1420	-	725	1220	-		

Dimensions not binding to be verified when ordering

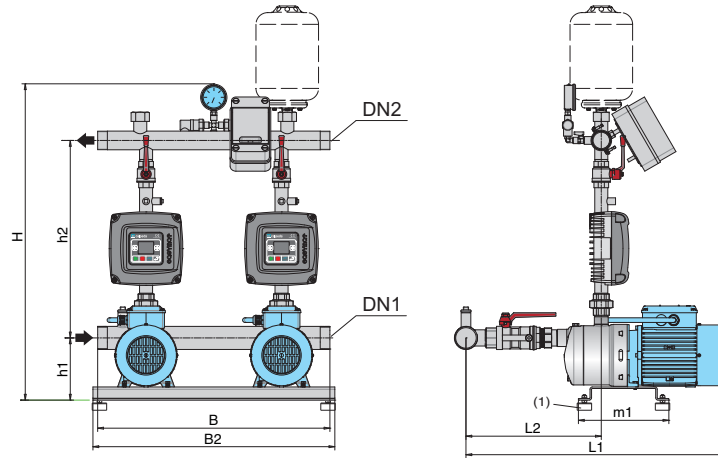
## Characteristic and dimensions



Mains: 1~ 230V Motor: 3~ 230V	mains A	motor A	Mains: 1~ 230V Motor: 1~ 230V	A	P2		Connection		mm							
					kW	HP	DN1	DN2	H	h1	h2	L1	L2	m1	B	B2
BSM1V 1MXH 203E-EMT	3,2	2,4	BSM1V 1MXHM 203E-EMM	3	0,37	0,5	G 1 1/4	G 1	708	127	516	511	274	88	165	146
BSM1V 1MXH 204/A-EMT	4	2,8	BSM1V 1MXHM 204/A-EMM	4,2	0,55	0,75						561	298			
BSM1V 1MXH 205/B-EMT	5	3,5	BSM1V 1MXHM 205/A-EMM	5,4	0,75	1						585	322			
BSM1V 1MXH 206/C-EMT	6,3	4,7	BSM1V 1MXHM 206-EMM	7,4	1,1	1,5						609	346			
BSM1V 1MXH 403/A-EMT	4	2,8	BSM1V 1MXHM 403/A-EMM	4,2	0,55	0,75	G 1 1/4	G 1	708	127	516	537	274	88	165	146
BSM1V 1MXH 404/B-EMT	5	3,5	BSM1V 1MXHM 404/A-EMM	5,4	0,75	1						561	298			
BSM1V 1MXH 405/C-EMT	6,7	4,7	BSM1V 1MXHM 405-EMM	7,4	1,1	1,5						585	322			
BSM1V 1MXH 406/A-EMT	8	6,2			1,5	2						680	346			
BSM1V 1MXH 803/A-EMT	7,1	5	BSM1V 1MXHM 803-EMM	7,4	1,1	1,5	G 1 1/2	G 1	708	127	516	657	323	88	165	146
BSM1V 1MXH 804/A-EMT	8,6	6,2			1,5	2						687	353			
BSM1V 1MXH 805/B-EMT	10,7	7,5			1,8	2,5						717	383			
BSM1V 1MXH 1603/B-EMT	10,7	7,5			1,8	2,5	G 2	G 1 1/2	750	117	560	752	404	101	165	146

Dimensions not binding to be verified when ordering

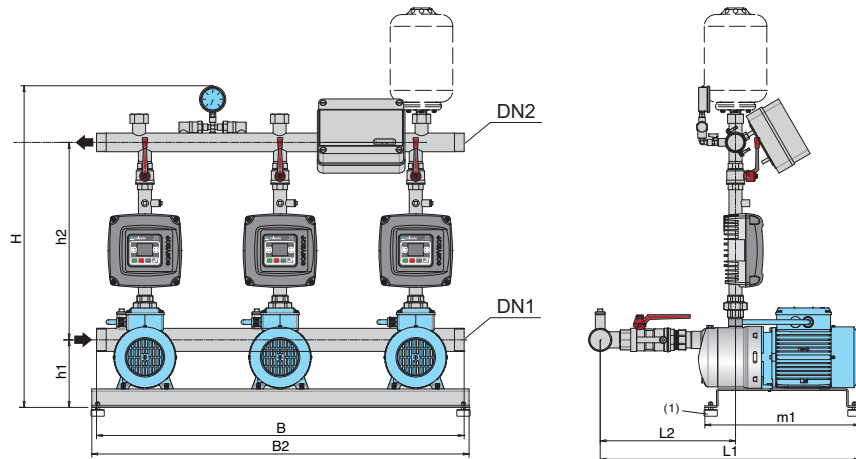
## Characteristic and dimensions



Mains: 1~ 230V Motor: 3~ 230V	mains A	motor A	P2		Connection		mm							
			kW	HP	DN1	DN2	H	h1	h2	L1	L2	m1	B	B2
BSM2V 2MXH 203E-EMT	3,2 x 2	2,4 x 2	0,37 x 2	0,5 x 2	G 2	G 1 1/2	800	162	486	560	323	240	600	625
BSM2V 2MXH 204/A-EMT	4 x 2	2,8 x 2	0,55 x 2	0,75 x 2						610	347			
BSM2V 2MXH 205/B-EMT	5 x 2	3,5 x 2	0,75 x 2	1 x 2						633	371			
BSM2V 2MXH 206/C-EMT	6,3 x 2	4,7 x 2	1,1 x 2	1,5 x 2	G 2	G 1 1/2	800	162	486	729	395	240	600	625
BSM2V 2MXH 403/A-EMT	4 x 2	2,8 x 2	0,55 x 2	0,75 x 2						586	323			
BSM2V 2MXH 404/B-EMT	5 x 2	3,5 x 2	0,75 x 2	1 x 2						610	347			
BSM2V 2MXH 405/C-EMT	6,7 x 2	4,7 x 2	1,1 x 2	1,5 x 2	G 2 1/2	G 2	806	162	492	705	371	240	600	625
BSM2V 2MXH 406/A-EMT	8 x 2	6,2 x 2	1,5 x 2	2 x 2						729	395			
BSM2V 2MXH 803/A-EMT	7,1 x 2	5 x 2	1,1 x 2	1,5 x 2						730	386			
BSM2V 2MXH 804/A-EMT	8,6 x 2	6,2 x 2	1,5 x 2	2 x 2	G 3	G 2 1/2	974	258	563	760	416	1090	600	625
BSM2V 2MXH 805/B-EMT	10,7 x 2	7,5 x 2	1,8 x 2	2,5 x 2						830	446			
BSM2V 2MXH 1603/B-EMT	10,7 x 2	7,5 x 2	1,8 x 2	2,5 x 2	G 3	G 2 1/2	974	258	563	872	490	1090	600	625

Dimensions not binding to be verified when ordering

(1) Anti-vibration pads kit supplied loose as standard



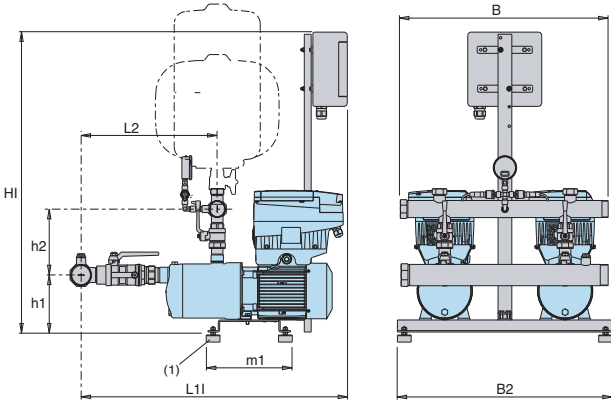
Mains: 1~ 230V Motor: 3~ 230V	mains A	motor A	P2		Connection		mm							
			kW	HP	DN1	DN2	H	h1	h2	L1	L2	m1	B	B2
BSM3V 3MXH 203E-EMT	3,2 x 3	2,4 x 3	0,37 x 3	0,5 x 3	G 2 1/2	G 2	821	178	492	568	331	305	950	1000
BSM3V 3MXH 204/A-EMT	4 x 3	2,8 x 3	0,55 x 3	0,75 x 3						618	355			
BSM3V 3MXH 205/B-EMT	5 x 3	3,5 x 3	0,75 x 3	1 x 3						642	379			
BSM3V 3MXH 206/C-EMT	6,3 x 3	4,7 x 3	1,1 x 3	1,5 x 3	G 2 1/2	G 2	821	178	492	737	403	305	950	1000
BSM3V 3MXH 403/A-EMT	4 x 3	2,8 x 3	0,55 x 3	0,75 x 3						594	331			
BSM3V 3MXH 404/B-EMT	5 x 3	3,5 x 3	0,75 x 3	1 x 3						618	355			
BSM3V 3MXH 405/C-EMT	6,7 x 3	4,7 x 3	1,1 x 3	1,5 x 3	G 3	G 2 1/2	845	178	512	713	379	1090	1000	
BSM3V 3MXH 406/A-EMT	8 x 3	6,2 x 3	1,5 x 3	2 x 3						737	403			
BSM3V 3MXH 803/A-EMT	7,1 x 3	5 x 3	1,1 x 3	1,5 x 3						736	402			
BSM3V 3MXH 804/A-EMT	8,6 x 3	6,2 x 3	1,5 x 3	2 x 3	DN 100	DN 80	1136	258	609	766	432	1090	1000	
BSM3V 3MXH 805/B-EMT	10,7 x 3	7,5 x 3	1,8 x 3	2,5 x 3						836	462			
BSM3V 3MXH 1603/B-EMT	10,7 x 3	7,5 x 3	1,8 x 3	2,5 x 3	DN 100	DN 80	1136	258	609	886	498	1090	1000	

Dimensions not binding to be verified when ordering

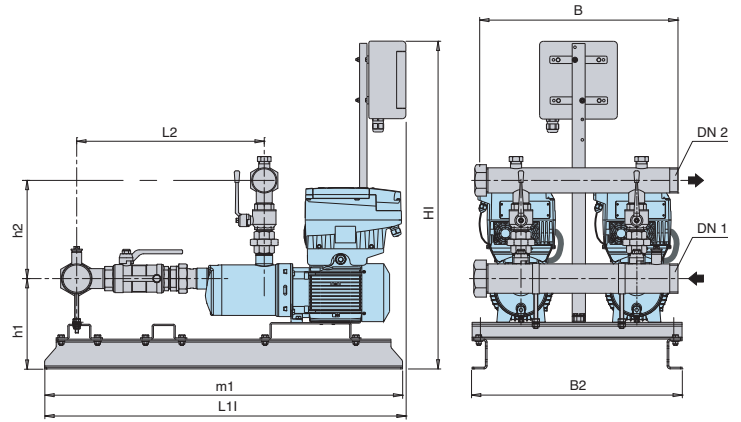
(1) Anti-vibration pads kit supplied loose as standard

## Dimensions and weights

### BS.. 2MXH 2,4,8



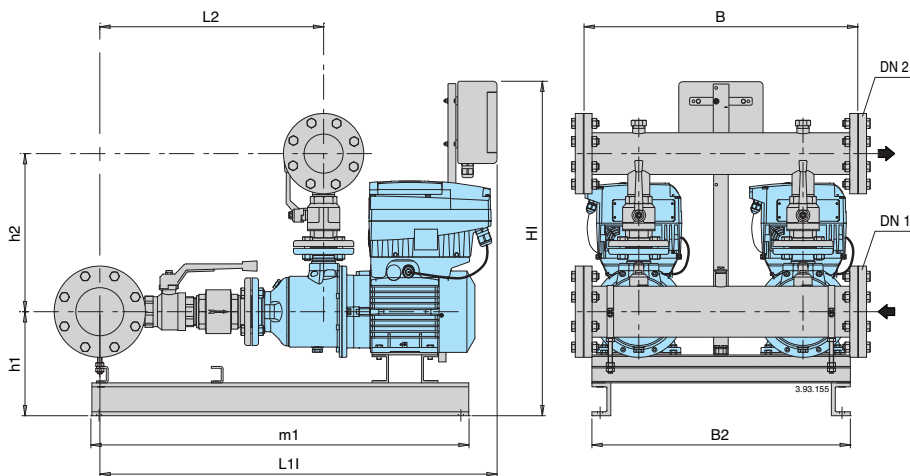
### BS.. 2MXH 16



TYPE	Motor			Connection		mm							weight kg	
	kW	HP	A	DN 1	DN 2	HI	h1	h2	L11	L2	m1	B2		B
BS2V 2MXH 204/A-ITT	0,55 x2	0,75 x2	1,6 x2	G 2	G 1 1/2	848	162	187	725	347	235	625	600	47
BS2V 2MXH 205/B-ITT	0,75 x2	1 x2	2 x2	G 2	G 1 1/2	848	162	187	749	371				50
BS2V 2MXH 206/C-ITT	1,1 x2	1,5 x2	2,7 x2	G 2	G 1 1/2	848	162	187	773	395				54
BS2V 2MXH 403/A-ITT	0,55 x2	0,75 x2	1,6 x2	G 2	G 1 1/2	848	162	187	701	323				46
BS2V 2MXH 404/B-ITT	0,75 x2	1 x2	2 x2	G 2	G 1 1/2	848	162	187	725	347				49
BS2V 2MXH 405/C-ITT	1,1 x2	1,5 x2	2,7 x2	G 2	G 1 1/2	848	162	187	749	371				53
BS2V 2MXH 406/A-ITT	1,5 x2	2 x2	3,6 x2	G 2	G 1 1/2	848	162	187	773	395				57
BS2V 2MXH 803/A-ITT	1,1 x2	1,5 x2	2,7 x2	G 2 1/2	G 2	848	162	193	764	386				61
BS2V 2MXH 804/A-ITT	1,5 x2	2 x2	3,6 x2	G 2 1/2	G 2	848	162	193	794	416				66
BS2V 2MXH 805/B-ITT	1,8 x2	2,5 x2	4,3 x2	G 2 1/2	G 2	848	162	193	830	446				68
BS2V 2MXH 1603/B-ITT	1,8 x2	2,5 x2	4,3 x2	G 3	G 2 1/2	980	258	281	1065	490	1090	625	600	87
BS2V 2MXH 1604/A-ITT	3 x2	4 x2	6,6 x2	G 3	G 2 1/2	980	273	281	1100	530				114
BS2V 2MXH 1605/B-ITT	3,7 x2	5 x2	9,6 x2	G 3	G 2 1/2	980	273	281	1133	565				122
BS2V 2MXH 1606/B-ITT	4 x2	5,5 x2	9,6 x2	G 3	G 2 1/2	980	273	281	1192	605				124
BS2V 2MXH 2002/A-ITT	1,8 x2	2,5 x2	5,3 x2	G 3	G 2 1/2	980	220	351	1170	484				
BS2V 2MXH 2003-ITT	3 x2	4 x2	6,6 x2	G 3	G 2 1/2	980	230	351	1170	503				
BS2V 2MXH 2004/A-ITT	4 x2	5,5 x2	9,6 x2	G 3	G 2 1/2	980	230	351	1195	537				
BS2V 2MXH 2005-ITT	5,5 x2	7,5 x2	10,9 x2	G 3	G 2 1/2	980	252	351	1245	572				

Dimensions not binding to be verified when ordering

(1) Anti-vibration pads kit supplied loose as standard



TYPE	Motor			Connection		mm							weight kg	
	kW	HP	A	DN 1	DN 2	HI	h1	h2	L11	L2	m1	B2		B
BS2V 2MXH-F 3202/B-ITT	4 x2	5,5 x2	9,6 x2	100	80	1180	298	402	1180	558	1010	750	750	243
BS2V 2MXH-F 3203/A-ITT	5,5 x2	7,5 x2	10,9 x2	100	80	1180	298	402	1274	604	1050			260
BS2V 2MXH-F 3204/A-ITT	7,5 x2	10 x2	14,3 x2	100	80	1180	298	402	1320	650	1110			286
BS2V 2MXH-F 4802/A-ITT	5,5 x2	7,5 x2	10,9 x2	125	100	1198	298	468	1306	654	1065			
BS2V 2MXH-F 4803/A-ITT	7,5 x2	10 x2	14,3 x2	125	100	1198	298	468	1367	716	1110			

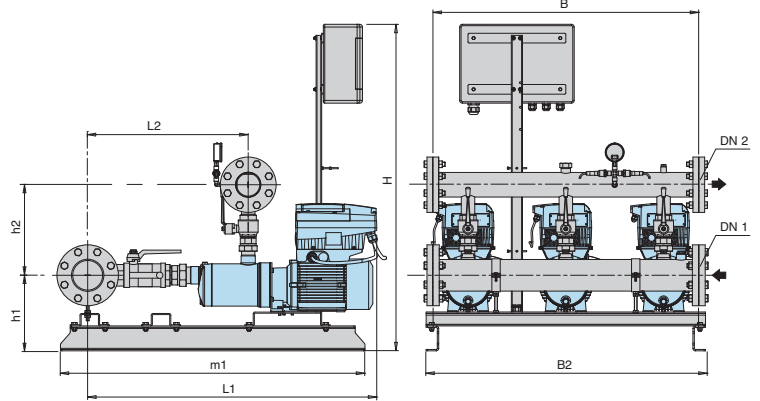
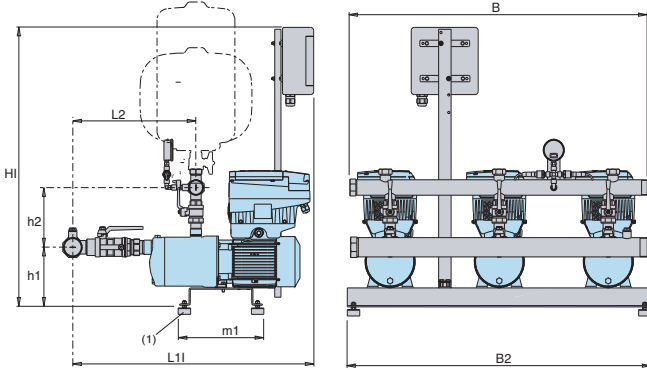
Dimensions not binding to be verified when ordering



## Dimensions and weights

### BS.. 3MXH 2,4,8

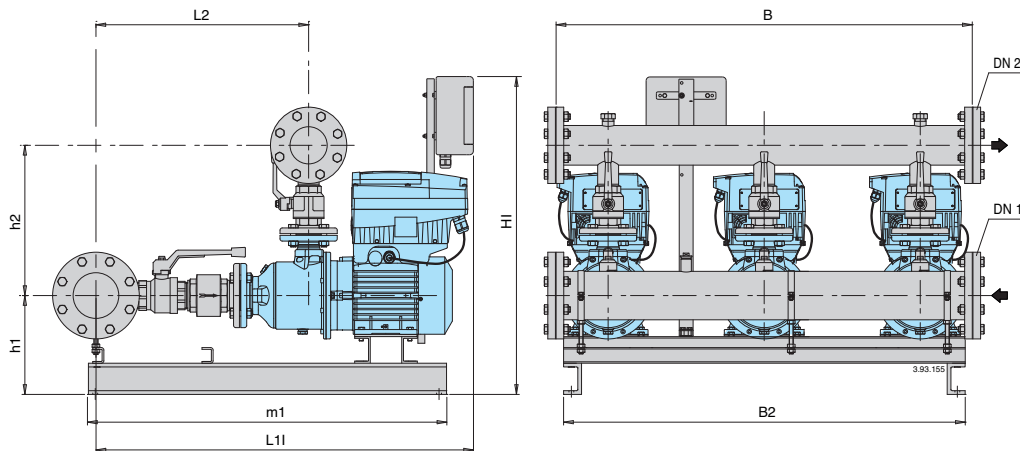
### BS.. 3MXH 16



TYPE	Motor			Connection		mm									weight kg
	kW	HP	A	DN 1	DN 2	HI	h1	h2	L11	L2	m1	B2	B		
BS3V 3MXH 204/A-ITT	0,55 x3	0,75 x3	1,6 x3	G 2 1/2	G 2	913	178	193	857	356					
BS3V 3MXH 205/B-ITT	0,75 x3	1 x3	2 x3	G 2 1/2	G 2	913	178	193	881	380					
BS3V 3MXH 206/C-ITT	1,1 x3	1,5 x3	2,7 x3	G 2 1/2	G 2	913	178	193	905	404					
BS3V 3MXH 403/A-ITT	0,55 x3	0,75 x3	1,6 x3	G 2 1/2	G 2	913	178	193	833	332					
BS3V 3MXH 404/B-ITT	0,75 x3	1 x3	2 x3	G 2 1/2	G 2	913	178	193	857	356					
BS3V 3MXH 405/C-ITT	1,1 x3	1,5 x3	2,7 x3	G 2 1/2	G 2	913	178	193	881	390	423	1000	950		
BS3V 3MXH 406/A-ITT	1,5 x3	2 x3	3,6 x3	G 2 1/2	G 2	913	178	193	905	404					
BS3V 3MXH 803/A-ITT	1,1 x3	1,5 x3	2,7 x3	G 3	G 2 1/2	913	178	193	905	404					
BS3V 3MXH 804/A-ITT	1,5 x3	2 x3	3,6 x3	G 3	G 2 1/2	913	178	193	933	432					
BS3V 3MXH 805/B-ITT	1,8 x3	2,5 x3	4,3 x3	G 3	G 2 1/2	913	178	193	950	449					
BS3V 3MXH 1603/B-ITT	1,8 x3	2,5 x3	4,3 x3	DN 100	DN 80	980	258	321	1100	500					
BS3V 3MXH 1604/A-ITT	3 x3	4 x3	6,6 x3	DN 100	DN 80	980	273	321	1135	538					
BS3V 3MXH 1605/B-ITT	3,7 x3	5 x3	9,6 x3	DN 100	DN 80	980	273	321	1171	575					
BS3V 3MXH 1606/B-ITT	4 x3	5,5 x3	9,6 x3	DN 100	DN 80	980	273	321	1231	613					
BS3V 3MXH 2002/A-ITT	1,8 x3	2,5 x3	5,3 x3	DN 100	DN 80	980	290	391	1170	499	1090	1000	950		
BS3V 3MXH 2003-ITT	3 x3	4 x3	6,6 x3	DN 100	DN 80	980	290	391	1170	518					
BS3V 3MXH 2004/A-ITT	4 x3	5,5 x3	9,6 x3	DN 100	DN 80	980	290	391	1230	553					
BS3V 3MXH 2005-ITT	5,5 x3	7,5 x3	10,9 x3	DN 100	DN 80	980	252	391	1245	587					

Dimensions not binding to be verified when ordering

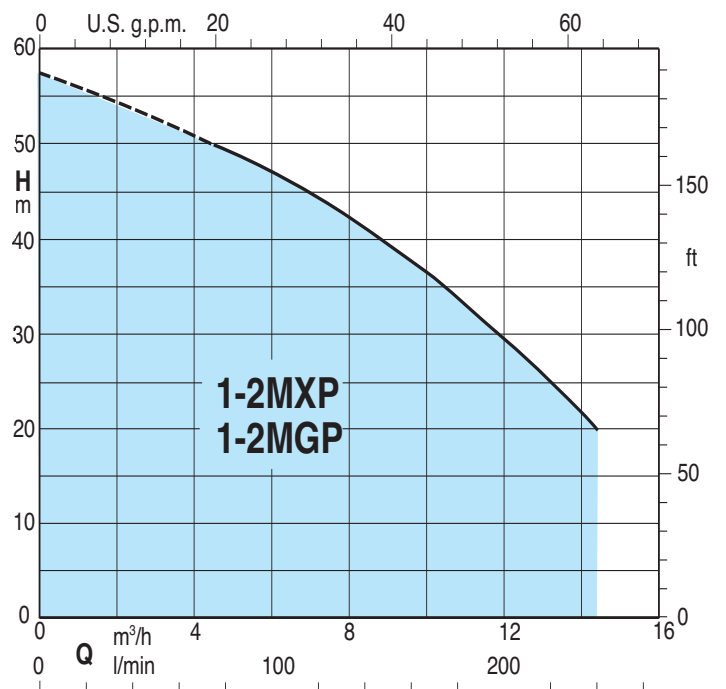
(1) Anti-vibration pads kit supplied loose as standard



TYPE	Motor			Connection		mm									weight kg
	kW	HP	A	DN 1	DN 2	HI	h1	h2	L11	L2	m1	B2	B		
BS3V 3MXH-F 3202/B-ITT	4 x3	5,5 x3	9,6 x3	125	100	1246	318	415	1180	571	1065				
BS3V 3MXH-F 3203/A-ITT	5,5 x3	7,5 x3	10,9 x3	125	100	1246	318	415	1096	617	1060				
BS3V 3MXH-F 3204/A-ITT	7,5 x3	10 x3	14,3 x3	125	100	1246	318	415	1320	663	1110	1150	1200		
BS3V 3MXH-F 4802/A-ITT	5,5 x3	7,5 x3	10,9 x3	150	125	1246	316	480	1320	668	1065				
BS3V 3MXH-F 4803/A-ITT	7,5 x3	10 x3	14,3 x3	150	125	1246	316	480	1381	750	1110				

Dimensions not binding to be verified when ordering

## Coverage chart



## Operation

**BS 2F** **Pressure boosting sets with 2 fixed speed pump.**  
Depending on the reduction of the pressure in the system, the pressure switches determine the starting up of the pumps in sequence and the microprocessor alternates the starts.

**BS1-3V** **Pressure boosting sets with 1 to 3 variable speed pumps (with EASYMAT).**  
Depending on water consumption, one or more pumps are activated, all at variable speed, in order to guarantee the quantity of water required at the set pressure.

**BS1V1F** **Pressure boosting sets with 1 variable speed pump (with frequency converter into the control panel) and from 1 fixed speed pump**  
According to the water consumption, one or more pumps start, one at variable speed and the others at fixed speed, to grant the water quantity required at the set pressure.

**BS2V** **Pressure boosting sets with two variable speed pumps (with frequency converter into the control panel).**  
Depending on water consumption, one or more pumps are activated, all at variable speed, in order to guarantee the quantity of water required at the set pressure.

## Construction

- Automatic pressure boosting plant consisting of 1 to 3 horizontal multi-stage pumps complete with ball, non return valve on the suction side and ball valves on the delivery side.

**Suction and delivery manifolds for boosting sets with 2,3 pumps:**  
- stainless steel AISI 304.  
Connections are located on the delivery manifold for the installation of vessels G1 connection.

### Electrical control boards:

- with microprocessor for fixed speed pump units. Motor starting is D.O.L.  
- with frequency converter for variable speed pump units.

The unit includes one pressure gauge and three adjustable differential pressure switches or pressure transducer.

## Applications

To supply water in civil and industrial buildings.  
As pressure boosting pump to increase water pressure when needed (follow local rules).

## Motors

2-pole induction motors, 50 Hz,  $n \approx 2900$  rpm, suitable for operation with frequency converter.

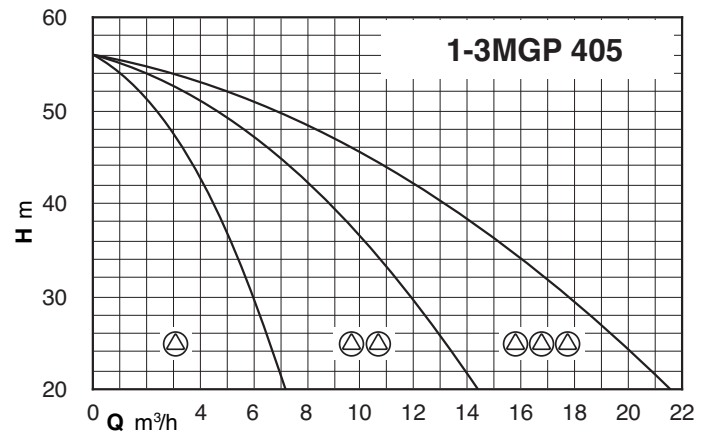
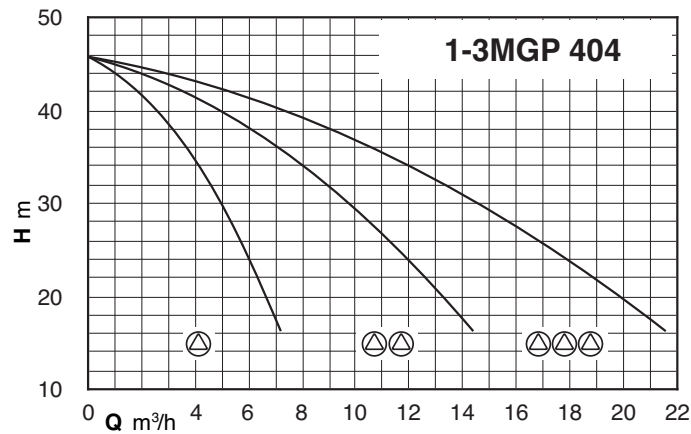
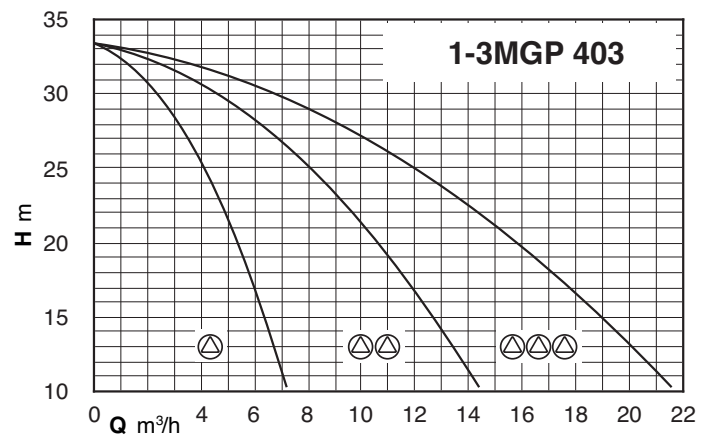
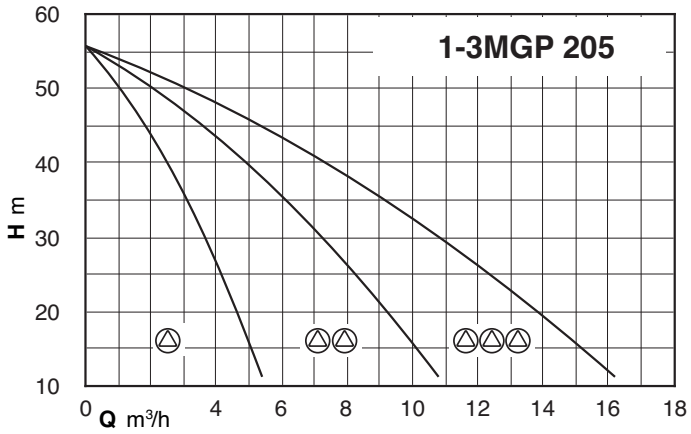
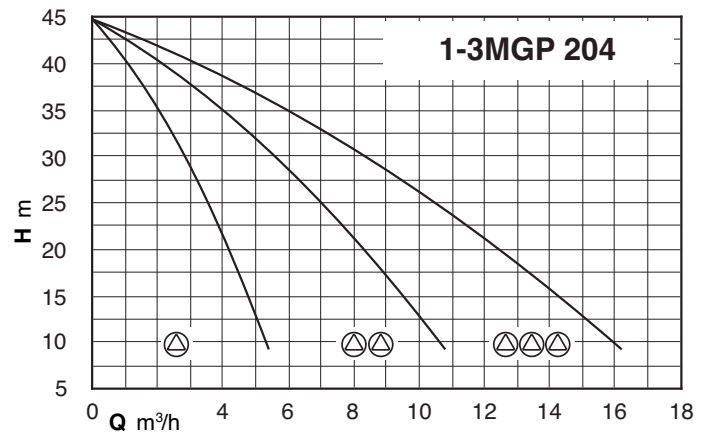
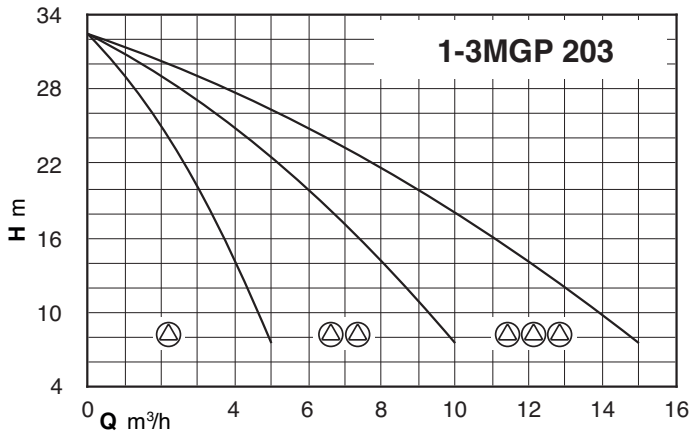
- Three-phase 230/400V  $\pm 10\%$  up to 3 kW;  
400/690V  $\pm 10\%$  for 4 kW to 7,5 kW;

- Single-phase 230 V  $\pm 10\%$ , with thermal protector.  
Insulation class F.  
Protection IP 54.  
Constructed in accordance with: IEC 60034.  
Other voltages and frequencies on request.

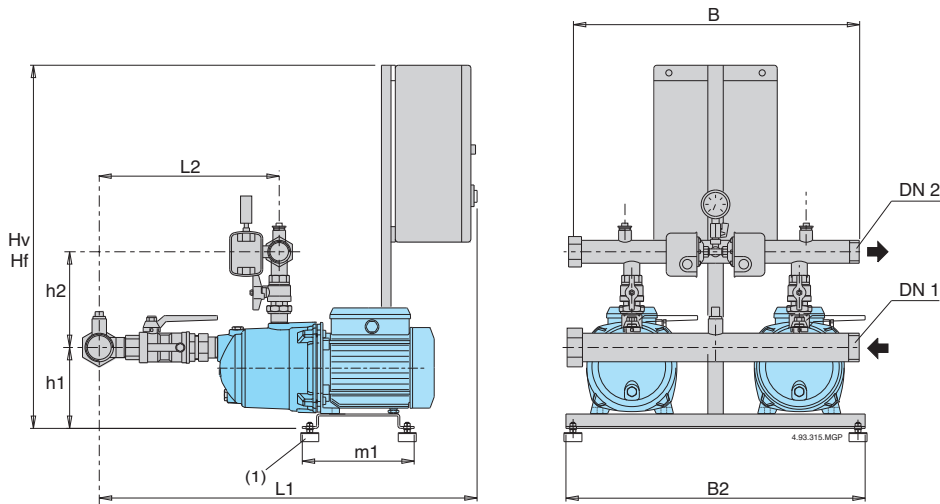
## Vessels on request

When installing the unit, connect in the delivery section to a diaphragm or galvanised tank.  
The recommended sized are shown in the following page.

## Coverage chart



**Characteristic, dimensions and weights**



(1) Anti-vibration pads kit supplied loose as standard

Hf= Fixed speed boosting sets  
Hv= Variable speed boosting sets

**BS2F BSM2F**

Mains: 400V 3~ Motor: 400V 3~	Mains: 230V 1~ Motor: 230V 1~	Motor		Q max* l/min	Pres. switch setting		Connection		mm								Weight kg	Vessel	
		kW	HP		bar	bar	DN1	DN2	H	h1	h2	L1	L2	m1	B2	B		Mem. litre	Vessel litre
BS2F 2MGP 203	BSM2F 2MGPM 203	0,45+0,45	0,6+0,6	155	1,4÷2,6	1,0÷2,2	G 2	G 1 1/2	840	151	206	793	355	235	625	600	41	24x2	100
BS2F 2MGP 204	BSM2F 2MGPM 204	0,55+0,55	0,75+0,75	160	2,0÷3,2	1,5÷2,7	G 2	G 1 1/2	840	151	206	793	355				46	24x2	100
BS2F 2MGP 205/A	BSM2F 2MGPM 205	0,75+0,75	1+1	160	3,0÷4,5	2,5÷4,0	G 2	G 1 1/2	840	151	206	793	355				52	24x2	100
BS2F 2MGP 403	BSM2F 2MGPM 403	0,55+0,55	0,75+0,75	230	1,2÷2,4	0,9÷2,1	G 2	G 1 1/2	840	151	206	793	355				46	24x2	100
BS2F 2MGP 404/A	BSM2F 2MGPM 404	0,75+0,75	1+1	220	2,4÷3,6	2,0÷3,2	G 2	G 1 1/2	840	151	206	793	355				48	80	200
BS2F 2MGP 405	BSM2F 2MGPM 405	1,1+1,1	1,5+1,5	220	3,0÷4,5	2,5÷4,0	G 2	G 1 1/2	840	151	206	793	355				54	80	200

\* Maximum pumps flow at minimum set pressure of 2<sup>nd</sup> pressure switch.

**BS1V1F BSM1V1F**

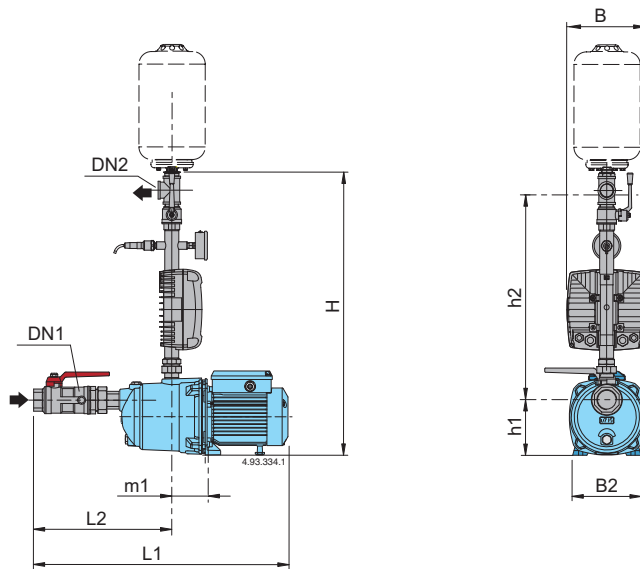
Mains: 400V 3~ Motor: 400V 3~	Mains: 230V 1~ Motor: 230V 3~ and 230V 1~	Motor		Connection		mm								Weight kg	Vessel	
		kW	HP	DN1	DN2	H	h1	h2	L1	L2	m1	B2	B		Membrane litre	Vessel litre
BS1V1F 2MGP 203	BSM1V1F 2MGP 203	0,45+0,45	0,6+0,6	G 2	G 1 1/2	1100	151	206	793	355	235	625	600	41	24x2	
BS1V1F 2MGP 204	BSM1V1F 2MGP 204	0,55+0,55	0,75+0,75	G 2	G 1 1/2	1100	151	206	793	355				46	24x2	
BS1V1F 2MGP 205/A	BSM1V1F 2MGP 205	0,75+0,75	1+1	G 2	G 1 1/2	1100	151	206	793	355				52	24x2	
BS1V1F 2MGP 403	BSM1V1F 2MGP 403	0,55+0,55	0,75+0,75	G 2	G 1 1/2	1100	151	206	793	355				46	24x2	
BS1V1F 2MGP 404/A	BSM1V1F 2MGP 404	0,75+0,75	1+1	G 2	G 1 1/2	1100	151	206	793	355				48	24x2	
BS1V1F 2MGP 405	BSM1V1F 2MGP 405	1,1+1,1	1,5+1,5	G 2	G 1 1/2	1100	151	206	793	355				54	24x2	

**BS2V BSM2V**

Mains: 400V 3~ Motor: 400V 3~	Mains: 230V 1~ Motor: 230V 3~	Motor		Connection		mm								Weight kg	Vessel	
		kW	HP	DN1	DN2	H	h1	h2	L1	L2	m1	B2	B		Membrane litre	Vessel litre
BS2V 2MGP 203	BSM2V 2MGP 203	0,45+0,45	0,6+0,6	G 2	G 1 1/2	1100	151	206	793	355	235	625	600	41	24x2	
BS2V 2MGP 204	BSM2V 2MGP 204	0,55+0,55	0,75+0,75	G 2	G 1 1/2	1100	151	206	793	355				46	24x2	
BS2V 2MGP 205/A	BSM2V 2MGP 205	0,75+0,75	1+1	G 2	G 1 1/2	1100	151	206	793	355				52	24x2	
BS2V 2MGP 403	BSM2V 2MGP 403	0,55+0,55	0,75+0,75	G 2	G 1 1/2	1100	151	206	793	355				46	24x2	
BS2V 2MGP 404/A	BSM2V 2MGP 404	0,75+0,75	1+1	G 2	G 1 1/2	1100	151	206	793	355				48	24x2	
BS2V 2MGP 405	BSM2V 2MGP 405	1,1+1,1	1,5+1,5	G 2	G 1 1/2	1100	151	206	793	355				54	24x2	

Dimensions not binding to be verified when ordering

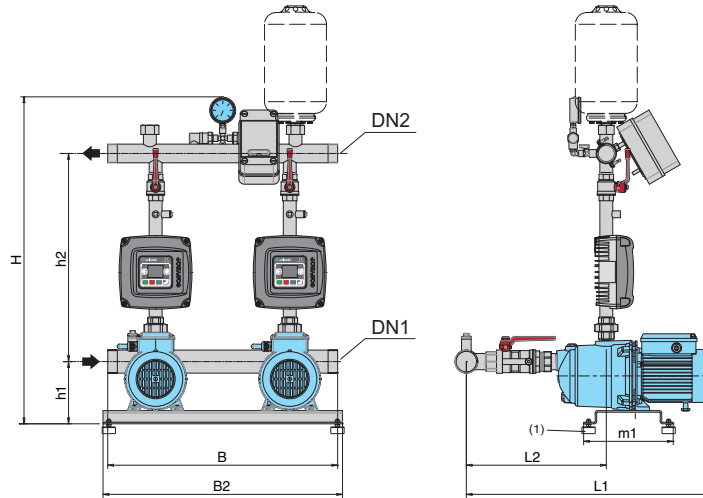
## Characteristic, dimensions and weights



Mains: 1~ 230V Motor: 3~ 230V	mains A	motor A	Mains: 1~ 230V Motor: 1~ 230V	A	P <sub>2</sub>		Connection		mm							
					kW	HP	DN1	DN2	H	h1	h2	L1	L2	m1	B	B2
BSM1V 1MGP 203-EMT	3,2	2,4	BSM1V 1MGPM 203-EMM	3	0,37	0,5	G 1	G 1	691	116	535	516	269	95	200	146
BSM1V 1MGP 204-EMT	4	2,8	BSM1V 1MGPM 204-EMM	3,3	0,55	0,75						516				
BSM1V 1MGP 205/A-EMT	5	3,5	BSM1V 1MGPM 205-EMM	5,4	0,75	1						545				
BSM1V 1MGP 403/A-EMT	4,3	3	BSM1V 1MGPM 403-EMM	3,5	0,55	0,75	G 1	G 1	691	116	535	516	269	95	200	146
BSM1V 1MGP 404/A-EMT	5	3,5	BSM1V 1MGPM 404-EMM	5,4	0,75	1						545				
BSM1V 1MGP 405-EMT	6,4	4,5	BSM1V 1MGPM 405-EMM	7	1,1	1,5						575				

Dimensions not binding to be verified when ordering

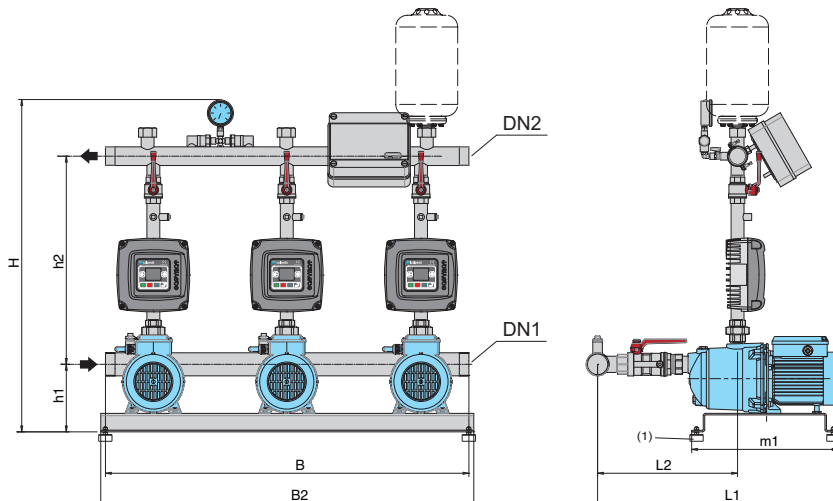
## Characteristic and dimensions



Mains: 1~ 230V Motor: 3~ 230V	mains A	motor A	P <sub>2</sub>		Connection		mm									
			kW	HP	DN1	DN2	H	h1	h2	L1	L2	m1	B	B2		
BSM2V 2MGP 203-EMT	2 x 3,2	2 x 2,4	2 x 0,37	2 x 0,5												
BSM2V 2MGP 204-EMT	2 x 4	2 x 2,8	2 x 0,55	2 x 0,75	G 2	G 1 1/2	783	151	480	566	319	240	600	625		
BSM2V 2MGP 205/A-EMT	2 x 5	2 x 3,5	2 x 0,75	2 x 1						595						
BSM2V 2MGP 403/A-EMT	2 x 4,3	2 x 3	2 x 0,55	2 x 0,75						566						
BSM2V 2MGP 404/A-EMT	2 x 5	2 x 3,5	2 x 0,75	2 x 1	G 2	G 1 1/2	783	151	480	595	319	240	600	625		
BSM2V 2MGP 405-EMT	2 x 6,4	2 x 4,5	2 x 1,1	2 x 1,5						625						

Dimensions not binding to be verified when ordering

(1) Anti-vibration pads kit supplied loose as standard

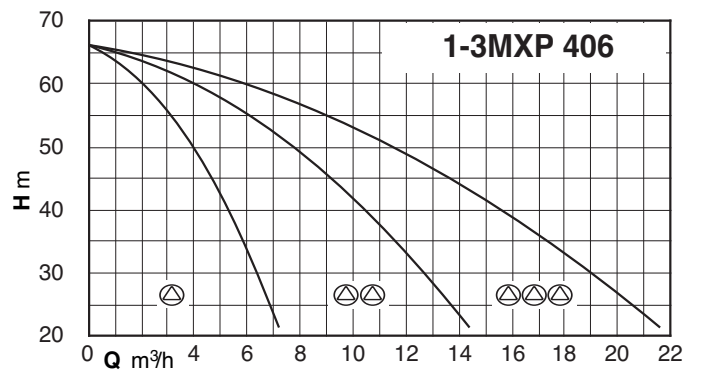
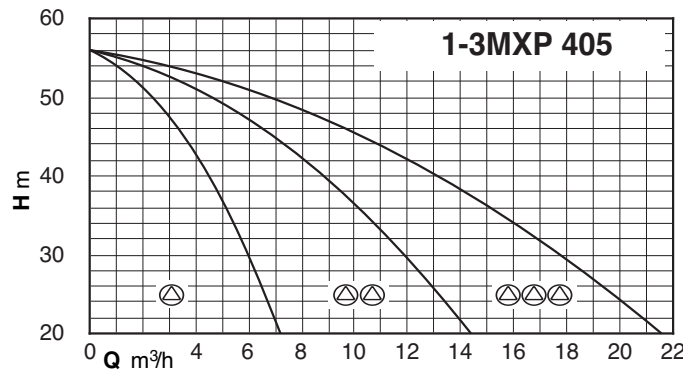
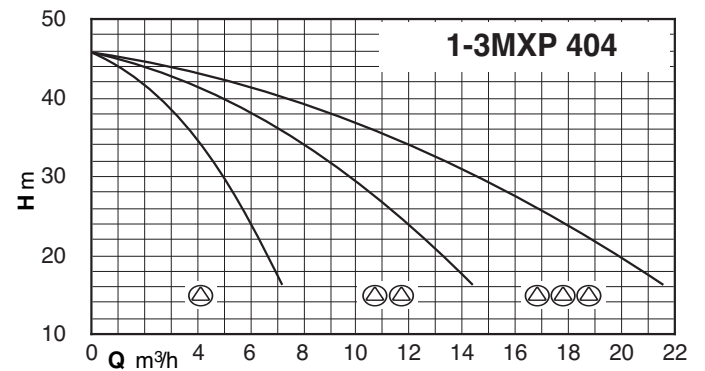
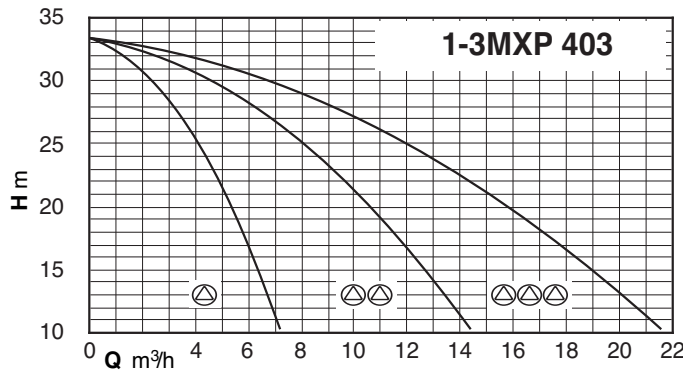
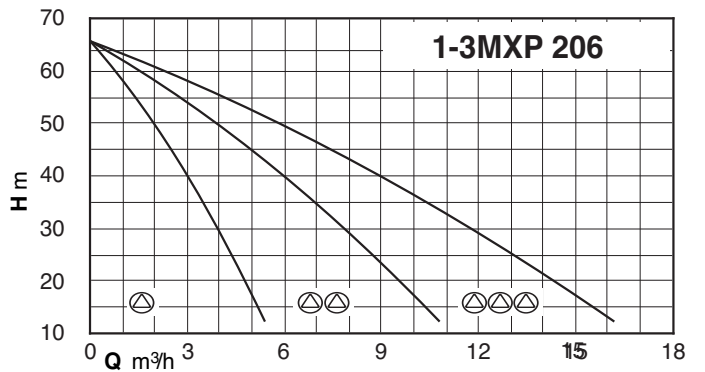
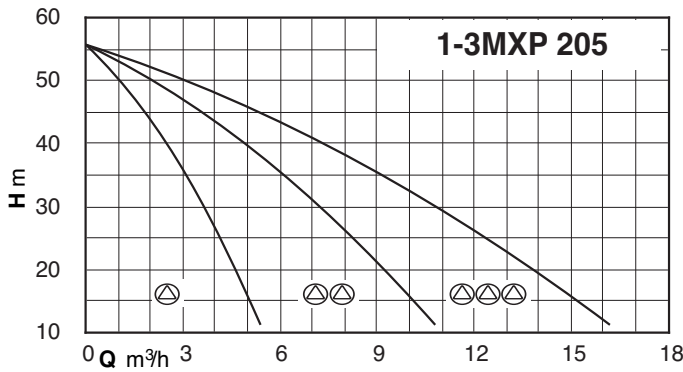
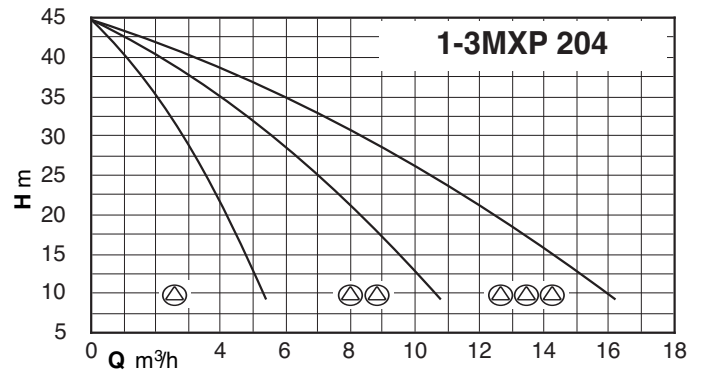
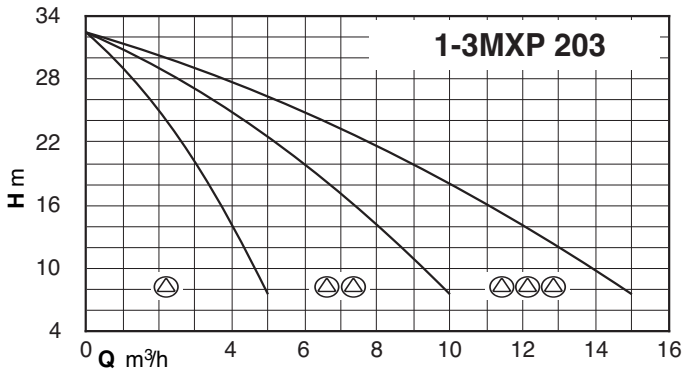


Mains: 1~ 230V Motor: 3~ 230V	mains A	motor A	P <sub>2</sub>		Connection		mm									
			kW	HP	DN1	DN2	H	h1	h2	L1	L2	m1	B	B2		
BSM3V 3MGP 203-EMT	3 x 3,2	3 x 2,4	3 x 0,37	3 x 0,5												
BSM3V 3MGP 204-EMT	3 x 4	3 x 2,8	3 x 0,55	3 x 0,75	G 2 1/2	G 2	805	167	486	573	326	305	950	1000		
BSM3V 3MGP 205/A-EMT	3 x 5	3 x 3,5	3 x 0,75	3 x 1						602						
BSM3V 3MGP 403/A-EMT	3 x 4,3	3 x 3	3 x 0,55	3 x 0,75						573						
BSM3V 3MGP 404/A-EMT	3 x 5	3 x 3,5	3 x 0,75	3 x 1	G 2 1/2	G 2	805	167	486	602	326	305	950	1000		
BSM3V 3MGP 405-EMT	3 x 6,4	3 x 4,5	3 x 1,1	3 x 1,5						632						

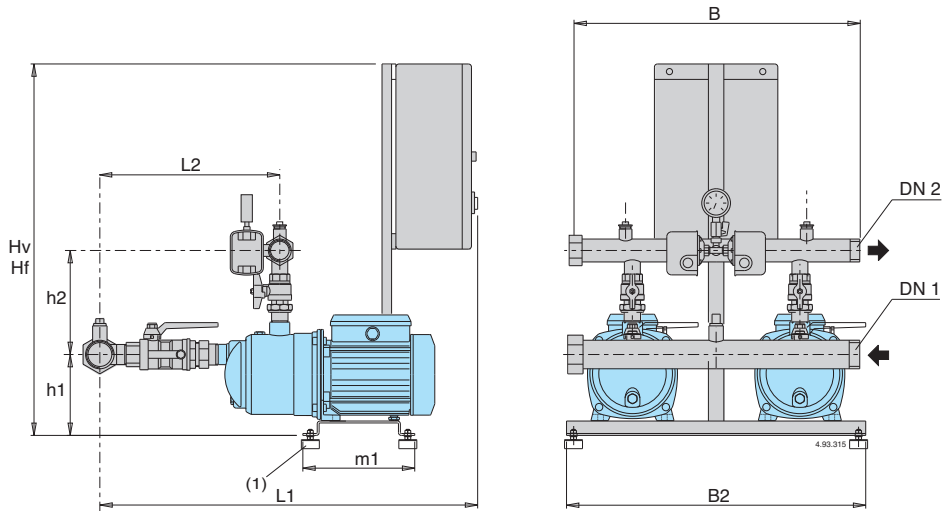
Dimensions not binding to be verified when ordering

(1) Anti-vibration pads kit supplied loose as standard

**Coverage chart**



**Characteristic, dimensions and weights**



(1) Anti-vibration pads kit supplied loose as standard

Hf= Fixed speed boosting sets  
Hv= Variable speed boosting sets

**BS2F BSM2F**

Mains: 400V 3~ Motor: 400V 3~	Mains: 230V 1~ Motor: 230V 1~	Motor		Q <sub>max</sub> * l/min	Pres. switch setting		Connection		mm								kg	Vessel	
		kW	HP		bar	bar	DN1	DN2	Hf	h1	h2	L1	L2	m1	B2	B		Mem. litre	Vessel litre
BS2F 2MXP 203	BSM2F 2MXPM 203	0,45+0,45	0,6+0,6	155	1,4±2,6	1,0±2,2	G 2	G 1/2	857	151	191	729	319				41	24x2	100
BS2F 2MXP 204/A	BSM2F 2MXPM 204/A	0,55+0,55	0,75+0,75	160	2,0±3,2	1,5±2,7	G 2	G 1/2	857	151	191	729	319				46	24x2	100
BS2F 2MXP 205/A	BSM2F 2MXPM 205	0,75+0,75	1+1	160	3,0±4,5	2,5±4,0	G 2	G 1/2	857	151	191	729	319				48	24x2	100
BS2F 2MXP 206	BSM2F 2MXPM 206	0,75+0,75	1+1	160	3,7±5,3	3,4±5	G 2	G 1/2	857	187	198	779	369	240	625	600		24x2	100
BS2F 2MXP 403/A	BSM2F 2MXPM 403/A	0,55+0,55	0,75+0,75	230	1,5±2,7	1,2±2,4	G 2	G 1/2	857	151	191	729	319				46	24x2	100
BS2F 2MXP 404/B	BSM2F 2MXPM 404/A	0,75+0,75	1+1	220	2,4±3,6	2,0±3,2	G 2	G 1/2	857	151	191	729	319				48	80	200
BS2F 2MXP 405	BSM2F 2MXPM 405	1,1+1,1	1,5+1,5	220	3,0±4,5	3,5±4,0	G 2	G 1/2	857	151	191	729	319				54	80	200
BS2F 2MXP 406	BSM2F 2MXPM 406	1,1+1,1	1,5+1,5	220	3,8±5,4	3,5±5,1	G 2	G 1/2	857	187	198	779	369				80	200	200

\* Maximum pumps flow at minimum set pressure of 2<sup>nd</sup> pressure switch.

**BS1V1F BSM1V1F**

Mains: 400V 3~ Motor: 400V 3~	Mains: 230V 1~ Motor: 230V 3~ and 230V 1~	Motor		Connection		mm								Weight kg	Vessel Membrane litre		
		kW	HP	DN1	DN2	Hf	h1	h2	L1	L2	m1	B2	B				
BS1V1F 2MXP 203	BSM1V1F 2MXP 203	0,45+0,45	0,6+0,6	G 2	G 1/2	1349	257	206	814	319						41	24x2
BS1V1F 2MXP 204/A	BSM1V1F 2MXP 204/A	0,55+0,55	0,75+0,75	G 2	G 1/2	1349	257	206	814	319						46	24x2
BS1V1F 2MXP 205/A	BSM1V1F 2MXP 205	0,75+0,75	1+1	G 2	G 1/2	1349	257	206	814	319						48	24x2
BS1V1F 2MXP 206	BSM1V1F 2MXP 206	0,75+0,75	1+1	G 2	G 1/2	1349	293	213	864	369							24x2
BS1V1F 2MXP 403/A	BSM1V1F 2MXP 403/A	0,55+0,55	0,75+0,75	G 2	G 1/2	1349	257	206	814	319	476	625	600			46	24x2
BS1V1F 2MXP 404/B	BSM1V1F 2MXP 404/A	0,75+0,75	1+1	G 2	G 1/2	1349	257	206	814	319						48	80
BS1V1F 2MXP 405	BSM1V1F 2MXP 405	1,1+1,1	1,5+1,5	G 2	G 1/2	1349	257	206	814	319						54	80
BS1V1F 2MXP 406	BSM1V1F 2MXP 406	1,1+1,1	1,5+1,5	G 2	G 1/2	1349	293	213	864	369						80	80

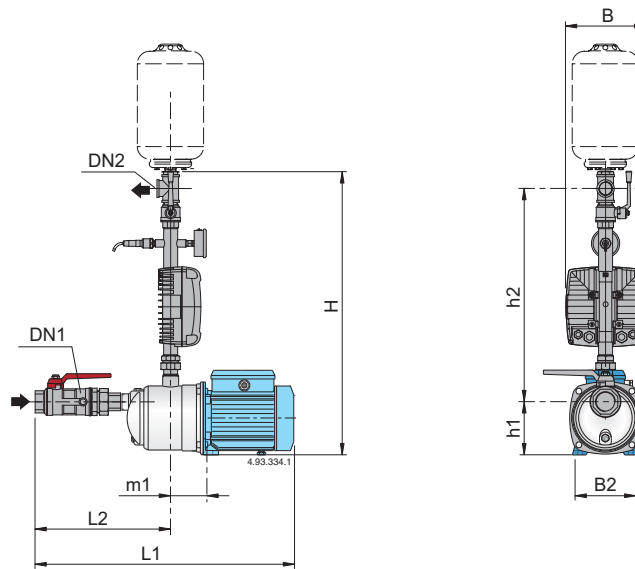
**BS2V BSM2V**

Mains: 400V 3~ Motor: 400V 3~	Mains: 230V 1~ Motor: 230V 3~	Motor		Connection		mm								Weight kg	Vessel Membrane litre		
		kW	HP	DN1	DN2	Hf	h1	h2	L1	L2	m1	B2	B				
BS2V 2MXP 203	BSM2V 2MXP 203	0,45+0,45	0,6+0,6	G 2	G 1/2	1349	257	206	814	319						41	24x2
BS2V 2MXP 204/A	BSM2V 2MXP 204/A	0,55+0,55	0,75+0,75	G 2	G 1/2	1349	257	206	814	319						46	24x2
BS2V 2MXP 205/A	BSM2V 2MXP 205	0,75+0,75	1+1	G 2	G 1/2	1349	257	206	814	319						48	24x2
BS2V 2MXP 206	BSM2V 2MXP 206	0,75+0,75	1+1	G 2	G 1/2	1349	293	213	864	369							24x2
BS2V 2MXP 403/A	BSM2V 2MXP 403/A	0,55+0,55	0,75+0,75	G 2	G 1/2	1349	257	206	814	319	476	625	600			46	24x2
BS2V 2MXP 404/B	BSM2V 2MXP 404/A	0,75+0,75	1+1	G 2	G 1/2	1349	257	206	814	319						48	80
BS2V 2MXP 405	BSM2V 2MXP 405	1,1+1,1	1,5+1,5	G 2	G 1/2	1349	257	206	814	319						54	80
BS2V 2MXP 406	BSM2V 2MXP 406	1,1+1,1	1,5+1,5	G 2	G 1/2	1349	293	213	814	369						80	80

Dimensions not binding to be verified when ordering



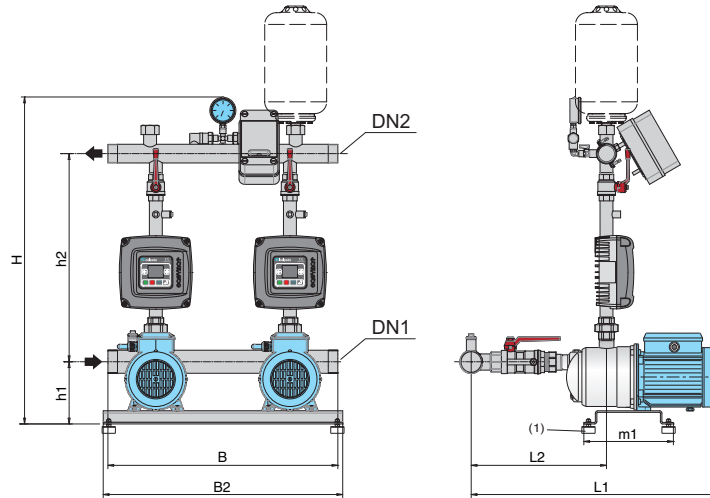
## Characteristic, dimensions and weights



Mains: 1~ 230V Motor: 3~ 230V	mains A	motor A	Mains: 1~ 230V Motor: 1~ 230V	A	P <sub>2</sub>		Connection		mm							
					kW	HP	DN1	DN2	H	h1	h2	L1	L2	m1	B	B2
BSM1V 1MXP 203-EMT	3,2	2,4	BSM1V 1MXPM 203-EMM	3	0,37	0,5	G 1	G 1	701	116	545	516	269	95	200	146
BSM1V 1MXP 204/A-EMT	4	2,8	BSM1V 1MXPM 204/A-EMM	3,3	0,55	0,75						545				
BSM1V 1MXP 205/A-EMT	5	3,5	BSM1V 1MXPM 205-EMM	5,4	0,75	1	G 1 1/4	G 1	744	152	552	545	324	113	214	185
BSM1V 1MXP 206-EMT	5	3,5	BSM1V 1MXPM 206-EMM	5,4	0,75	1						646				
BSM1V 1MXP 403/A-EMT	4,3	3	BSM1V 1MXPM 403/A-EMM	3,5	0,55	0,75	G 1	G 1	701	116	545	545	269	95	200	146
BSM1V 1MXP 404/B-EMT	5	3,5	BSM1V 1MXPM 404/A-EMM	5,4	0,75	1						545				
BSM1V 1MXP 405-EMT	6,4	4,5	BSM1V 1MXPM 405-EMM	7	1,1	1,5	G 1 1/4	G 1	744	152	552	575	324	113	214	185
BSM1V 1MXP 406-EMT	10,8	7,5	BSM1V 1MXPM 406-EMM	9,2	1,5	2						673				

Dimensions not binding to be verified when ordering

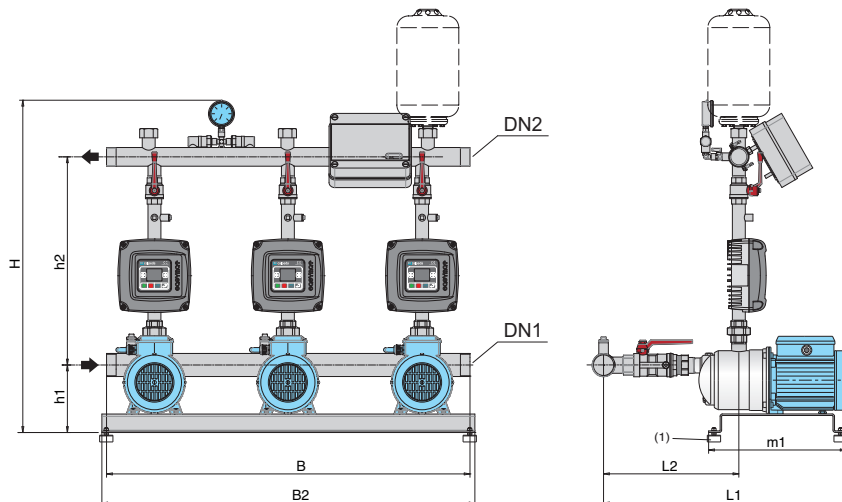
## Characteristic and dimensions



Mains: 1~ 230V Motor: 3~ 230V	mains A	motor A	P <sub>2</sub>		Connection		mm							
			kW	HP	DN1	DN2	H	h1	h2	L1	L2	m1	B	B2
BSM2V 2MXP 203-EMT	2 x 3,2	2 x 2,4	2 x 0,37	2 x 0,5	G 2	G 1 1/2	793	151	490	566	319	240	600	625
BSM2V 2MXP 204/A-EMT	2 x 4	2 x 2,8	2 x 0,55	2 x 0,75			595	595						
BSM2V 2MXP 205/A-EMT	2 x 5	2 x 3,5	2 x 0,75	2 x 1			836	187	497	691	369			
BSM2V 2MXP 206-EMT	2 x 5	2 x 3,5	2 x 0,75	2 x 1	G 2	G 1 1/2	793	151	490	595	319	240	600	625
BSM2V 2MXP 403/A-EMT	2 x 4,3	2 x 3	2 x 0,55	2 x 0,75						595				
BSM2V 2MXP 404/B-EMT	2 x 5	2 x 3,5	2 x 0,75	2 x 1						625				
BSM2V 2MXP 405-EMT	2 x 6,4	2 x 4,5	2 x 1,1	2 x 1,5						836	187	497	718	369
BSM2V 2MXP 406-EMT	2 x 10,8	2 x 7,5	2 x 1,5	2 x 2										

Dimensions not binding to be verified when ordering

(1) Anti-vibration pads kit supplied loose as standard



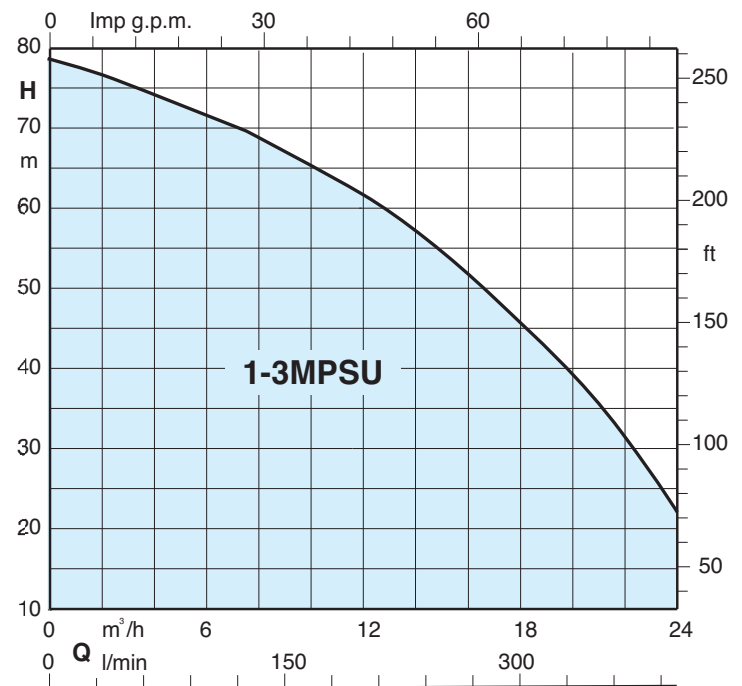
Mains: 1~ 230V Motor: 3~ 230V	mains A	motor A	P <sub>2</sub>		Connection		mm							
			kW	HP	DN1	DN2	H	h1	h2	L1	L2	m1	B	B2
BSM3V 3MXP 203-EMT	3 x 3,2	3 x 2,4	3 x 0,37	3 x 0,5	G 2 1/2	G 2	815	167	496	573	326	305	950	1000
BSM3V 3MXP 204/A-EMT	3 x 4	3 x 2,8	3 x 0,55	3 x 0,75			602	602						
BSM3V 3MXP 205/A-EMT	3 x 5	3 x 3,5	3 x 0,75	3 x 1			858	203	503	699	377			
BSM3V 3MXP 206-EMT	3 x 5	3 x 3,5	3 x 0,75	3 x 1	G 2 1/2	G 2	815	167	496	602	326	305	950	1000
BSM3V 3MXP 403/A-EMT	3 x 4,3	3 x 3	3 x 0,55	3 x 0,75						602				
BSM3V 3MXP 404/B-EMT	3 x 5	3 x 3,5	3 x 0,75	3 x 1						632				
BSM3V 3MXP 405-EMT	3 x 6,4	3 x 4,5	3 x 1,1	3 x 1,5						858	203	503	726	377
BSM3V 3MXP 406-EMT	3 x 10,8	3 x 7,5	3 x 1,5	3 x 2										

Dimensions not binding to be verified when ordering

(1) Anti-vibration pads kit supplied loose as standard



## Coverage chart



## Operation

### BS 1-6F Pressure boosting sets with 1 to 6 fixed speed pump.

#### Sets with 4,5 and 6 pumps on request.

Depending on the reduction of the pressure in the system, the pressure switches (pressure transducer for 3-pump sets) determine the starting up of the pumps in sequence and the microprocessor alternates the starts.

### BS1-3V Pressure boosting sets with 1 to 3 variable speed pumps (with EASYMAT).

Depending on water consumption, one or more pumps are activated, all at variable speed, in order to guarantee the quantity of water required at the set pressure.

### BS1V2-5F Pressure boosting sets with 1 variable speed pump (with frequency converter into the control panel) and from 1 to 5 fixed speed pumps

#### Sets with 4,5 and 6 pumps on request.

According to the water consumption, one or more pumps start, one at variable speed and the others at fixed speed, to grant the water quantity required at the set pressure.

### BS1-6V Pressure boosting sets with 1 to 6 variable speed pumps (with frequency converter into the control panel).

#### Sets with 4,5 and 6 pumps on request.

Depending on water consumption, one or more pumps are activated, all at variable speed, in order to guarantee the quantity of water required at the set pressure.

## Construction

- Automatic pressure boosting plant consisting of 1 to 6 vertical multi-stage close coupled pumps complete with ball, non return valve on the suction side and ball valves on the delivery side.

### Suction and delivery manifolds for boosting sets with 2,3 pumps:

- stainless steel AISI 304.

Connections are located on the delivery manifold for the installation of vessels G1 connection.

### Electrical control boards:

- with microprocessor for fixed speed pump units.

- with frequency converter for variable speed pump units.

The unit includes one pressure gauge and three adjustable differential pressure switches or pressure transducer.

## Applications

To supply water in civil and industrial buildings.

As pressure boosting pump to increase water pressure when needed (follow local rules).

## Motors

2-pole induction motors, 50 Hz,  $n \approx 2900$  rpm, suitable for operation with frequency converter.

- Three-phase 230V - 400V  $\pm 10\%$ ;

- Single-phase 230 V  $\pm 10\%$ .

Insulation class F.

Protection IP 68.

Constructed in accordance with: IEC 60034.

Other voltages and frequencies on request.

## Vessels on request

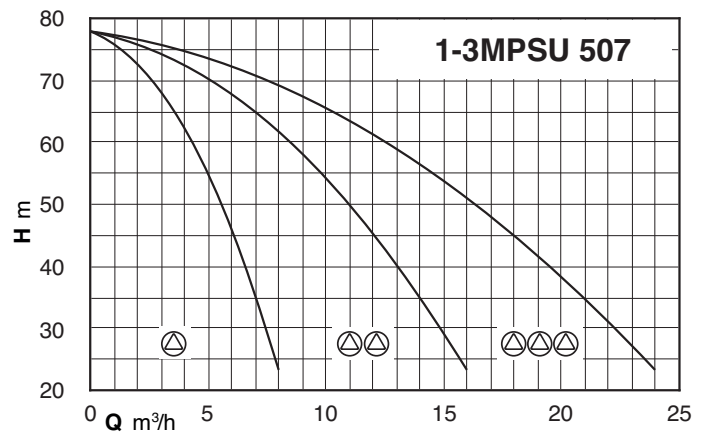
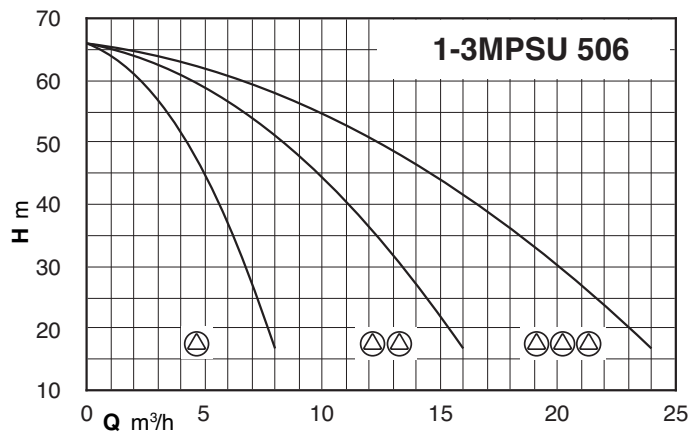
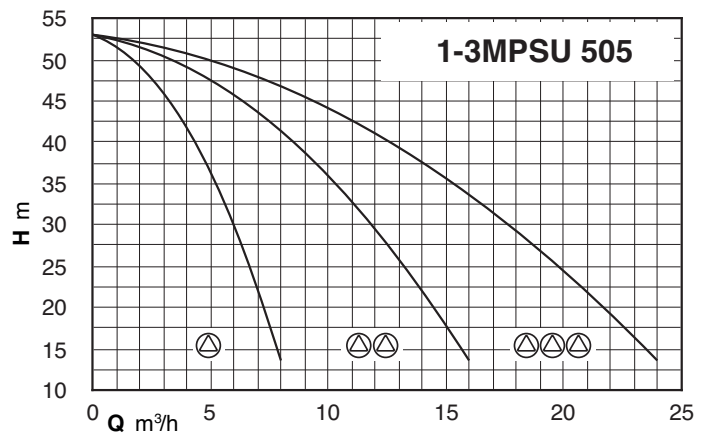
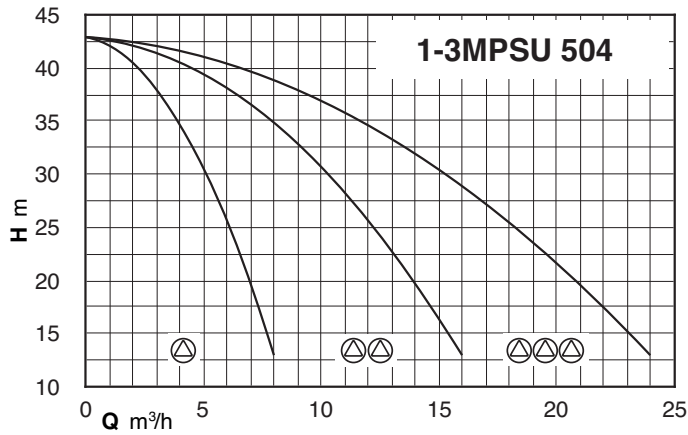
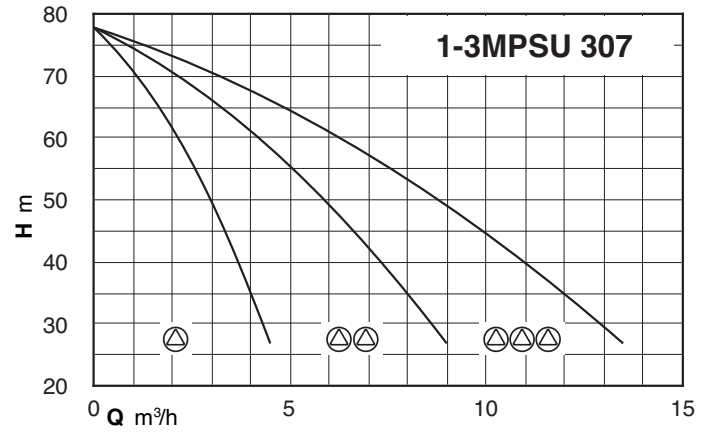
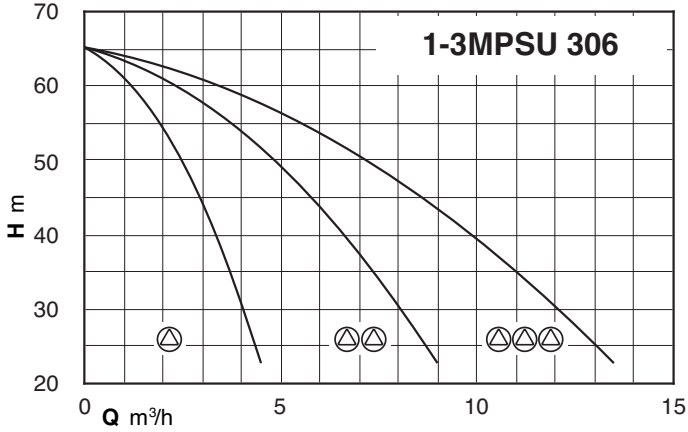
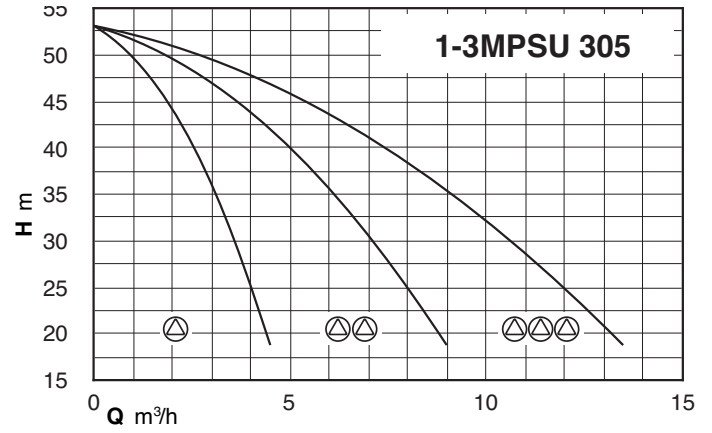
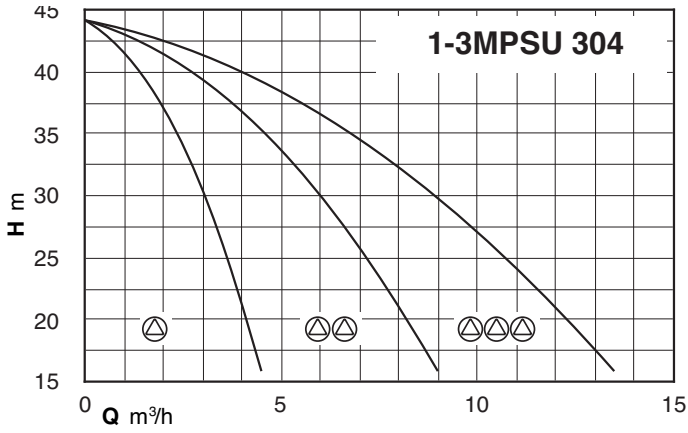
When installing the unit, connect in the delivery section to a diaphragm or galvanised tank.

The recommended sized are shown in the following page.

## Special features on request

Pressure boosting sets with 4,5 and 6 pumps.

## Coverage chart



## Performance

### BS1F

### BSM1F

Mains: 400V 3~ Motor: 400V 3~	Mains: 230V 1~ Motor: 230V 1~	Motor		Pres. switch 1 bar		Vessel Membrane litre	Vessel litre
		kW	HP	min	max		
BS1F 1MPSU 304	BSM1F 1MPSUM 304	0,55	0,75	2,3	3,8	40	100
BS1F 1MPSU 305	BSM1F 1MPSUM 305	0,75	1	3	4,5	40	100
BS1F 1MPSU 306	BSM1F 1MPSUM 306	0,9	1,2	3,8	5,8	50	100
BS1F 1MPSU 307	BSM1F 1MPSUM 307	0,9	1,2	4,7	6,4	50	100
BS1F 1MPSU 504	BSM1F 1MPSUM 504	0,9	1,2	2,1	3,6	60	100
BS1F 1MPSU 505	BSM1F 1MPSUM 505	1,1	1,5	3	4,5	80	200
BS1F 1MPSU 506	BSM1F 1MPSUM 506	1,1	1,5	4,3	6	150	200
BS1F 1MPSU 507	BSM1F 1MPSUM 507	1,5	2	5,3	7,1	150	200

### BS2F

### BSM2F

Mains: 400V 3~ Motor: 400V 3~	Alimentazione 230V 1~ Motore 230V 1~	Motor		Pres. switch 1 bar		Pres. switch 2 bar		Vessel Membrane litre	Vessel litre
		kW	HP	min	max	min	max		
BS2F 2MPSU 304	BSM2F 2MPSUM 304	0,55 x2	0,75 x2	2,3	3,8	1,8	3,3	40	100
BS2F 2MPSU 305	BSM2F 2MPSUM 305	0,75 x2	1 x2	3	4,5	2,5	4	40	100
BS2F 2MPSU 306	BSM2F 2MPSUM 306	0,9 x2	1,2 x2	3,8	5,8	3,5	5,5	50	100
BS2F 2MPSU 307	BSM2F 2MPSUM 307	0,9 x2	1,2 x2	4,7	6,4	4,4	6,1	50	100
BS2F 2MPSU 504	BSM2F 2MPSUM 504	0,9 x2	1,2 x2	2,1	3,6	1,7	3,2	60	100
BS2F 2MPSU 505	BSM2F 2MPSUM 505	1,1 x2	1,5 x2	3	4,5	2,5	4	80	200
BS2F 2MPSU 506	BSM2F 2MPSUM 506	1,1 x2	1,5 x2	4,3	6	4,1	5,7	150	200
BS2F 2MPSU 507	BSM2F 2MPSUM 507	1,5 x2	2 x2	5,3	7,1	5	6,8	150	200

### BS3F

Mains: 400V 3~ Motor: 400V 3~	Motor		Pressure transducer bar		Vessel Membrane litre	Vessel litre
	kW	HP	min	max		
BS3F 3MPSU 304	0,55 x3	0,75 x3	1,8	2,6	24x2	100
BS3F 3MPSU 305	0,75 x3	1 x3	2,3	3,1	24x2	100
BS3F 3MPSU 306	0,9 x3	1,2 x3	3	3,9	24x2	100
BS3F 3MPSU 307	0,9 x3	1,2 x3	2,9	4,4	24x2	100
BS3F 3MPSU 504	0,9 x3	1,2 x3	2,7	3,5	150	200
BS3F 3MPSU 505	1,1 x3	1,5 x3	3,4	4,3	150	200
BS3F 3MPSU 506	1,1 x3	1,5 x3	3,6	5,2	150	200
BS3F 3MPSU 507	1,5 x3	2 x3	4,6	6,3	150	200

### BS..

PUMPS Nos						PUMP TYPE	P <sub>2</sub> For each pump	
1	2	3	4	5	6		kW	HP
BS1V	BS2V BS1V1F BSM1V1F* BSM2V**	BS3V BS1V2F	BS4V BS1V3F	BS5V BS1V4F	BS6V BS1V5F	MPSU 304	0,55	0,75
						MPSU 305	0,75	1
						MPSU 306	0,9	1,2
						MPSU 307	0,9	1,2
						MPSU 504	0,9	1,2
						MPSU 505	1,1	1,5
						MPSU 506	1,1	1,5
						MPSU 507	1,5	2

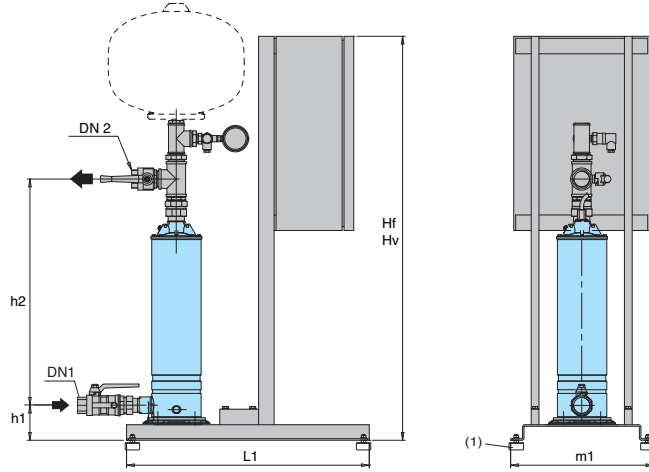
### BS.. ..-EMT, EMM

PUMPS Nos			PUMP TYPE	P <sub>2</sub> For each pump	
1	2	3		kW	HP
BS1V -EMT -EMM	BS2V -EMT	BS3V -EMT	MPSU 304-EMT	0,55	0,75
			MPSU 305-EMT	0,75	1
			MPSU 306-EMT	0,9	1,2
			MPSU 307-EMT	0,9	1,2
			MPSU 504-EMT	0,9	1,2
			MPSU 505-EMT	1,1	1,5
			MPSU 506-EMT	1,1	1,5
			MPSU 507-EMT	1,5	2

(\*) SYSTEMS WITH:  
1 variable speed pump three-phase motor  
1 fixed speed pump single-phase motor  
Power supply to control panel 230 V single-phase

(\*\*) Three-phase motor 230 V.  
Power supply to control panel: - 230 V three-phase  
- 230 V single-phase  
Frequency converter output is always 230 V three-phase.

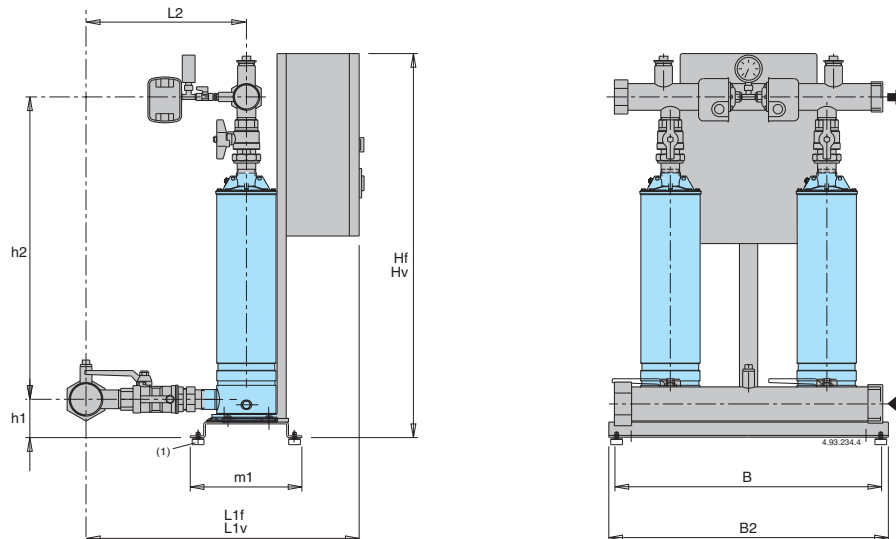
## Dimensions and weights



TYPE	TYPE	Connection		mm							weight kg
		DN 1	DN 2	Hf	Hv	h1	h2	L1	m1		
BS1. 1MPSU 304	BSM1. 1MPSUM 304	G 1 1/4	G 1 1/4	875	1045	94	619	625	365		
BS1. 1MPSU 305	BSM1. 1MPSUM 305						668				
BS1. 1MPSU 306	BSM1. 1MPSUM 306						692				
BS1. 1MPSU 307	BSM1. 1MPSUM 307						716				
BS1. 1MPSU 504	BSM1. 1MPSUM 504						644				
BS1. 1MPSU 505	BSM1. 1MPSUM 505						668				
BS1. 1MPSU 506	BSM1. 1MPSUM 506						737				
BS1. 1MPSU 507	BSM1. 1MPSUM 507						786				

Dimensions not binding to be verified when ordering  
Hf= Fixed speed boosting sets  
Hv= Variable speed boosting sets

(1) Anti-vibration pads kit supplied loose as standard

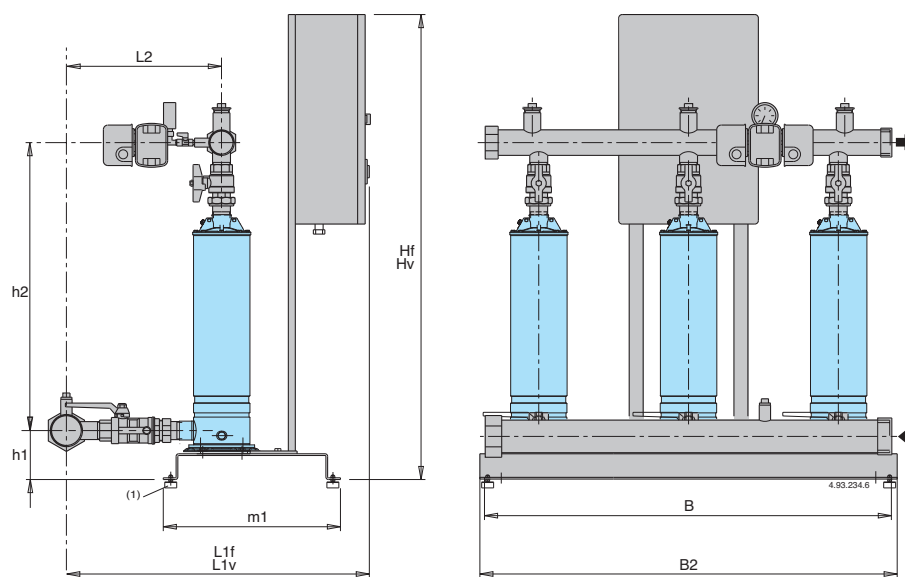


TYPE	TYPE	Connection		mm										weight kg
		DN 1	DN 2	Hf	Hv	h1	h2	L1f	L1v	L2	m1	B	B2	
BS.. 2MPSU 304	BSM.. 2MPSUM 304	G 2	G 2	865	1135	84	629	690	740	320	240	600	625	50 - 50
BS.. 2MPSU 305	BSM.. 2MPSUM 305						698							52 - 52
BS.. 2MPSU 306	BSM.. 2MPSUM 306						722							54 - 55
BS.. 2MPSU 307	BSM.. 2MPSUM 307						746							56 - 58
BS.. 2MPSU 504	BSM.. 2MPSUM 504						674							52 - 52
BS.. 2MPSU 505	BSM.. 2MPSUM 505						698							54 - 54
BS.. 2MPSU 506	BSM.. 2MPSUM 506						767							56 - 57
BS.. 2MPSU 507	BSM.. 2MPSUM 507						816							58 - 60

Dimensions not binding to be verified when ordering

(1) Anti-vibration pads kit supplied loose as standard

## Dimensions and weights



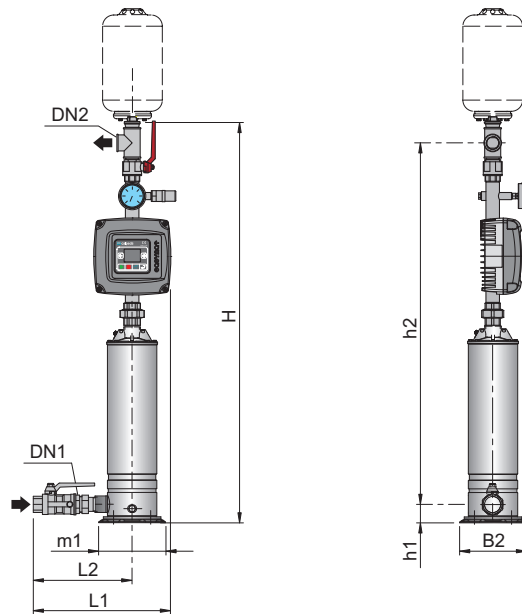
TYPE	Connection		mm										weight kg	
	DN 1	DN 2	Hf	Hv	h1	h2	L1f	L1v	L2	m1	B	B2		
BS.. 3MPSU 304						636								85
BS.. 3MPSU 305						705								88
BS.. 3MPSU 306						729								91
BS.. 3MPSU 307						753								94
BS.. 3MPSU 504	G 2 1/2	G 2	1090	1260	105	681	735	805	329	406	950	1000	87	
BS.. 3MPSU 505						705								90
BS.. 3MPSU 506						774								93
BS.. 3MPSU 507						823								96

Dimensions not binding to be verified when ordering

(1) Anti-vibration pads kit supplied loose as standard

Hf= Fixed speed boosting sets  
Hv= Variable speed boosting sets

## Characteristic and dimensions

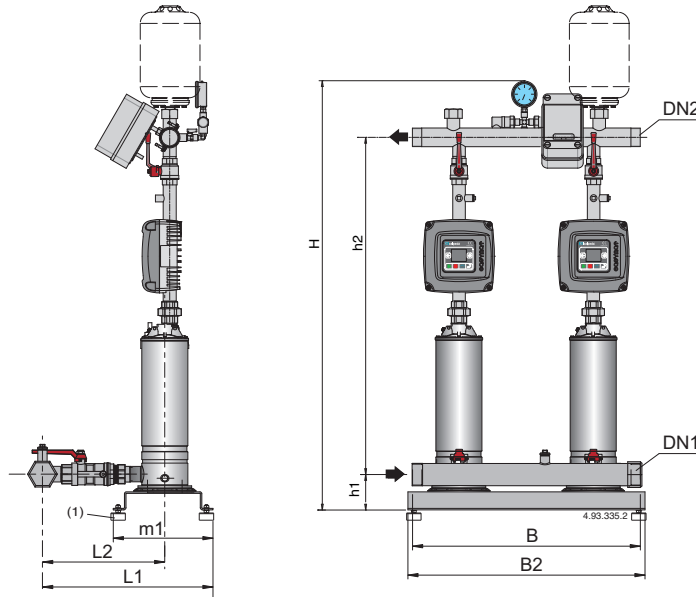


Mains: 1~ 230V Motor: 3~ 230V	mains		Mains: 1~ 230V Motor: 1~ 230V	A	P2		Connection		mm							
	A	A			kW	HP	DN1	DN2	H	h1	h2	L1	L2	m1	B2	
BSM1V 1MPSU 304-EMT	3,9	2,8	BSM1V 1MPSUM 304-EMM	4,1	0,55	0,75	G 1 1/4	1 1/4	1055	50	952	376	286	180	205	
BSM1V 1MPSU 305-EMT	4,7	3,3	BSM1V 1MPSUM 305-EMM	5	0,75	1			1124		1021					
BSM1V 1MPSU 306-EMT	5,4	3,8	BSM1V 1MPSUM 306-EMM	6	0,9	1,2			1148		1045					
BSM1V 1MPSU 307-EMT	6,4	4,5	BSM1V 1MPSUM 307-EMM	6,6	0,9	1,2			1172		1069					
BSM1V 1MPSU 504-EMT	6,4	3,8	BSM1V 1MPSUM 504-EMM	6	0,9	1,2	G 1 1/4	G 1 1/4	1100	50	997	376	286	180	205	
BSM1V 1MPSU 505-EMT	6,4	4,5	BSM1V 1MPSUM 505-EMM	7	1,1	1,5			1124		1021					
BSM1V 1MPSU 506-EMT	6,9	4,8			1,1	1,5			1193		1090					
BSM1V 1MPSU 507-EMT	9,7	6,8			1,5	2			1142		1139					

Dimensions not binding to be verified when ordering



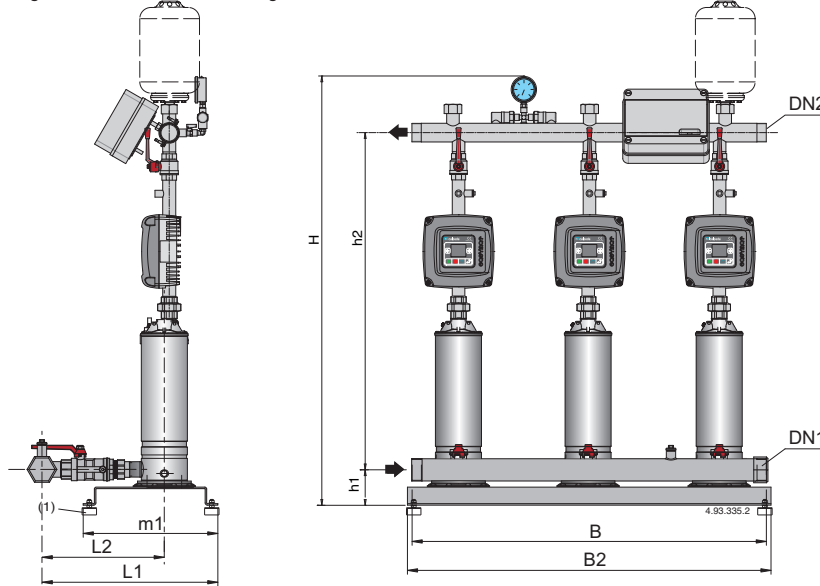
## Characteristic and dimensions



Mains: 1~ 230V Motor: 3~ 230V	mains A	motor A	P2		Connection		mm										
			kW	HP	DN1	DN2	H	h1	h2	L1	L2	m1	B	B2			
BSM2V 2MPSU 304-EMT	2 x 3,9	2 x 2,8	2 x 0,55	2 x 0,75			1130		932								
BSM2V 2MPSU 305-EMT	2 x 4,7	2 x 3,3	2 x 0,75	2 x 1	G 2	G 2	1199	84	1001	420	320	240	600	625			
BSM2V 2MPSU 306-EMT	2 x 5,4	2 x 3,8	2 x 0,9	2 x 1,2			1223		1025								
BSM2V 2MPSU 307-EMT	2 x 6,4	2 x 4,5	2 x 0,9	2 x 1,2			1247		1049								
BSM2V 2MPSU 504-EMT	2 x 6,4	2 x 3,8	2 x 0,9	2 x 1,2			1175		977								
BSM2V 2MPSU 505-EMT	2 x 6,4	2 x 4,5	2 x 1,1	2 x 1,5	G 2	G 2	1199	84	1001	420	320	240	600	625			
BSM2V 2MPSU 506-EMT	2 x 6,9	2 x 4,8	2 x 1,1	2 x 1,5			1268		1070								
BSM2V 2MPSU 507-EMT	2 x 9,7	2 x 6,8	2 x 1,5	2 x 2			1317		1119								

Dimensions not binding to be verified when ordering

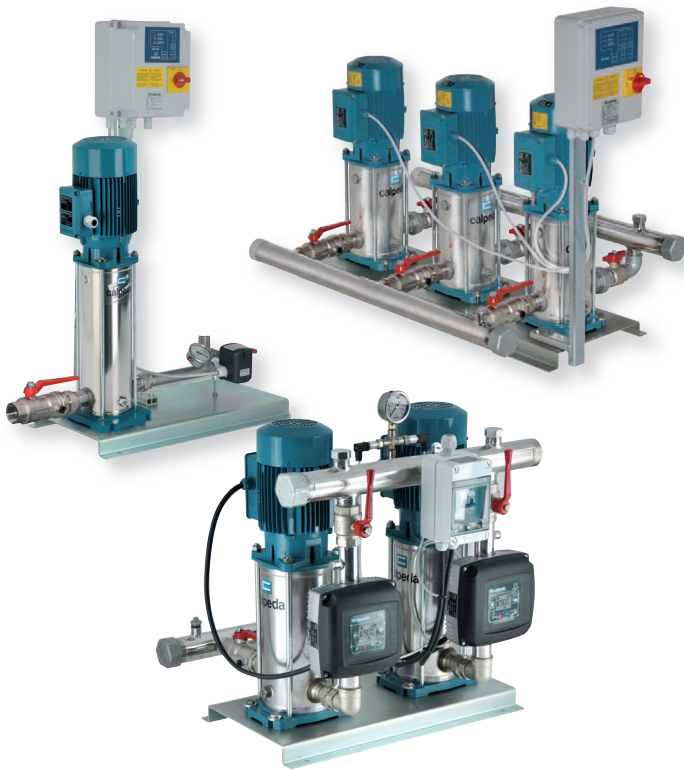
(1) Anti-vibration pads kit supplied loose as standard



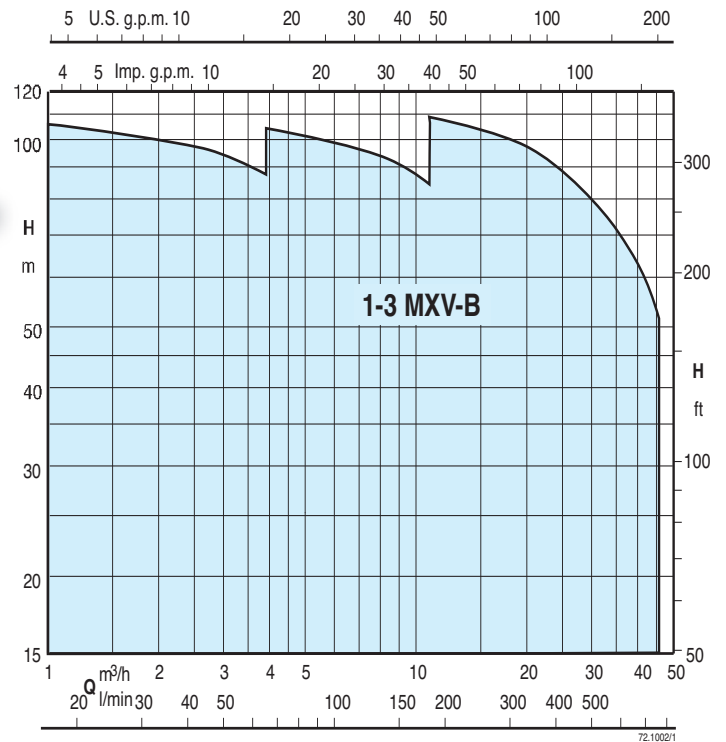
Mains: 1~ 230V Motor: 3~ 230V	mains A	motor A	P2		Connection		mm										
			kW	HP	DN1	DN2	H	h1	h2	L1	L2	m1	B	B2			
BSM3V 3MPSU 304-EMT	3 x 3,9	3 x 2,8	3 x 0,55	3 x 0,75			1151		953								
BSM3V 3MPSU 305-EMT	3 x 4,7	3 x 3,3	3 x 0,75	3 x 1	G 2 1/2	G 2	1120	105	1022	566	329	406	950	1000			
BSM3V 3MPSU 306-EMT	3 x 5,4	3 x 3,8	3 x 0,9	3 x 1,2			1244		1046								
BSM3V 3MPSU 307-EMT	3 x 6,4	3 x 4,5	3 x 0,9	3 x 1,2			1268		1070								
BSM3V 3MPSU 504-EMT	3 x 6,4	3 x 3,8	3 x 0,9	3 x 1,2			1196		998								
BSM3V 3MPSU 505-EMT	3 x 6,4	3 x 4,5	3 x 1,1	3 x 1,5	G 2 1/2	G 2	1220	105	1022	566	329	406	950	1000			
BSM3V 3MPSU 506-EMT	3 x 6,9	3 x 4,8	3 x 1,1	3 x 1,5			1286		1091								
BSM3V 3MPSU 507-EMT	3 x 9,7	3 x 6,8	3 x 1,5	3 x 2			1338		1140								

Dimensions not binding to be verified when ordering

(1) Anti-vibration pads kit supplied loose as standard



## Coverage chart



## Operation

**BS 1-6F** Pressure boosting sets with 1 to 6 fixed speed pump.  
**Sets with 4,5 and 6 pumps on request.**

Depending on the reduction of the pressure in the system, the pressure switches (pressure transducer for 3-pump sets) determine the starting up of the pumps in sequence and the microprocessor alternates the starts.

**BS2-3V** Pressure boosting sets with 2 to 3 variable speed pumps (with I-MAT).

Depending on water consumption, one or more pumps are activated, all at variable speed, in order to guarantee the quantity of water required at the set pressure.

**BS1-3V** Pressure boosting sets with 1 to 3 variable speed pumps (with EASYMAT).

Depending on water consumption, one or more pumps are activated, all at variable speed, in order to guarantee the quantity of water required at the set pressure.

**BS1V2-5F** Pressure boosting sets with 1 variable speed pump (with frequency converter into the control panel) and from 1 to 5 fixed speed pumps

**Sets with 4,5 and 6 pumps on request.**  
According to the water consumption, one or more pumps start, one at variable speed and the others at fixed speed, to grant the water quantity required at the set pressure.

**BS1-6V** Pressure boosting sets with 1 to 6 variable speed pumps (with frequency converter into the control panel).

**Sets with 4,5 and 6 pumps on request.**  
Depending on water consumption, one or more pumps are activated, all at variable speed, in order to guarantee the quantity of water required at the set pressure.

## Construction

- Automatic pressure boosting plant consisting of 1 to 6 vertical multi-stage pumps complete with ball, non return valve on the suction side and ball valves on the delivery side.

**Suction and delivery manifolds for boosting sets with 2,3 pumps:**

- stainless steel AISI 304.  
Connections are located on the delivery manifold for the installation of vessels G1 connection.

## Electrical control boards:

- with microprocessor for fixed speed pump units. Motor starting is D.O.L.  
- with frequency converter for variable speed pump units.

The unit includes one pressure gauge and three adjustable differential pressure switches or pressure transducer.

## Applications

To supply water in civil and industrial buildings.  
As pressure boosting pump to increase water pressure when needed (follow local rules).

## Motors

2-pole induction motors, 50 Hz,  $n \approx 2900$  rpm, suitable for operation with frequency converter.

- Three-phase 230/400V  $\pm 10\%$ .  
- Single-phase 230 V  $\pm 10\%$ , with thermal protector.  
Insulation class F.  
Protection IP 54.  
Constructed in accordance with: IEC 60034.  
Other voltages and frequencies on request.

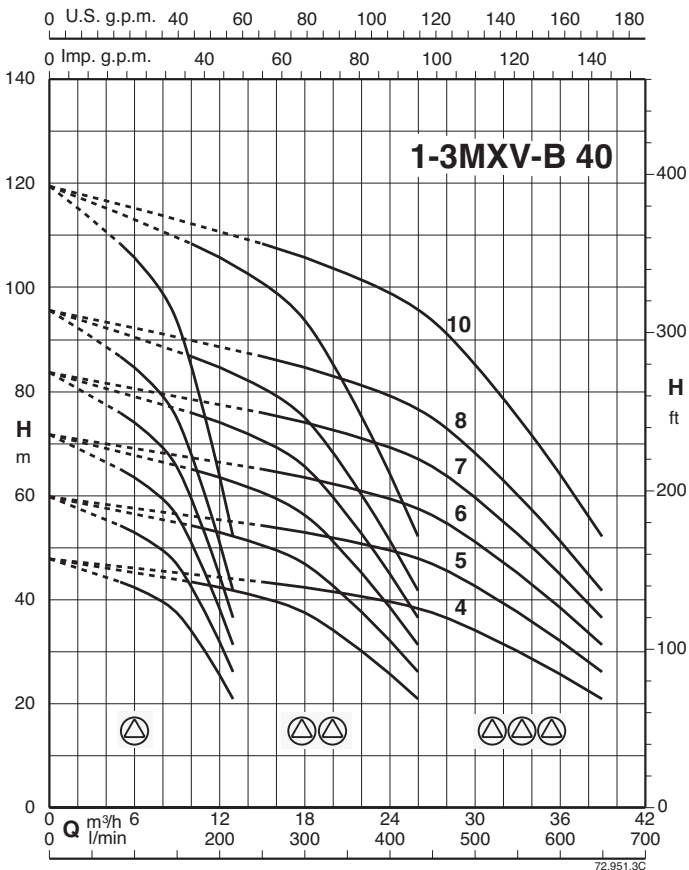
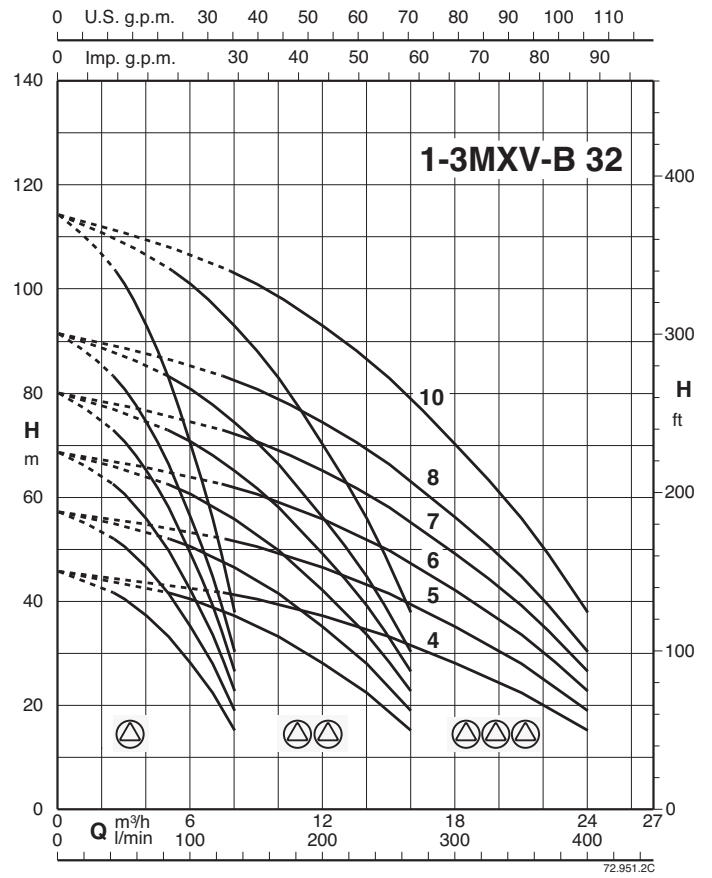
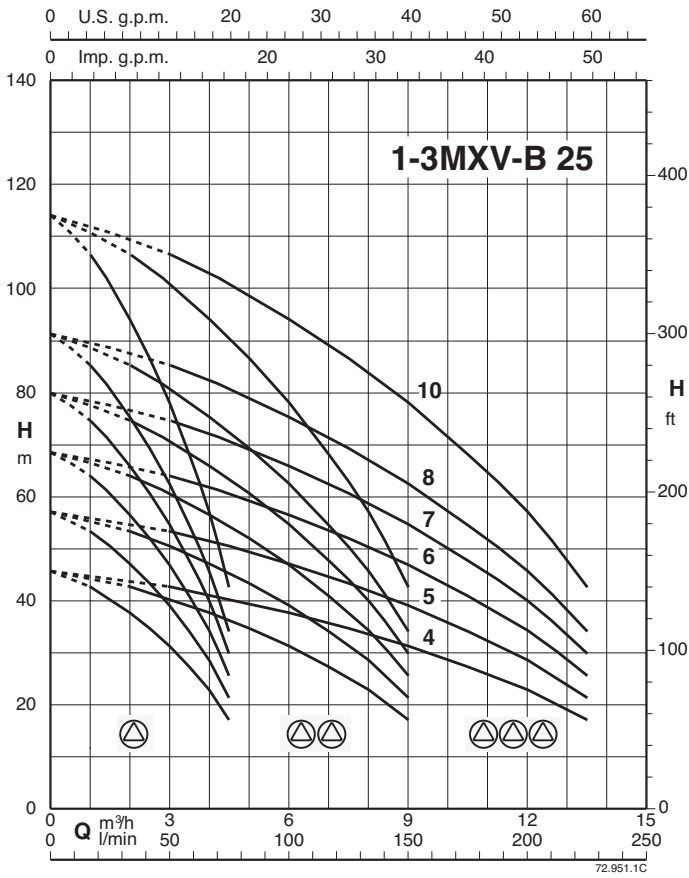
## Vessels on request

When installing the unit, connect in the delivery section to a diaphragm or galvanised tank.  
The recommended sized are shown in the following page.

## Special features on request

Pressure boosting sets with 4,5 and 6 pumps.

## Coverage chart



## Performance

### BS1F

### BSM1F

Mains: 400V 3~ Motor: 400V 3~	Mains: 230V 1~ Motor: 230V 1~	Motor		Pres. switch 1 bar		Vessel Membrane litre	Vessel litre
		kW	HP	min	max		
BS1F 1MXV-B 25-204	BSM1F 1MXV-BM 25-204	0,75	1	2,5	4	40	100
BS1F 1MXV-B 25-205	BSM1F 1MXV-BM 25-205	0,75	1	3,5	5	50	100
BS1F 1MXV-B 25-206	BSM1F 1MXV-BM 25-206	1,1	1,5	4	6	50	100
BS1F 1MXV-B 25-207	BSM1F 1MXV-BM 25-207	1,1	1,5	5	7	50	100
BS1F 1MXV-B 25-208	BSM1F 1MXV-BM 25-208	1,5	2	6	8	60	100
BS1F 1MXV-B 25-210	BSM1F 1MXV-BM 25-210	1,5	2	6,5	9,5	60	100
BS1F 1MXV-B 32-404	BSM1F 1MXV-BM 32-404	1,1	1,5	2,3	3,8	80	100
BS1F 1MXV-B 32-405	BSM1F 1MXV-BM 32-405	1,1	1,5	3,4	4,9	100	100
BS1F 1MXV-B 32-406	BSM1F 1MXV-BM 32-406	1,5	2	4	6	100	100
BS1F 1MXV-B 32-407	BSM1F 1MXV-BM 32-407	1,5	2	5	7	100	300
BS1F 1MXV-B 32-408/A		2,2	3	6	8	150	300
BS1F 1MXV-B 32-410/A		2,2	3	6,5	9,5	150	300
BS1F 1MXV-B 40-804	BSM1F 1MXV-BM 40-804	1,5	2	2,5	4	200	300
BS1F 1MXV-B 40-805/A		2,2	3	3,5	5	300	500
BS1F 1MXV-B 40-806/A		2,2	3	4	6	300	500
BS1F 1MXV-B 40-807/A		3	4	5	7	300	500
BS1F 1MXV-B 40-808/A		3	4	6	8	300	500
BS1F 1MXV-B 40-810/A		3,7	5	7,5	10,5	500	800

### BS2F

### BSM2F

Mains: 400V 3~ Motor: 400V 3~	Mains: 230V 1~ Motor: 230V 1~	Motor		Pres. switch 1 bar		Pres. switch 2 bar		Vessel Membrane litre	Vessel litre
		kW	HP	min	max	min	max		
BS2F 2MXV-B 25-204	BSM2F 2MXV-BM 25-204	0,75 x2	1 x2	2,5	4	2,2	3,7	40	100
BS2F 2MXV-B 25-205	BSM2F 2MXV-BM 25-205	0,75 x2	1 x2	3,5	5	3	4,5	50	100
BS2F 2MXV-B 25-206	BSM2F 2MXV-BM 25-206	1,1 x2	1,5 x2	4	6	3,5	5,5	50	100
BS2F 2MXV-B 25-207	BSM2F 2MXV-BM 25-207	1,1 x2	1,5 x2	5	7	4,5	6,5	50	100
BS2F 2MXV-B 25-208	BSM2F 2MXV-BM 25-208	1,5 x2	2 x2	6	8	5,5	7,5	60	100
BS2F 2MXV-B 25-210	BSM2F 2MXV-BM 25-210	1,5 x2	2 x2	6,5	9,5	6	9	60	100
BS2F 2MXV-B 32-404	BSM2F 2MXV-BM 32-404	1,1 x2	1,5 x2	2,3	3,8	1,8	3,3	80	100
BS2F 2MXV-B 32-405	BSM2F 2MXV-BM 32-405	1,1 x2	1,5 x2	3,4	4,9	3	4,5	100	100
BS2F 2MXV-B 32-406	BSM2F 2MXV-BM 32-406	1,5 x2	2 x2	4	6	3,5	5,5	100	100
BS2F 2MXV-B 32-407	BSM2F 2MXV-BM 32-407	1,5 x2	2 x2	5	7	4,5	6,5	100	300
BS2F 2MXV-B 32-408/A		2,2 x2	3 x2	6	8	5,5	7,5	150	300
BS2F 2MXV-B 32-410/A		2,2 x2	3 x2	6,5	9,5	6	9	150	300
BS2F 2MXV-B 40-804	BSM2F 2MXV-BM 40-804	1,5 x2	2 x2	2,5	4	2,2	3,7	200	300
BS2F 2MXV-B 40-805/A		2,2 x2	3 x2	3,5	5	3	4,5	300	500
BS2F 2MXV-B 40-806/A		2,2 x2	3 x2	4	6	3,5	5,5	300	500
BS2F 2MXV-B 40-807/A		3 x2	4 x2	5	7	4,5	6,5	300	500
BS2F 2MXV-B 40-808/A		3 x2	4 x2	6	8	5,5	7,5	300	500
BS2F 2MXV-B 40-810/A		3,7 x2	5 x2	8	10	7,5	9,5	500	800

## Performance

### BS3F

Mains: 400V 3~ Motor: 400V 3~	Motor		Pressure transducer bar		Vessel Membrane litre	Vessel litre
	kW	HP	min	max		
BS3F 3MXV-B 25-204	0,75 x3	1 x3	3	3,9	24x2	100
BS3F 3MXV-B 25-205	0,75 x3	1 x3	3,3	4,8	24x2	100
BS3F 3MXV-B 25-206	1,1 x3	1,5 x3	4,1	5,8	24x2	100
BS3F 3MXV-B 25-207	1,1 x3	1,5 x3	5	6,7	24x2	100
BS3F 3MXV-B 25-208	1,5 x3	2 x3	5,8	7,7	60	100
BS3F 3MXV-B 25-210	1,5 x3	2 x3	7,5	9,7	80	100
BS3F 3MXV-B 32-404	1,1 x3	1,5 x3	3	3,8	100	200
BS3F 3MXV-B 32-405	1,1 x3	1,5 x3	3,2	4,7	100	200
BS3F 3MXV-B 32-406	1,5 x3	2 x3	4	5,6	100	200
BS3F 3MXV-B 32-407	1,5 x3	2 x3	4,8	6,6	150	200
BS3F 3MXV-B 32-408/A	2,2 x3	3 x3	5,7	7,6	150	300
BS3F 3MXV-B 32-410/A	2,2 x3	3 x3	7,4	9,5	200	300
BS3F 3MXV-B 40-804	1,5 x3	2 x3	3	3,9	300	500
BS3F 3MXV-B 40-805/A	2,2 x3	3 x3	3,4	4,9	300	500
BS3F 3MXV-B 40-806/A	2,2 x3	3 x3	4,2	5,9	300	500
BS2F 3MXV-B 40-807/A	3 x3	4 x3	5,1	6,9	300	500
BS2F 3MXV-B 40-808/A	3 x3	4 x3	6	7,9	300	500
BS2F 3MXV-B 40-810/A	3,7 x3	5 x3	7,8	9,9	500	800

## Performance

### BS..

PUMPS Nos						PUMP TYPE	P <sub>2</sub> For each pump	
1	2	3	4	5	6		kW	HP
BS1V	BS2V BS1V1F BSM1V1F* BSM2V**	BS3V BS1V2F	BS4V BS1V3F	BS5V BS1V4F	BS6V BS1V5F	MXV-B 25-204	0,75	1
						MXV-B 25-205	0,75	1
						MXV-B 25-206	1,1	1,5
						MXV-B 25-207	1,1	1,5
						MXV-B 25-208	1,5	2
						MXV-B 25-210	1,5	2
						MXV-B 32-404	1,1	1,5
						MXV-B 32-405	1,1	1,5
						MXV-B 32-406	1,5	2
						MXV-B 32-407	1,5	2
						MXV-B 32-408/A	2,2	3
						MXV-B 32-410/A	2,2	3
						MXV-B 40-804	1,5	2
						MXV-B 40-805/A	2,2	3
						MXV-B 40-806/A	2,2	3
						MXV-B 40-807/A	3	4
						MXV-B 40-808/A	3	4
MXV-B 40-810/A	3,7	5						

### BS.. ..-ITT

PUMPS Nos		PUMP TYPE	P <sub>2</sub> For each pump	
2	3		kW	HP
BS2V -ITT	BS3V -ITT	MXV-B 25-203-ITT	0,75	1
		MXV-B 25-204-ITT	0,75	1
		MXV-B 25-205-ITT	0,75	1
		MXV-B 25-206/A-ITT	1,1	1,5
		MXV-B 25-207/A-ITT	1,1	1,5
		MXV-B 25-208/A-ITT	1,5	2
		MXV-B 25-210/A-ITT	1,5	2
		MXV-B 32-403-ITT	0,75	1
		MXV-B 32-404/A-ITT	1,1	1,5
		MXV-B 32-405/A-ITT	1,1	1,5
		MXV-B 32-406/A-ITT	1,5	2
		MXV-B 32-407/A-ITT	1,5	2
		MXV-B 32-408/B-ITT	2,2	3
		MXV-B 32-410/B-ITT	2,2	3
		MXV-B 40-803/A-ITT	1,1	1,5
		MXV-B 40-804/A-ITT	1,5	2
		MXV-B 40-805/B-ITT	2,2	3
		MXV-B 40-806/B-ITT	2,2	3
		MXV-B 40-807/A-ITT	3	4
		MXV-B 40-808/A-ITT	3	4
MXV-B 40-810/B-ITT	3,7	5		

(\*) SYSTEMS WITH:

- 1 variable speed pump three-phase motor
- 1 fixed speed pump single-phase motor
- Power supply to control panel 230 V single-phase

(\*\*) Three-phase motor 230 V.

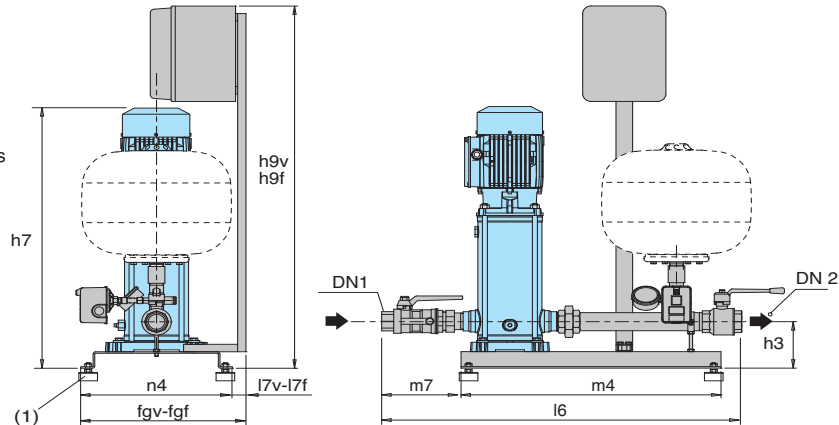
- Power supply to control panel: - 230 V three-phase
- 230 V single-phase
- Frequency converter output is always 230 V three-phase.

### BS.. ..-EMT, EMM

PUMPS Nos			PUMP TYPE	P <sub>2</sub> For each pump	
1	2	3		kW	HP
BS1V -EMT -EMM	BS2V -EMT	BS3V -EMT	MXV-B 25-204-EMT	0,75	1
			MXV-B 25-205-EMT	0,75	1
			MXV-B 25-206/A-EMT	1,1	1,5
			MXV-B 25-207/A-EMT	1,1	1,5
			MXV-B 25-208/A-EMT	1,5	2
			MXV-B 25-210/A-EMT	1,5	2
			MXV-B 32-404/A-EMT	1,1	1,5
			MXV-B 32-405/A-EMT	1,1	1,5
			MXV-B 32-406/A-EMT	1,5	2
			MXV-B 32-407/A-EMT	1,5	2
			MXV-B 32-408/B-EMT	2,2	3
			MXV-B 32-410/B-EMT	2,2	3
			MXV-B 40-804/A-EMT	1,5	2
			MXV-B 40-805/B-EMT	2,2	3
			MXV-B 40-806/B-EMT	2,2	3

## Dimensions and weights

h9f-I6f-I7f= Fixed speed boosting sets  
h9v-I6v-I7v= Variable speed boosting sets  
h9i-I6i-I7i= I-MAT boosting sets

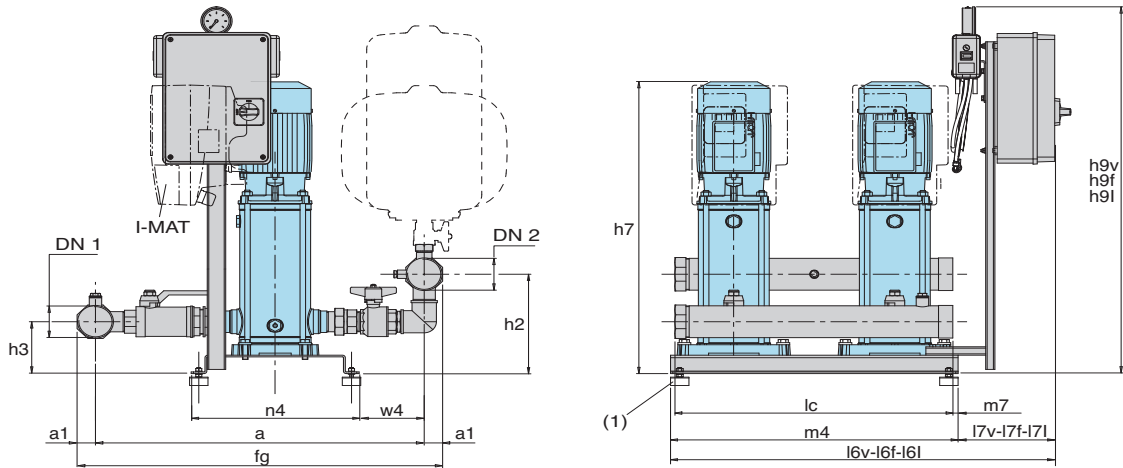


TYPE	TYPE	Connection		mm														
		DN 1	DN 2	h9f	h9v	h7	h3	m4	m7	I6	n4	fgf	fgv	I7f	I7v			
BS1. 1MXV-B 25-204	BSM1. 1MXV-BM 25-204					609												
BS1. 1MXV-B 25-205	BSM1. 1MXV-BM 25-205					632												
BS1. 1MXV-B 25-206/A	BSM1. 1MXV-BM 25-206					656												
BS1. 1MXV-B 25-207/A	BSM1. 1MXV-BM 25-207	G 1	G 1	1065	1345	680	120	625	140	*	365	*	410	*			45	
BS1. 1MXV-B 25-208/A	BSM1. 1MXV-BM 25-208					704												
BS1. 1MXV-B 25-210/A	BSM1. 1MXV-BM 25-210					752												
BS1. 1MXV-B 32-404/A	BSM1. 1MXV-BM 32-404					609												
BS1. 1MXV-B 32-405/A	BSM1. 1MXV-BM 32-405					632												
BS1. 1MXV-B 32-406/A	BSM1. 1MXV-BM 32-406	G 1 1/4	G 1 1/4	1065	1345	656	120	625	175	*	365	*	410	*			45	
BS1. 1MXV-B 32-407/A	BSM1. 1MXV-BM 32-407					680												
BS1. 1MXV-B 32-408/B						744												
BS1. 1MXV-B 32-410/B						792												
BS1. 1MXV-B 40-804/A	BSM1. 1MXV-BM 40-804					637												
BS1. 1MXV-B 40-805/B						707												
BS1. 1MXV-B 40-806/B		G 1 1/2	G 1 1/2	1065	1345	737	125	625	213	*	365	*	410	*			45	
BS1. 1MXV-B 40-807/B						790												
BS1. 1MXV-B 40-808/B						820												
BS1. 1MXV-B 40-810/B						997												

Dimensions not binding to be verified when ordering

\* Dimensions on request

(1) Anti-vibration pads kit supplied loose as standard



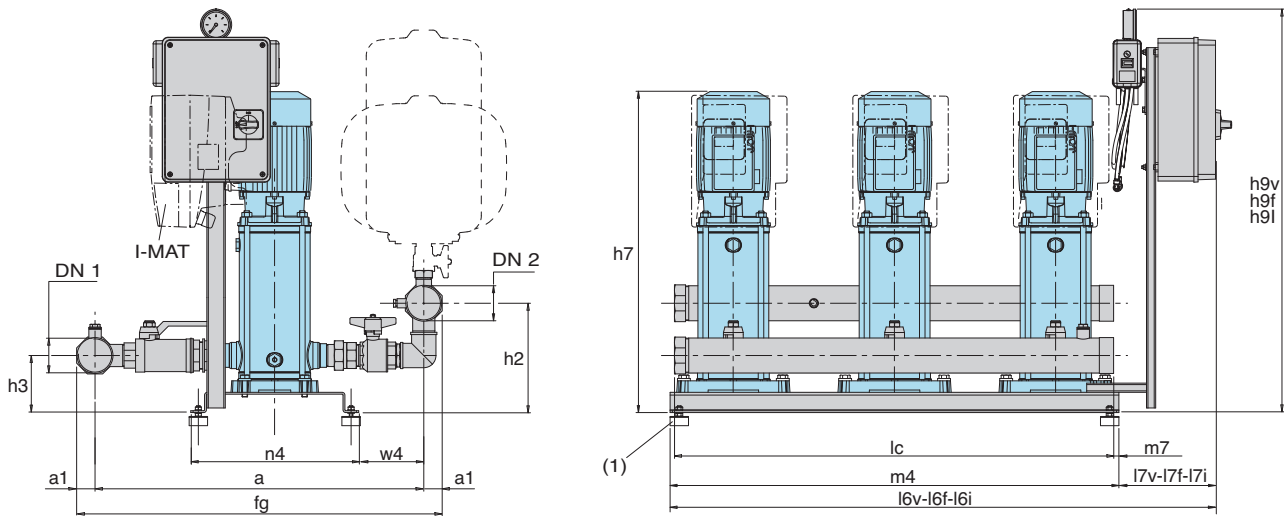
TYPE	TYPE	Connection		mm																				
		DN 1	DN 2	h9f	h9v	h9i	h7	h3	h2	fg	a	a1	n4	w4	lc	m4	m7	I6f	I6v	I6i	I7f	I7v	I7i	
BS.. 2MXV-B 25-204 (-ITT)	BSM.. 2MXV-BM 25-204						671																	
BS.. 2MXV-B 25-205 (-ITT)	BSM.. 2MXV-BM 25-205						695																	
BS.. 2MXV-B 25-206/A (-ITT)	BSM.. 2MXV-BM 25-206						719																	
BS.. 2MXV-B 25-207/A (-ITT)	BSM.. 2MXV-BM 25-207	G 1 1/2	G 1 1/2	965	1145	853	743	119	195	663	610	26,5	365	123	600	625	12,5	840	*	*	215	*	*	
BS.. 2MXV-B 25-208/A (-ITT)	BSM.. 2MXV-BM 25-208						777																	
BS.. 2MXV-B 25-210/A (-ITT)	BSM.. 2MXV-BM 25-210						825																	
BS.. 2MXV-B 32-404/A (-ITT)	BSM.. 2MXV-BM 32-404						671																	
BS.. 2MXV-B 32-405/A (-ITT)	BSM.. 2MXV-BM 32-405						695																	
BS.. 2MXV-B 32-406/A (-ITT)	BSM.. 2MXV-BM 32-406	G 2	G 2	965	1145	853	729	119	212	687	623	32	365	105	600	625	12,5	840	*	*	215	*	*	
BS.. 2MXV-B 32-407/A (-ITT)	BSM.. 2MXV-BM 32-407						753																	
BS.. 2MXV-B 32-408/B (-ITT)							817																	
BS.. 2MXV-B 32-410/B (-ITT)							865																	
BS.. 2MXV-B 40-804/A (-ITT)	BSM.. 2MXV-BM 40-804						710																	
BS.. 2MXV-B 40-805/B (-ITT)							780																	
BS.. 2MXV-B 40-806/B (-ITT)		G 2 1/2	G 2 1/2	965	1145	853	810	124	238	795	715	40	365	143	600	625	12,5	840	*	*	215	*	*	
BS.. 2MXV-B 40-807/B (-ITT)							866																	
BS.. 2MXV-B 40-808/B (-ITT)							896																	
BS.. 2MXV-B 40-810/B (-ITT)							956																	

Dimensions not binding to be verified when ordering

\* Dimensions on request

(1) Anti-vibration pads kit supplied loose as standard

## Dimensions and weights



TYPE	Connection		mm																				
	DN 1	DN 2	h9f	h9v	h9i	h7	h3	h2	fg	a	a1	n4	w4	lc	m4	m7	l6f	l6v	l6i	l7f	l7v	l7i	
BS.. 3MXV-B 25-204 (-ITT)						624																	
BS.. 3MXV-B 25-205 (-ITT)						647																	
BS.. 3MXV-B 25-206/A (-ITT)						671																	
BS.. 3MXV-B 25-207/A (-ITT)	G 2	G 2	965	1145	853	695	134	216	681	617	32	406	102	950	1000	25	840	*	*	215	*	*	
BS.. 3MXV-B 25-208/A (-ITT)						719																	
BS.. 3MXV-B 25-210/A (-ITT)						767																	
BS.. 3MXV-B 32-404/A (-ITT)						624																	
BS.. 3MXV-B 32-405/A (-ITT)						647																	
BS.. 3MXV-B 32-406/A (-ITT)	G 2 1/2	G 2 1/2	965	1145	853	671	134	234	711	631	40	406	84	950	1000	25	840	*	*	215	*	*	
BS.. 3MXV-B 32-407/A (-ITT)						695																	
BS.. 3MXV-B 32-408/B (-ITT)						759																	
BS.. 3MXV-B 32-410/B (-ITT)						807																	
BS.. 3MXV-B 40-804/A (-ITT)						652																	
BS.. 3MXV-B 40-805/B (-ITT)						722																	
BS.. 3MXV-B 40-806/B (-ITT)	G 3	G 3	965	1145	853	752	139	259	817	720	48,5	406	121	950	1000	25	840	*	*	215	*	*	
BS.. 3MXV-B 40-807/B (-ITT)						805																	
BS.. 3MXV-B 40-808/B (-ITT)						835																	
BS.. 3MXV-B 40-810/B (-ITT)						1012																	

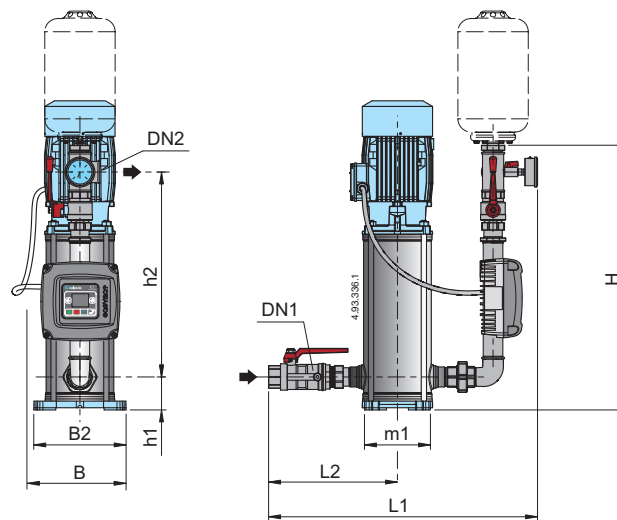
Dimensions not binding to be verified when ordering

\* Dimensions on request

(1) Anti-vibration pads kit supplied loose as standard



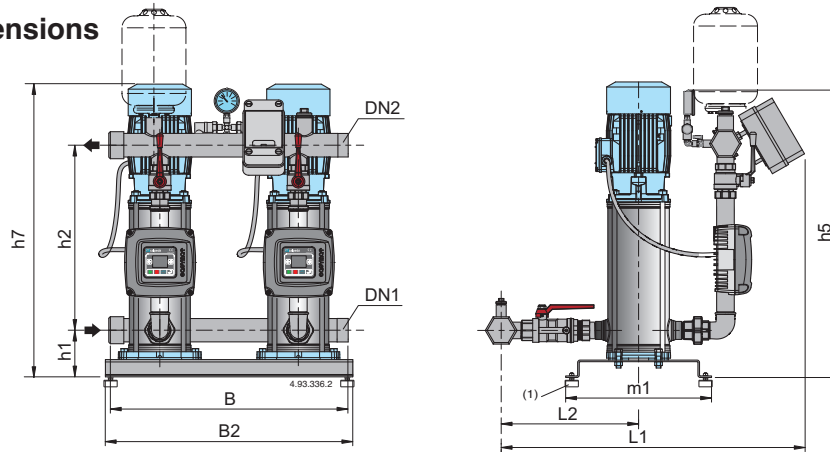
## Characteristic and dimensions



Mains: 1~ 230V Motor: 3~ 230V	mains		Mains: 1~ 230V Motor: 1~ 230V	A	P2		Connection		mm								
	A	A			kW	HP	DN1	DN2	H	h1	h2	L1	L2	m1	B	B2	
BSM1V 1MXV-B 25-204-EMT	5,4	3,3	BSM1V 1MXV-BM 25-204-EMM	5,8	0,75	1	G 1	G 1	577	75	437	588	262	150	218	210	
BSM1V 1MXV-B 25-205-EMT	5,4	3,3	BSM1V 1MXV-BM 25-205-EMM	5,8	0,75	1											
BSM1V 1MXV-B 25-206/A-EMT	7,1	4,7	BSM1V 1MXV-BM 25-206-EMM	7,4	1,1	1,5											
BSM1V 1MXV-B 25-207/A-EMT	7,1	4,7	BSM1V 1MXV-BM 25-207-EMM	7,4	1,1	1,5											
BSM1V 1MXV-B 25-208/A-EMT	10,8	7,5			1,5	2											
BSM1V 1MXV-B 25-210/A-EMT	10,8	7,5			1,5	2											
BSM1V 1MXV-B 32-404/A-EMT	7,1	4,7	BSM1V 1MXV-BM 32-404-EMM	7,4	1,1	1,5	G 1 1/4	G 1 1/4	600	75	458	633	288	150	218	210	
BSM1V 1MXV-B 32-405/A-EMT	7,1	4,7	BSM1V 1MXV-BM 32-405-EMM	7,4	1,1	1,5											
BSM1V 1MXV-B 32-406/A-EMT	10,8	7,5			1,5	2											
BSM1V 1MXV-B 32-407/A-EMT	10,8	7,5			1,5	2											
BSM1V 1MXV-B 32-408/B-EMT	13,2	9,15			2,2	3											
BSM1V 1MXV-B 32-410/B-EMT	13,2	9,15			2,2	3											
BSM1V 1MXV-B 40-804/A-EMT	10,8	7,5			1,5	2	G 1 1/2	G 1 1/2	623	80	470	675	318	190	246	246	
BSM1V 1MXV-B 40-805/B-EMT	13,2	9,15			2,2	3											
BSM1V 1MXV-B 40-806/B-EMT	13,2	9,15			2,2	3											

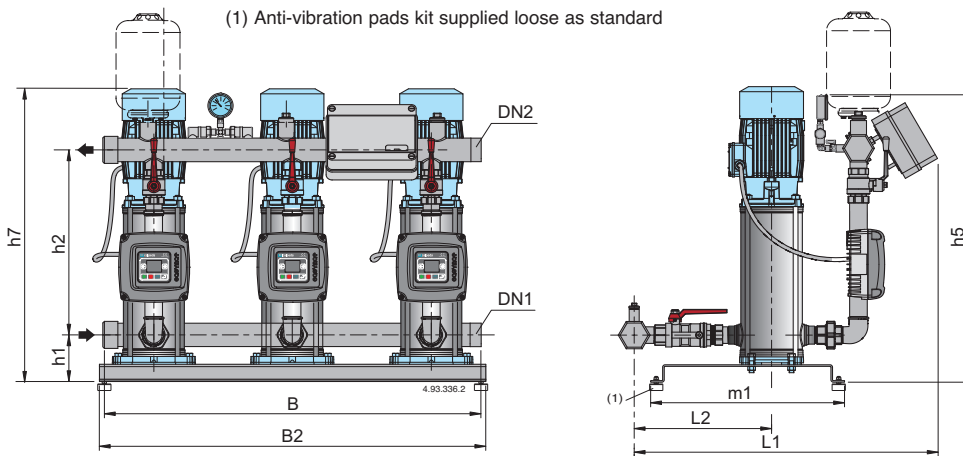
Dimensions not binding to be verified when ordering

## Characteristic and dimensions



Mains: 1~ 230V Motor: 3~ 230V	mains A	motor A	P2		Connection		mm									
			kW	HP	DN1	DN2	h5	h7	h1	h2	L1	L2	m1	B	B2	
BSM2V 2MXV-B 25-204-EMT	2 x 5,4	2 x 3,3	2 x 0,75	2 x 1	G 1 1/2	G 1 1/2	690	609	119	419	759	305	365	600	625	
BSM2V 2MXV-B 25-205-EMT	2 x 5,4	2 x 3,3	2 x 0,75	2 x 1				632								
BSM2V 2MXV-B 25-206/A-EMT	2 x 7,1	2 x 4,7	2 x 1,1	2 x 1,5				656								
BSM2V 2MXV-B 25-207/A-EMT	2 x 7,1	2 x 4,7	2 x 1,1	2 x 1,5				680								
BSM2V 2MXV-B 25-208/A-EMT	2 x 10,8	2 x 7,5	2 x 1,5	2 x 2				704								
BSM2V 2MXV-B 25-210/A-EMT	2 x 10,8	2 x 7,5	2 x 1,5	2 x 2	752											
BSM2V 2MXV-B 32-404/A-EMT	2 x 7,1	2 x 4,7	2 x 1,1	2 x 1,5	G 2	G 2	713	609	119	443	810	336	365	600	625	
BSM2V 2MXV-B 32-405/A-EMT	2 x 7,1	2 x 4,7	2 x 1,1	2 x 1,5				632								
BSM2V 2MXV-B 32-406/A-EMT	2 x 10,8	2 x 7,5	2 x 1,5	2 x 2				656								
BSM2V 2MXV-B 32-407/A-EMT	2 x 10,8	2 x 7,5	2 x 1,5	2 x 2				680								
BSM2V 2MXV-B 32-408/B-EMT	2 x 13,2	2 x 9,15	2 x 2,2	2 x 3				744								
BSM2V 2MXV-B 32-410/B-EMT	2 x 13,2	2 x 9,15	2 x 2,2	2 x 3	792											
BSM2V 2MXV-B 40-804/A-EMT	2 x 10,8	2 x 7,5	2 x 1,5	2 x 2	G 2 1/2	G 2 1/2	754	637	124	479	896	391	365	600	625	
BSM2V 2MXV-B 40-805/B-EMT	2 x 13,2	2 x 9,15	2 x 2,2	2 x 3				707								
BSM2V 2MXV-B 40-806/B-EMT	2 x 13,2	2 x 9,15	2 x 2,2	2 x 3				737								

(1) Anti-vibration pads kit supplied loose as standard



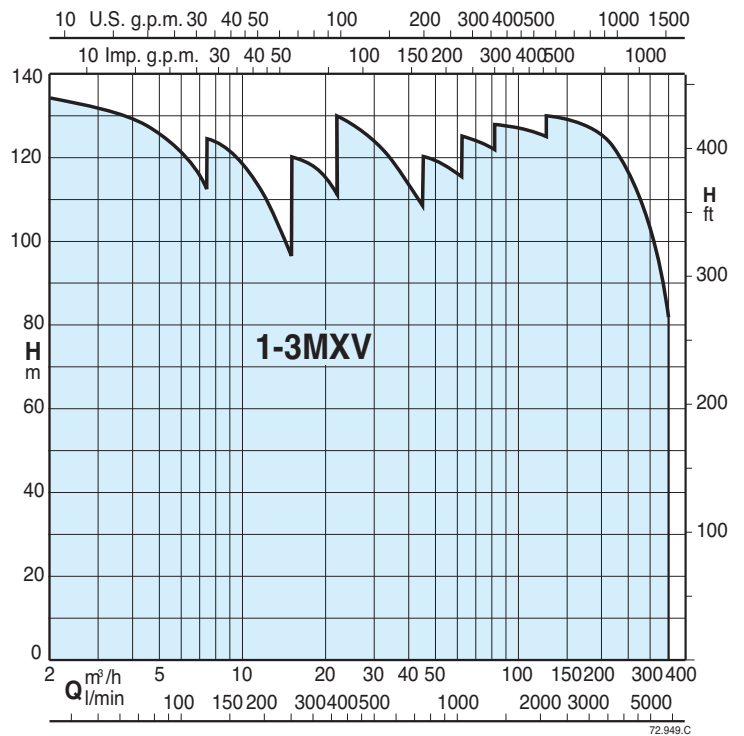
Mains: 1~ 230V Motor: 3~ 230V	mains A	motor A	P2		Connection		mm									
			kW	HP	DN1	DN2	h5	h7	h1	h2	L1	L2	m1	B	B2	
BSM3V 3MXV-B 25-204-EMT	3 x 5,4	3 x 3,3	3 x 0,75	3 x 1	G 2	G 2	711	624	134	425	766	311	406	950	1000	
BSM3V 3MXV-B 25-205-EMT	3 x 5,4	3 x 3,3	3 x 0,75	3 x 1				647								
BSM3V 3MXV-B 25-206/A-EMT	3 x 7,1	3 x 4,7	3 x 1,1	3 x 1,5				671								
BSM3V 3MXV-B 25-207/A-EMT	3 x 7,1	3 x 4,7	3 x 1,1	3 x 1,5				695								
BSM3V 3MXV-B 25-208/A-EMT	3 x 10,8	3 x 7,5	3 x 1,5	3 x 2				719								
BSM3V 3MXV-B 25-210/A-EMT	3 x 10,8	3 x 7,5	3 x 1,5	3 x 2	767											
BSM3V 3MXV-B 32-404/A-EMT	3 x 7,1	3 x 4,7	3 x 1,1	3 x 1,5	G 2 1/2	G 2 1/2	736	624	134	451	822	344	406	950	1000	
BSM3V 3MXV-B 32-405/A-EMT	3 x 7,1	3 x 4,7	3 x 1,1	3 x 1,5				647								
BSM3V 3MXV-B 32-406/A-EMT	3 x 10,8	3 x 7,5	3 x 1,5	3 x 2				671								
BSM3V 3MXV-B 32-407/A-EMT	3 x 10,8	3 x 7,5	3 x 1,5	3 x 2				695								
BSM3V 3MXV-B 32-408/B-EMT	3 x 13,2	3 x 9,15	3 x 2,2	3 x 3				759								
BSM3V 3MXV-B 32-410/B-EMT	3 x 13,2	3 x 9,15	3 x 2,2	3 x 3	807											
BSM3V 3MXV-B 40-804/A-EMT	3 x 10,8	3 x 7,5	3 x 1,5	3 x 2	G 3	G 3	776	652	139	485	895	397	406	950	1000	
BSM3V 3MXV-B 40-805/B-EMT	3 x 13,2	3 x 9,15	3 x 2,2	3 x 3				722								
BSM3V 3MXV-B 40-806/B-EMT	3 x 13,2	3 x 9,15	3 x 2,2	3 x 3				752								

Dimensions not binding to be verified when ordering

(1) Anti-vibration pads kit supplied loose as standard



Coverage chart



## Operation

**BS 1-6F Pressure boosting sets with 1 to 6 fixed speed pump. Sets with 4,5 and 6 pumps on request.**  
Depending on the reduction of the pressure in the system, the pressure switches (pressure transducer for 3-pump sets) determine the starting up of the pumps in sequence and the microprocessor alternates the starts.

**BS2-3V Pressure boosting sets with 2 to 3 variable speed pumps (with I-MAT).**  
Depending on water consumption, one or more pumps are activated, all at variable speed, in order to guarantee the quantity of water required at the set pressure.

**BS1V2-5F Pressure boosting sets with 1 variable speed pump (with frequency converter into the control panel) and from 1 to 5 fixed speed pumps. Sets with 4,5 and 6 pumps on request.**  
According to the water consumption, one or more pumps start, one at variable speed and the others at fixed speed, to grant the water quantity required at the set pressure.

**BS1-6V Pressure boosting sets with 1 to 6 variable speed pumps (with frequency converter into the control panel). Sets with 4,5 and 6 pumps on request.**  
Depending on water consumption, one or more pumps are activated, all at variable speed, in order to guarantee the quantity of water required at the set pressure.

## Construction

- Automatic pressure boosting plant consisting of 1 to 6 vertical multi-stage pumps complete with ball, non return valve on the suction side and ball valves on the delivery side.

**Suction and delivery manifolds for boosting sets with 2,3 pumps:**  
- stainless steel AISI 304.  
Connections are located on the delivery manifold for the installation of vessels G1 connection.

**Electrical control boards:**  
- with microprocessor for fixed speed pump units. Motor starting is D.O.L. up to 5,5 kW and Y/Δ for power rating 7,5 up to 37 kW.  
- with frequency converter for variable speed pump units.

The unit includes one pressure gauge and three adjustable differential pressure switches or pressure transducer.

## Applications

To supply water in civil and industrial buildings.  
As pressure boosting pump to increase water pressure when needed (follow local rules).

## Motors

2-pole induction motors, 50 Hz,  $n \approx 2900$  rpm, suitable for operation with frequency converter.  
- Three-phase 230/400V  $\pm 10\%$  up to 3 kW;  
400/690V  $\pm 10\%$  for 4 kW to 37 kW;  
- Single-phase 230 V  $\pm 10\%$ , (on request).  
Insulation class F.  
Protection IP 55.  
Constructed in accordance with: IEC 60034.  
Other voltages and frequencies on request.

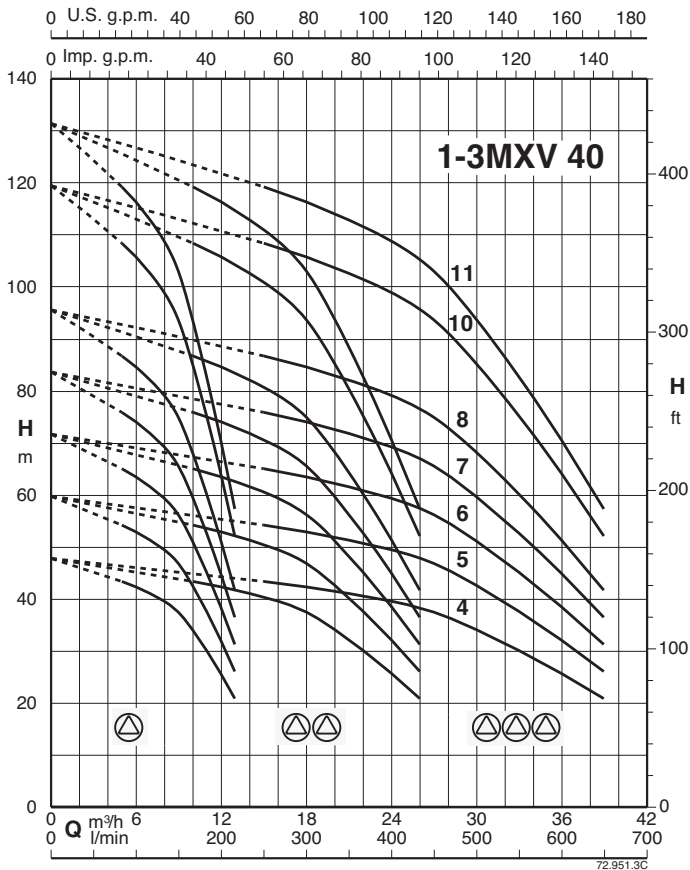
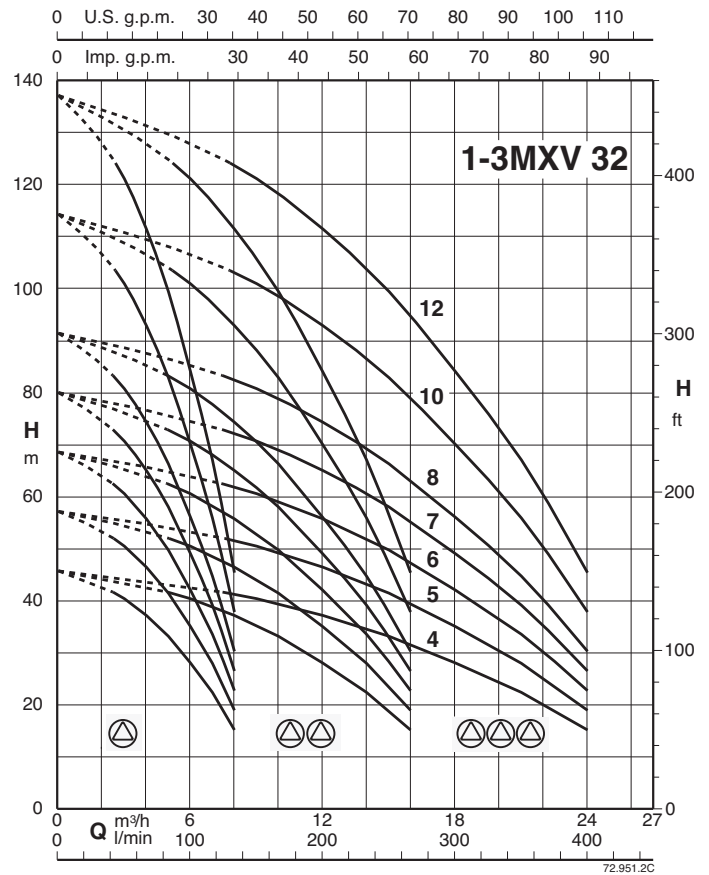
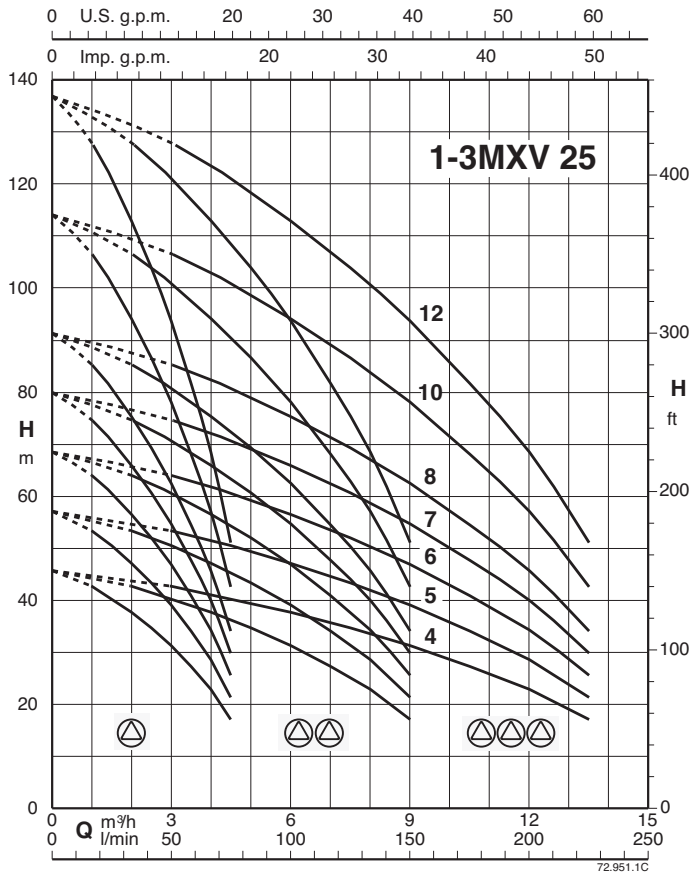
## Vessels on request

When installing the unit, connect in the delivery section to a diaphragm or galvanised tank.  
The recommended sized are shown in the following page.

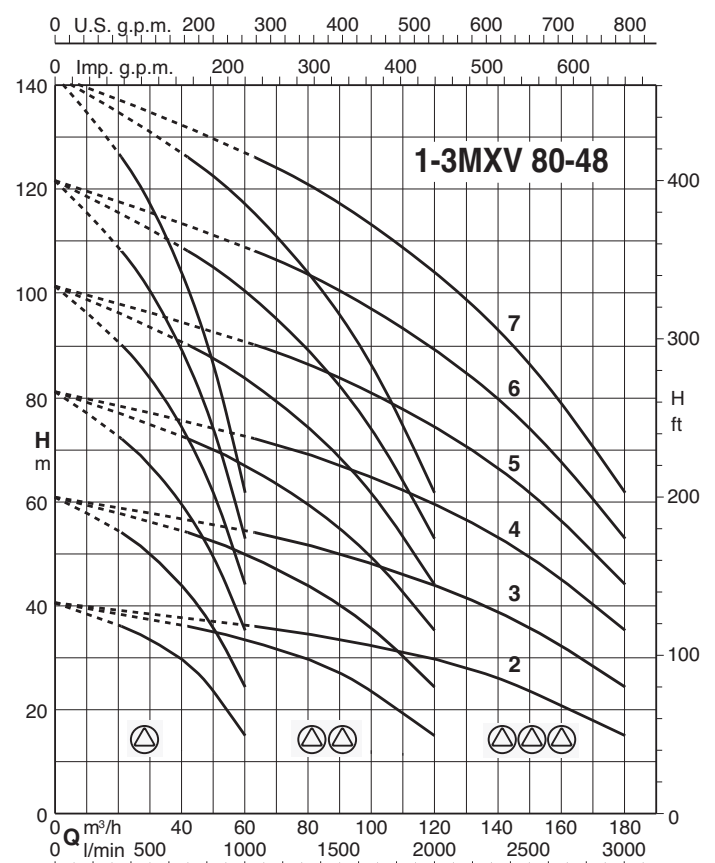
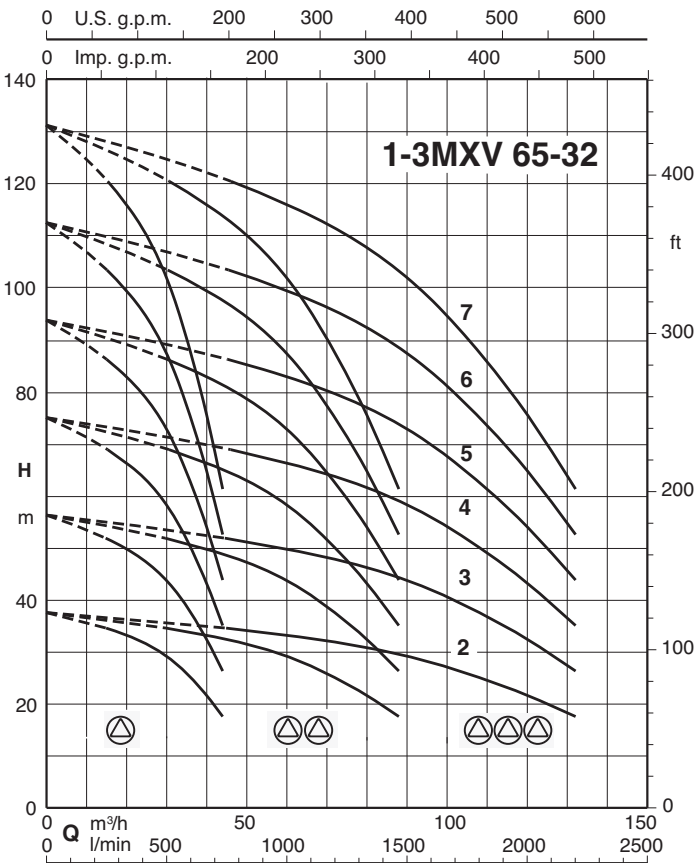
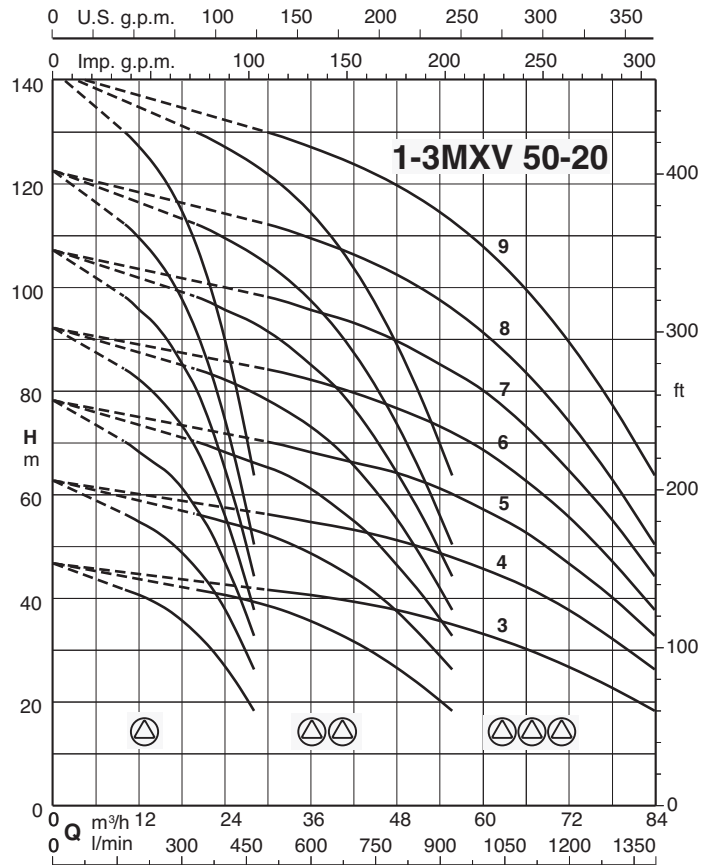
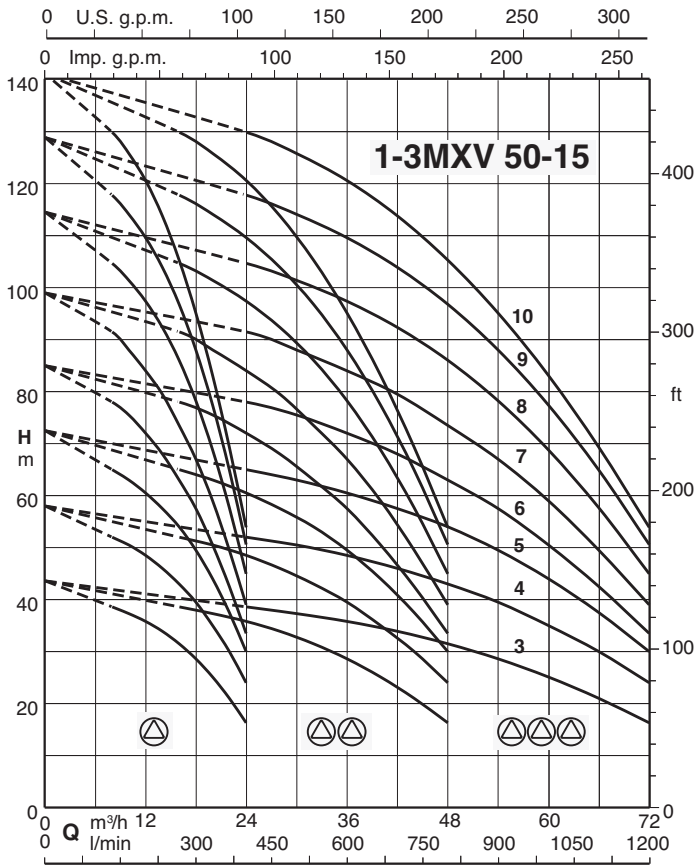
## Special features on request

Pressure boosting sets with 4,5 and 6 pumps.

## Coverage chart



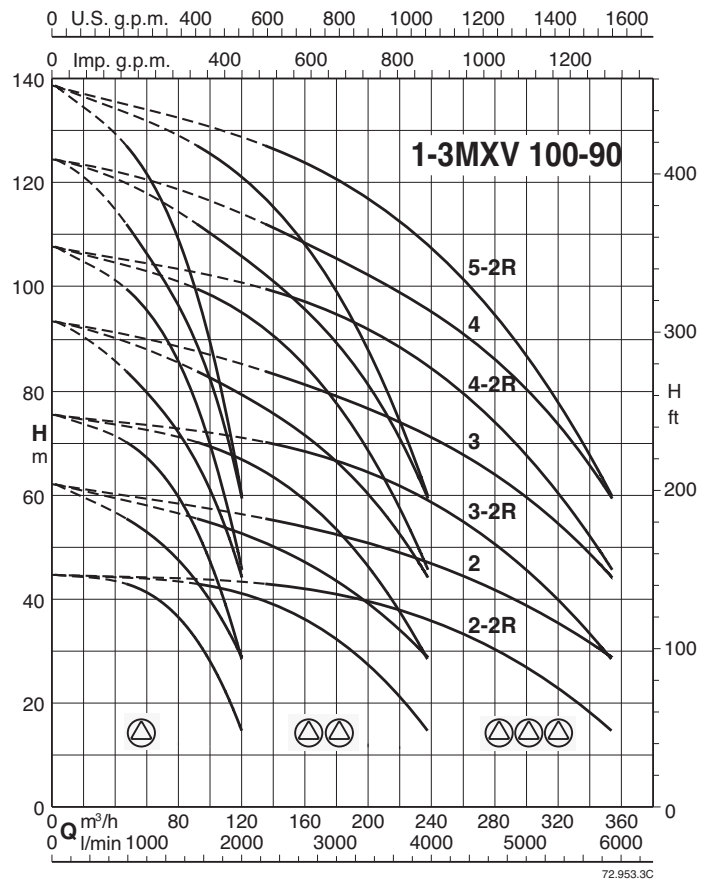
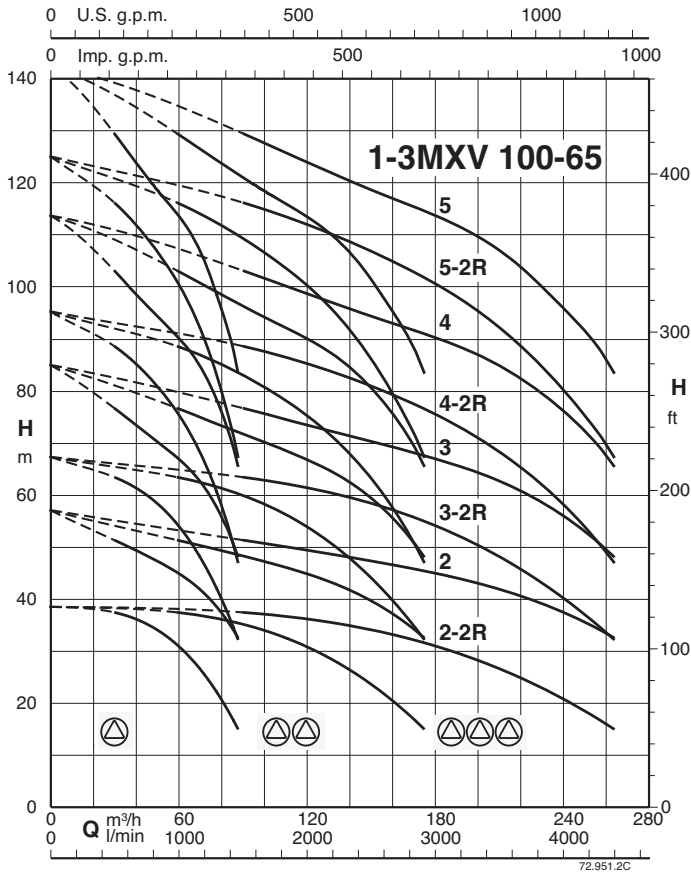
## Coverage chart



72.953.2C

72.953.3C

## Coverage chart



## Performance

### BS1F

### BSM1F

Mains: 400V 3~ Motor: 400V 3~	Mains: 230V 1~ Motor: 230V 1~	Motor		Pres. switch 1 bar		Vessel Membrane litre	Vessel litre
		kW	HP	min	max		
BS1F 1MXV 25-304 O	BSM1F 1MXV 25-304 O	0,75	1	2,5	4	40	100
BS1F 1MXV 25-305 O	BSM1F 1MXV 25-305 O	0,75	1	3,5	5	50	100
BS1F 1MXV 25-306 O	BSM1F 1MXV 25-306 O	1,1	1,5	4	6	50	100
BS1F 1MXV 25-307 O	BSM1F 1MXV 25-307 O	1,1	1,5	5	7	60	100
BS1F 1MXV 25-308 O	BSM1F 1MXV 25-308 O	1,5	2	6	8	100	100
BS1F 1MXV 25-310 O		1,5	2	6,5	8,5	100	200
BS1F 1MXV 25-312 O		2,2	3	8	10	200	200
BS1F 1MXV 32-504 O	BSM1F 1MXV 32-504 O	1,1	1,5	2,3	3,8	100	100
BS1F 1MXV 32-505 O	BSM1F 1MXV 32-505 O	1,1	1,5	3,4	4,9	100	200
BS1F 1MXV 32-506 O	BSM1F 1MXV 32-506 O	1,5	2	4	6	100	200
BS1F 1MXV 32-507 O	BSM1F 1MXV 32-507 O	1,5	2	5	7	100	200
BS1F 1MXV 32-508 O		2,2	3	6	8	200	300
BS1F 1MXV 32-510 O		2,2	3	7	9	300	500
BS1F 1MXV 32-512 O		3	4	8,5	10,5	300	500
BS1F 1MXV 40-904 O	BSM1F 1MXV 40-904 O	1,5	2	2,5	4	200	300
BS1F 1MXV 40-905 O		2,2	3	3,5	5	300	500
BS1F 1MXV 40-906 O		2,2	3	4	6	300	500
BS1F 1MXV 40-907 O		3	4	5	7	500	800
BS1F 1MXV 40-908 O		3	4	6	8	500	800
BS1F 1MXV 40-910 O		4	5,5	8	10	1000	1000
BS1F 1MXV 40-911 O		4	5,5	9	11	1000	1000
BS1F 1MXV 50-1503/A		2,2	3	2,7	3,5	500	1000
BS1F 1MXV 50-1504		3	4	3,2	4,7	500	1000
BS1F 1MXV 50-1505		4	5,5	4,3	5,9	500	1000
BS1F 1MXV 50-1506		5,5	7,5	5,3	7,1	500	1000
BS1F 1MXV 50-1507		5,5	7,5	6,4	8,3	750	1000
BS1F 1MXV 50-1508/A		5,5	7,5	7,5	9,6	750	1000
BS1F 1MXV 50-1509		7,5	10	9,3	10,8	1000	1500
BS1F 1MXV 50-1510		7,5	10	10,4	11,9	1000	1500
BS1F 1MXV 50-2003		3	4	3,0	3,8	750	1000
BS1F 1MXV 50-2004		4	5,5	3,5	5,1	750	1000
BS1F 1MXV 50-2005		5,5	7,5	4,7	6,4	750	1000
BS1F 1MXV 50-2006		7,5	10	5,8	7,7	750	1000
BS1F 1MXV 50-2007		7,5	10	6,9	8,9	1000	1500
BS1F 1MXV 50-2008		9,2	12,5	8,7	10,2	1000	2000
BS1F 1MXV 50-2009		9,2	12,5	10,4	11,9	1500	2000
BS1F 1MXV 65-3202/D		4	5,5	2	3	1000	2000
BS1F 1MXV 65-3203/C		5,5	7,5	3,3	4,8	1500	3000
BS1F 1MXV 65-3204/C		7,5	10	4,5	6,5	1500	3000
BS1F 1MXV 65-3205/D		11	15	6	8	2000	4000
BS1F 1MXV 65-3206/D		11	15	6,5	9,5	3000	4000
BS1F 1MXV 65-3207/D		15	20	7,5	10,5	4000	5000
BS1F 1MXV 80-4802/C		5,5	7,5	2	3,2	1500	3000
BS1F 1MXV 80-4803/C		7,5	10	3,5	5	2000	3000
BS1F 1MXV 80-4804/D		11	15	4,5	6,5	3000	4000
BS1F 1MXV 80-4805/D		15	20	6	8	4000	5000
BS1F 1MXV 80-4806/D		15	20	6,5	9,5	5000	-
BS1F 1MXV 80-4807/E		18,5	25	8	11	5000	-

## Performance

### BS2F

### BSM2F

Mains: 400V 3~ Motor: 400V 3~	Mains: 230V 1~ Motor: 230V 1~	Motor		Pres. switch 1 bar		Pres. switch 2 bar		Vessel Membrane litre	Vessel litre
		kW	HP	min	max	min	max		
BS2F 2MXV 25-304 O	BSM2F 2MXV 25-304 O	0,75 x2	1 x2	2,5	4	2,2	3,7	40	100
BS2F 2MXV 25-305 O	BSM2F 2MXV 25-305 O	0,75 x2	1 x2	3,5	5	3	4,5	50	100
BS2F 2MXV 25-306 O	BSM2F 2MXV 25-306 O	1,1 x2	1,5 x2	4	6	3,5	5,5	50	100
BS2F 2MXV 25-307 O	BSM2F 2MXV 25-307 O	1,1 x2	1,5 x2	5	7	4,5	6,5	60	100
BS2F 2MXV 25-308 O	BSM2F 2MXV 25-308 O	1,5 x2	2 x2	6	8	5,5	7,5	100	100
BS2F 2MXV 25-310 O		1,5 x2	2 x2	6,5	8,5	6	8	100	200
BS2F 2MXV 25-312 O		2,2 x2	3 x2	8	10	7,5	9,5	200	200
BS2F 2MXV 32-504 O	BSM2F 2MXV 32-504 O	1,1 x2	1,5 x2	2,3	3,8	1,8	3,3	100	100
BS2F 2MXV 32-505 O	BSM2F 2MXV 32-505 O	1,1 x2	1,5 x2	3,4	4,9	3	4,5	100	200
BS2F 2MXV 32-506 O	BSM2F 2MXV 32-506 O	1,5 x2	2 x2	4	6	3,5	5,5	100	200
BS2F 2MXV 32-507 O	BSM2F 2MXV 32-507 O	1,5 x2	2 x2	5	7	4,5	6,5	100	200
BS2F 2MXV 32-508 O		2,2 x2	3 x2	6	8	5,5	7,5	200	300
BS2F 2MXV 32-510 O		2,2 x2	3 x2	7	9	6,5	8,5	300	500
BS2F 2MXV 32-512 O		3 x2	4 x2	8,5	10,5	8	10	300	500
BS2F 2MXV 40-904 O	BSM2F 2MXV 40-904 O	1,5 x2	2 x2	2,5	4	2,2	3,7	200	300
BS2F 2MXV 40-905 O		2,2 x2	3 x2	3,5	5	3	4,5	300	500
BS2F 2MXV 40-906 O		2,2 x2	3 x2	4	6	3,5	5,5	300	500
BS2F 2MXV 40-907 O		3 x2	4 x2	5	7	4,5	6,5	500	800
BS2F 2MXV 40-908 O		3 x2	4 x2	6	8	5,5	7,5	500	800
BS2F 2MXV 40-910 O		4 x2	5,5 x2	8	10	7,5	9,5	1000	1000
BS2F 2MXV 40-911 O		4 x2	5,5 x2	9	11	8,5	10,5	1000	1000
BS2F 2MXV 50-1503/A		2,2 x2	3 x2	2,7	3,5	2,4	3,2	500	1000
BS2F 2MXV 50-1504		3 x2	4 x2	3,2	4,7	2,9	4,4	500	1000
BS2F 2MXV 50-1505		4 x2	5,5 x2	4,3	5,9	4,0	5,6	500	1000
BS2F 2MXV 50-1506		5,5 x2	7,5 x2	5,3	7,1	5,0	6,8	500	1000
BS2F 2MXV 50-1507		5,5 x2	7,5 x2	6,4	8,3	6,1	8,0	750	1000
BS2F 2MXV 50-1508/A		5,5 x2	7,5 x2	7,5	9,6	7,2	9,3	750	1000
BS2F 2MXV 50-1509		7,5 x2	10 x2	9,3	10,8	9,0	10,5	1000	1500
BS2F 2MXV 50-1510		7,5 x2	10 x2	10,4	11,9	10,1	11,6	1000	1500
BS2F 2MXV 50-2003		3 x2	4 x2	3,0	3,8	2,7	3,5	750	1000
BS2F 2MXV 50-2004		4 x2	5,5 x2	3,5	5,1	3,3	4,8	750	1000
BS2F 2MXV 50-2005		5,5 x2	7,5 x2	4,7	6,4	4,4	6,1	750	1000
BS2F 2MXV 50-2006		7,5 x2	10 x2	5,8	7,7	5,5	7,4	750	1000
BS2F 2MXV 50-2007		7,5 x2	10 x2	6,9	8,9	6,6	8,6	100	1500
BS2F 2MXV 50-2008		9,2 x2	12,5 x2	8,7	10,2	8,4	9,9	1000	2000
BS2F 2MXV 50-2009		9,2 x2	12,5 x2	10,4	11,9	10,1	11,6	1500	2000
BS2F 2MXV 65-3202/D		4 x2	5,5 x2	2	3	1,7	2,7	1000	2000
BS2F 2MXV 65-3203/C		5,5 x2	7,5 x2	3,3	4,8	2,8	4,3	1500	3000
BS2F 2MXV 65-3204/C		7,5 x2	10 x2	4,5	6,5	4	6	1500	3000
BS2F 2MXV 65-3205/D		11 x2	15 x2	6	8	5,5	7,5	2000	4000
BS2F 2MXV 65-3206/D		11 x2	15 x2	6,5	9,5	6	9	3000	4000
BS2F 2MXV 65-3207/D		15 x2	20 x2	7,5	10,5	7	10	4000	5000
BS2F 2MXV 80-4802/C		5,5 x2	7,5 x2	2	3,2	1,6	2,8	1500	3000
BS2F 2MXV 80-4803/C		7,5 x2	10 x2	3,5	5	3	4,5	2000	3000
BS2F 2MXV 80-4804/D		11 x2	15 x2	4,5	6,5	4	6	3000	4000
BS2F 2MXV 80-4805/D		15 x2	20 x2	6	8	5,5	7,5	4000	5000
BS2F 2MXV 80-4806/D		15 x2	20 x2	6,5	9,5	6	9	5000	-
BS2F 2MXV 80-4807/E		18,5 x2	25 x2	8	11	7,5	10,5	5000	-
BS2F 2MXV 100-6502-2R/A		7,5 x2	10 x2	2,2	2,8	1,9	2,5	3000	-
BS2F 2MXV 100-6502/A		11 x2	15 x2	3,8	4,4	3,5	4,1	-	-
BS2F 2MXV 100-6503-2R/A		15 x2	20 x2	4,3	4,9	4	4,6	-	-
BS2F 2MXV 100-6503/B		18,5 x2	25 x2	5,8	6,7	5,3	6,2	-	-
BS2F 2MXV 100-6504-2R/B		18,5 x2	25 x2	7,2	8,4	6,6	7,8	-	-
BS2F 2MXV 100-6504/A		22 x2	30 x2	7,7	8,9	7,1	8,3	-	-
BS2F 2MXV 100-6505-2R/A		30 x2	40 x2	8,3	9,8	7,5	9	-	-
BS2F 2MXV 100-6505/A		30 x2	40 x2	9,8	11,3	9	10,5	-	-
BS2F 2MXV 100-9002-2R/A		11 x2	15 x2	2,9	3,9	2,4	3,4	-	-
BS2F 2MXV 100-9002/A		15 x2	20 x2	3,7	5,2	3	4,5	-	-
BS2F 2MXV 100-9003-2R/B		18,5 x2	25 x2	4,6	6,1	4,1	5,6	-	-
BS2F 2MXV 100-9003/A		22 x2	30 x2	6,2	7,7	5,4	6,9	-	-
BS2F 2MXV 100-9004-2R/A		30 x2	40 x2	7,4	8,9	6,6	8,1	-	-
BS2F 2MXV 100-9004/A		30 x2	40 x2	8,5	10	7,8	9,3	-	-
BS2F 2MXV 100-9005-2R/A		37 x2	50 x2	9,5	11	8,8	10,3	-	-



## Performance

### BS3F

Mains: 400V 3~ Motor: 400V 3~	Motor		Pressure transducer bar		Vessel Membrane litre	Vessel litre
	kW	HP	min	max		
BS3F 3MXV 25-304 O	0,75 x3	1 x3	3	3,9	60	100
BS3F 3MXV 25-305 O	0,75 x3	1 x3	3,3	4,8	80	100
BS3F 3MXV 25-306 O	1,1 x3	1,5 x3	4,1	5,8	80	100
BS3F 3MXV 25-307 O	1,1 x3	1,5 x3	5	6,7	100	100
BS3F 3MXV 25-308 O	1,5 x3	2 x3	5,9	7,8	100	100
BS3F 3MXV 25-310 O	1,5 x3	2 x3	7,5	9,7	150	200
BS3F 3MXV 25-312 O	2,2 x3	3 x3	10,1	11,6	200	300
BS3F 3MXV 32-504 O	1,1 x3	1,5 x3	3	3,8	300	500
BS3F 3MXV 32-505 O	1,1 x3	1,5 x3	3,2	4,7	200	300
BS3F 3MXV 32-506 O	1,5 x3	2 x3	4	5,7	200	300
BS3F 3MXV 32-507 O	1,5 x3	2 x3	4,9	6,6	300	500
BS3F 3MXV 32-508 O	2,2 x3	3 x3	5,7	7,6	300	500
BS3F 3MXV 32-510 O	2,2 x3	3 x3	7,4	9,5	200	300
BS3F 3MXV 32-512 O	3 x3	4 x3	9,8	11,3	300	500
BS3F 3MXV 40-904 O	1,5 x3	2 x3	3	3,9	500	800
BS3F 3MXV 40-905 O	2,2 x3	3 x3	3,4	4,9	500	800
BS3F 3MXV 40-906 O	2,2 x3	3 x3	4,3	5,9	500	800
BS3F 3MXV 40-907 O	3 x3	4 x3	5,1	6,9	750	1000
BS3F 3MXV 40-908 O	3 x3	4 x3	6	7,9	500	800
BS3F 3MXV 40-910 O	4 x3	5,5 x3	7,8	9,9	500	1000
BS3F 3MXV 40-911 O	4 x3	5,5 x3	9,4	10,9	1000	1500
BS3F 3MXV 50-1503/A	2,2 x3	3 x3	2,7	3,5	750	1500
BS3F 3MXV 50-1504	3 x3	4 x3	3,2	4,7	750	1500
BS3F 3MXV 50-1505	4 x3	5,5 x3	4,3	5,9	750	1500
BS3F 3MXV 50-1506	5,5 x3	7,5 x3	5,3	7,1	750	1500
BS3F 3MXV 50-1507	5,5 x3	7,5 x3	6,4	8,3	750	1500
BS3F 3MXV 50-1508/A	5,5 x3	7,5 x3	7,5	9,6	750	1500
BS3F 3MXV 50-1509	7,5 x3	10 x3	9,3	10,8	750	1500
BS3F 3MXV 50-1510	7,5 x3	10 x3	10,4	11,9	750	1500
BS3F 3MXV 50-2003	3 x3	4 x3	3	3,8	750	1500
BS3F 3MXV 50-2004	4 x3	5,5 x3	3,5	5,1	750	1500
BS3F 3MXV 50-2005	5,5 x3	7,5 x3	4,7	6,4	750	1500
BS3F 3MXV 50-2006	7,5 x3	10 x3	5,8	7,7	750	1500
BS3F 3MXV 50-2007	7,5 x3	10 x3	6,9	8,9	750	1500
BS3F 3MXV 50-2008	9,2 x3	12,5 x3	8,7	10,2	750	1500
BS3F 3MXV 50-2009	9,2 x3	12,5 x3	10,4	11,9	750	1500
BS3F 3MXV 65-3202/D	4 x3	5,5 x3	2,3	3,1	2000	4000
BS3F 3MXV 65-3203/C	5,5 x3	7,5 x3	3,2	4,7	2000	3000
BS3F 3MXV 65-3204/C	7,5 x3	10 x3	4,6	6,3	2000	4000
BS3F 3MXV 65-3205/D	11 x3	15 x3	5,9	7,8	3000	4000
BS3F 3MXV 65-3206/D	11 x3	15 x3	7,3	9,4	3000	5000
BS3F 3MXV 65-3207/D	15 x3	20 x3	9,5	11	-	6000
BS3F 3MXV 80-4802/C	5,5 x3	7,5 x3	2,5	3,3	3000	6000
BS3F 3MXV 80-4803/C	7,5 x3	10 x3	3,4	4,9	2000	4000
BS3F 3MXV 80-4804/D	11 x3	15 x3	4,8	6,6	3000	5000
BS3F 3MXV 80-4805/D	15 x3	20 x3	6,3	8,2	-	6000
BS3F 3MXV 80-4806/D	15 x3	20 x3	7,7	9,8	-	6000
BS3F 3MXV 80-4807/E	18,5 x3	25 x3	10	11,5	-	9000
BS3F 3MXV 100-6502-2R/A	7,5 x3	10 x3	2,6	3,4	-	-
BS3F 3MXV 100-6502/A	11 x3	15 x3	3,2	4,7	-	-
BS3F 3MXV 100-6503-2R/A	15 x3	20 x3	4,1	5,8	-	-
BS3F 3MXV 100-6503/B/A	18,5 x3	25 x3	5,1	6,9	-	-
BS3F 3MXV 100-6504-2R/B	18,5 x3	25 x3	6,1	8,1	-	-
BS3F 3MXV 100-6504/A	22 x3	30 x3	7,2	9,3	-	-
BS3F 3MXV 100-6505-2R/A	30 x3	40 x3	9,1	10,6	-	-
BS3F 3MXV 100-6505/A	30 x3	40 x3	10,3	11,8	-	-
BS3F 3MXV 100-9002-2R/A	11 x3	15 x3	3	3,9	-	-
BS3F 3MXV 100-9002/A	15 x3	20 x3	3,6	5,1	-	-
BS3F 3MXV 100-9003-2R/B	18,5 x3	25 x3	4,7	6,4	-	-
BS3F 3MXV 100-9003/A	22 x3	30 x3	5,8	7,7	-	-
BS3F 3MXV 100-9004-2R/A	30 x3	40 x3	7,1	9,1	-	-
BS3F 3MXV 100-9004/A	30 x3	40 x3	8,7	10,2	-	-
BS3F 3MXV 100-9005-2R/A	37 x3	50 x3	10,1	11,6	-	-

## Performance

### BS..

PUMPS Nos						PUMP TYPE	P <sub>2</sub> For each pump	
1	2	3	4	5	6		kW	HP
BS1V BSM1V	BS2V BS1V1F BSM1V1F* BSM2V**	BS3V BS1V2F	BS4V BS1V3F	BS5V BS1V4F	BS6V BS1V5F		MXV 25-304 O	0,75
						MXV 25-305 O	0,75	1
						MXV 25-306 O	1,1	1,5
						MXV 25-307 O	1,1	1,5
						MXV 25-308 O	1,5	2
						MXV 25-310 O	1,5	2
						MXV 25-312 O	2,2	3
						MXV 32-504 O	1,1	1,5
						MXV 32-505 O	1,1	1,5
						MXV 32-506 O	1,5	2
						MXV 32-507 O	1,5	2
						MXV 32-508 O	2,2	3
						MXV 32-510 O	2,2	3
						MXV 32-512 O	3	4
						MXV 40-904 O	1,5	2
						MXV 40-905 O	2,2	3
						MXV 40-906 O	2,2	3
						MXV 40-907 O	3	4
						MXV 40-908 O	3	4
						MXV 40-910 O	4	5,5
						MXV 40-911 O	4	5,5
						MXV 50-1503/A	2,2	3
						MXV 50-1504	3	4
						MXV 50-1505	4	5,5
						MXV 50-1506	5,5	7,5
						MXV 50-1507	5,5	7,5
						MXV 50-1508/A	5,5	7,5
						MXV 50-1509	7,5	10
						MXV 50-1510	7,5	10
						MXV 50-2003	3	4
						MXV 50-2004	4	5,5
						MXV 50-2005	5,5	7,5
						MXV 50-2006	7,5	10
						MXV 50-2007	7,5	10
						MXV 50-2008	9,2	12,5
						MXV 50-2009	9,2	12,5
						MXV 65-3202/D	4	5,5
						MXV 65-3203/C	5,5	7,5
						MXV 65-3204/C	7,5	10
						MXV 65-3205/D	11	15
						MXV 65-3206/D	11	15
						MXV 65-3207/D	15	20
						MXV 80-4802/C	5,5	7,5
						MXV 80-4803/C	7,5	10
						MXV 80-4804/D	11	15
MXV 80-4805/D	15	20						
MXV 80-4806/D	15	20						
MXV 80-4807/E	18,5	25						
MXV 100-6502-2R/A	7,5	10						
MXV 100-6502/A	11	15						
MXV 100-6503-2R/A	15	20						
MXV 100-6503/B/A	18,5	25						
MXV 100-6504-2R/B	18,5	25						
MXV 100-6504/A	22	30						
MXV 100-6505-2R/A	30	40						
MXV 100-6505/A	30	40						
MXV 100-9002-2R/A	11	15						
MXV 100-9002/A	15	20						
MXV 100-9003-2R/B	18,5	25						
MXV 100-9003/A	22	30						
MXV 100-9004-2R/A	30	40						
MXV 100-9004/A	30	40						
MXV 100-9005-2R/A	37	50						

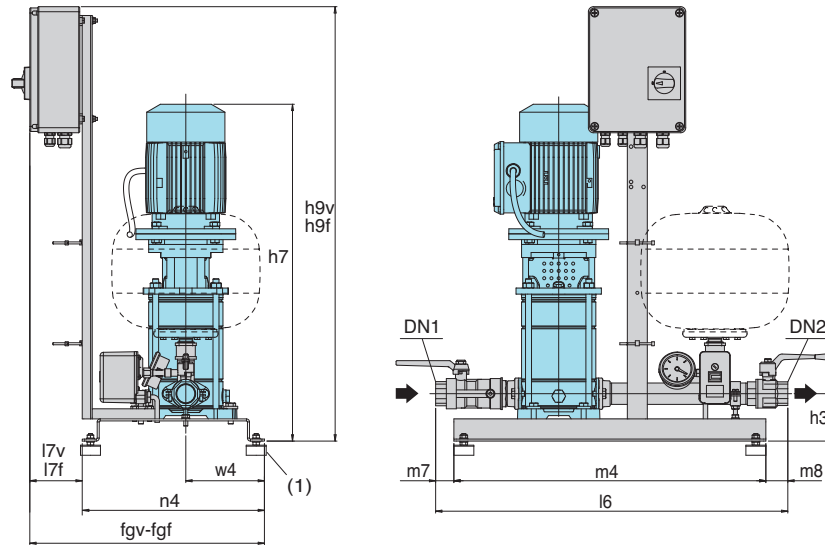
### BS.. ..-ITT

PUMPS Nos		PUMP TYPE	P <sub>2</sub> For each pump	
2	3		kW	HP
BS2V -ITT	BS3V -ITT		MXV 25-304 O-ITT	0,75
		MXV 25-305 O-ITT	0,75	1
		MXV 25-306 O-ITT	1,1	1,5
		MXV 25-307 O-ITT	1,1	1,5
		MXV 25-308 O-ITT	1,5	2
		MXV 25-310 O-ITT	1,5	2
		MXV 25-312 O-ITT	2,2	3
		MXV 32-504 O-ITT	1,1	1,5
		MXV 32-505 O-ITT	1,1	1,5
		MXV 32-506 O-ITT	1,5	2
		MXV 32-507 O-ITT	1,5	2
		MXV 32-508 O-ITT	2,2	3
		MXV 32-510 O-ITT	2,2	3
		MXV 32-512 O-ITT	3	4
		MXV 40-904 O-ITT	1,5	2
		MXV 40-905 O-ITT	2,2	3
		MXV 40-906 O-ITT	2,2	3
		MXV 40-907 O-ITT	3	4
		MXV 40-908 O-ITT	3	4
		MXV 40-910 O-ITT	4	5,5
		MXV 40-911 O-ITT	4	5,5
		MXV 50-1503/A-ITT	2,2	3
		MXV 50-1504-ITT	3	4
		MXV 50-1505-ITT	4	5,5
		MXV 50-1506-ITT	5,5	7,5
		MXV 50-1507-ITT	5,5	7,5
		MXV 50-1508/A-ITT	5,5	7,5
		MXV 50-1509-ITT	7,5	10
		MXV 50-1510-ITT	7,5	10
		MXV 50-2003-ITT	3	4
		MXV 50-2004-ITT	4	5,5
		MXV 50-2005-ITT	5,5	7,5
		MXV 50-2006-ITT	7,5	10
		MXV 50-2007-ITT	7,5	10
		MXV 50-2008-ITT	9,2	12,5
		MXV 50-2009-ITT	9,2	12,5
		MXV 65-3202/D-ITT	4	5,5
		MXV 65-3203/C-ITT	5,5	7,5
		MXV 65-3204/C-ITT	7,5	10
		MXV 65-3205/D-ITT	11	15
		MXV 65-3206/D-ITT	11	15
		MXV 65-3207/D-ITT	15	20
		MXV 80-4802/C-ITT	5,5	7,5
		MXV 80-4803/C-ITT	7,5	10
		MXV 80-4804/D-ITT	11	15
MXV 80-4805/D-ITT	15	20		
MXV 80-4806/D-ITT	15	20		
MXV 80-4807/E-ITT	18,5	25		
MXV 100-6501-ITT	5,5	7,5		
MXV 100-6502-2R/A-ITT	7,5	10		
MXV 100-6502/A-ITT	11	15		
MXV 100-6503-2R/A-ITT	15	20		
MXV 100-6503/B-ITT	18,5	25		
MXV 100-6504-2R/B-ITT	18,5	25		
MXV 100-6504/A-ITT	22	30		
MXV 100-9001/A-ITT	7,5	10		
MXV 100-9002-2R/A-ITT	11	15		
MXV 100-9002/A-ITT	15	20		
MXV 100-9003-2R/B-ITT	18,5	25		
MXV 100-9003/A-ITT	22	30		

(\*) SYSTEMS WITH:  
1 variable speed pump three-phase motor  
1 fixed speed pump single-phase motor  
Power supply to control panel 230 V  
single-phase

(\*\*) Three-phase motor 230 V.  
Power supply to control panel:  
- 230 V three-phase  
- 230 V single-phase  
Frequency converter output is always  
230 V three-phase.

## Dimensions and weights



TYPE	TYPE	Connection		mm														
		DN1	DN2	h9f	h9v	h7	h3	m4	m7	m8	l6	n4	w4	fgf	fgv	l7f	l7v	
BS1. 1 MXV 25-304 O	BSM1. 1 MXV 25-304 O					666												
BS1. 1 MXV 25-305 O	BSM1. 1 MXV 25-305 O					690												
BS1. 1 MXV 25-306 O	BSM1. 1 MXV 25-306 O					714												
BS1. 1 MXV 25-307 O	BSM1. 1 MXV 25-307 O	G 1	G 1	862	1144	738	94	625	15	11	651	365	158	470	574	105	209	
BS1. 1 MXV 25-308 O	BSM1. 1 MXV 25-308 O					762												
BS1. 1 MXV 25-310 O						811												
BS1. 1 MXV 25-312 O						899												
BS1. 1 MXV 32-504 O	BSM1. 1 MXV 32-504 O					666												
BS1. 1 MXV 32-505 O	BSM1. 1 MXV 32-505 O					690												
BS1. 1 MXV 32-506 O	BSM1. 1 MXV 32-506 O					714												
BS1. 1 MXV 32-507 O	BSM1. 1 MXV 32-507 O	G 1 1/4	G 1 1/4	862	1144	738	94	625	37	44	706	365	158	470	574	105	209	
BS1. 1 MXV 32-508 O						802												
BS1. 1 MXV 32-510 O						851												
BS1. 1 MXV 32-512 O						915												
BS1. 1 MXV 40-904 O	BSM1. 1 MXV 40-904 O					711									574		209	
BS1. 1 MXV 40-905 O						781									574		209	
BS1. 1 MXV 40-906 O						811									574		209	
BS1. 1 MXV 40-907 O						857	124	625	87	79	790	365	160	470	574	105	209	
BS1. 1 MXV 40-908 O						887									574		209	
BS1. 1 MXV 40-910 O						947									638		273	
BS1. 1 MXV 40-911 O						977									638		273	

Dimensions not binding to be verified when ordering

(1) Anti-vibration pads kit supplied loose as standard

h9f-l7f= Fixed speed boosting sets  
h9v-l7v= Variable speed boosting sets

## Dimensions and weights

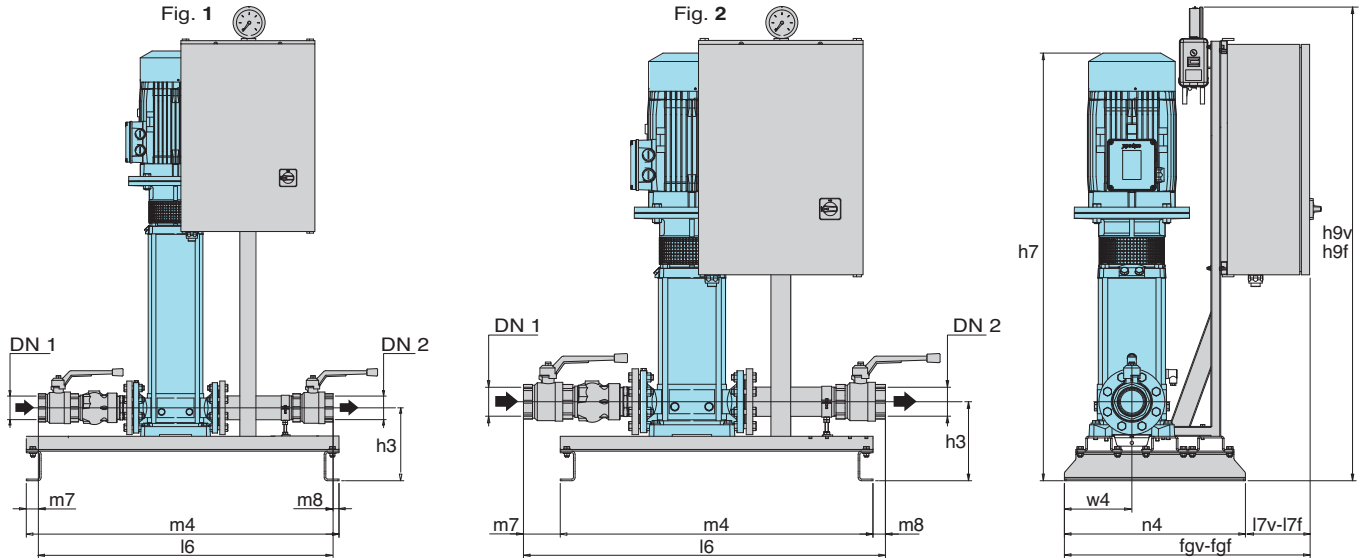
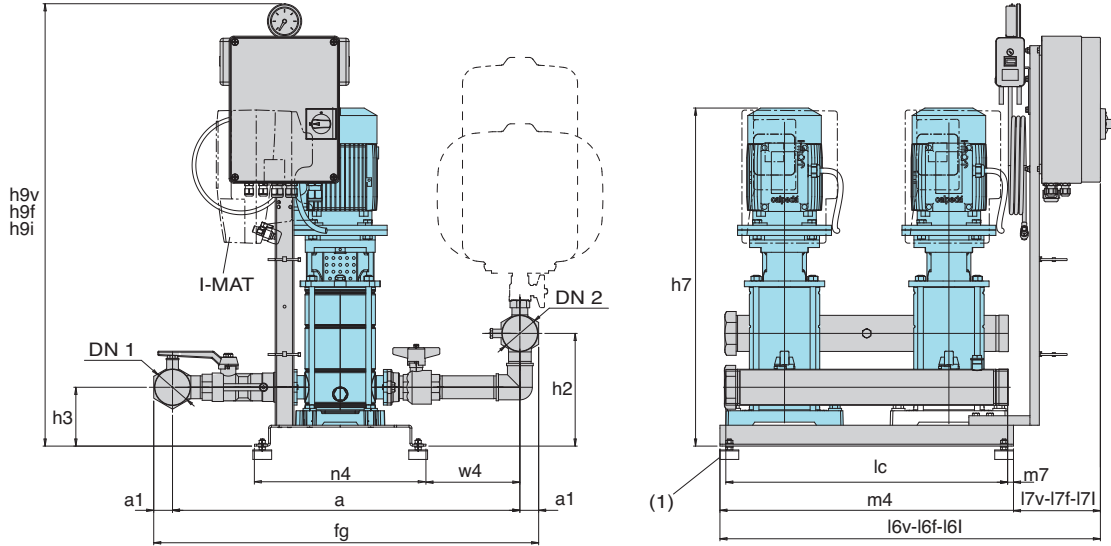


Fig.	TYPE	Connection		mm																
		DN 1	DN 2	h9v	h9f	h7	h3	m4	m7	m8	l6	n4	w4	fgv	fgf	l7v	l7f			
1	BS1. 1MXV 50-1503/A	G 2	G 2	1335	1155	934										681	550	131	0	
	BS1. 1MXV 50-1504			1335	1155	980											681	550	131	0
	BS1. 1MXV 50-1505			1344	1155	1028											745	550	195	0
	BS1. 1MXV 50-1506			1344	1155	1167											745	550	195	0
	BS1. 1MXV 50-1507			1344	1155	1215	225	950	27	4	919	550	205				745	550	195	0
	BS1. 1MXV 50-1508/A			1344	1420	1263											745	695	195	145
	BS1. 1MXV 50-1509			1344	1420	1311											745	695	195	145
1	BS1. 1MXV 50-1510	G 2	G 2	1344	1420	1359									745	695	195	145		
	BS1. 1MXV 50-2003			1335	1155	932										681	550	131	0	
	BS1. 1MXV 50-2004			1344	1155	967										745	550	195	0	
	BS1. 1MXV 50-2005			1344	1155	1119										745	550	195	0	
	BS1. 1MXV 50-2006			1344	1420	1167	225	950	27	4	919	550	205			745	695	195	145	
	BS1. 1MXV 50-2007			1344	1420	1215										745	695	195	145	
	BS1. 1MXV 50-2008			1344	1420	1367										745	695	195	145	
2	BS1. 1MXV 50-2009	G 2 1/2	G 2 1/2	1344	1420	1415								745	695	195	145			
	BS1. 1MXV 65-3202/D			1344	1155	853									745	550	195	0		
	BS1. 1MXV 65-3203/C			1344	1155	947										745	550	195	0	
	BS1. 1MXV 65-3204/C			1344	1420	993	240	950	68	27	1042	550	205			745	695	195	145	
	BS1. 1MXV 65-3205/D			1344	1420	1189										745	695	195	145	
	BS1. 1MXV 65-3206/D			1344	1420	1235										745	695	195	145	
2	BS1. 1MXV 65-3207/D	G 3	G 3	1344	1420	1306								745	695	195	145			
	BS1. 1MXV 80-4802/C			1344	1155	940									745	550	195	0		
	BS1. 1MXV 80-4803/C			1344	1420	1001										745	695	195	145	
	BS1. 1MXV 80-4804/D			1344	1420	1212	240	950	112	38	1100	550	205			745	695	195	145	
	BS1. 1MXV 80-4805/D			1344	1420	1299										745	695	195	145	
	BS1. 1MXV 80-4806/D			1344	1420	1360										745	695	195	145	
	BS1. 1MXV 80-4807/E			1548	1420	1498							685	695	135	145				

Dimensions not binding to be verified when ordering

h9f-fgf-l7f= Fixed speed boosting sets  
h9v-fgv-l7v= Variable speed boosting sets

## Dimensions and weights



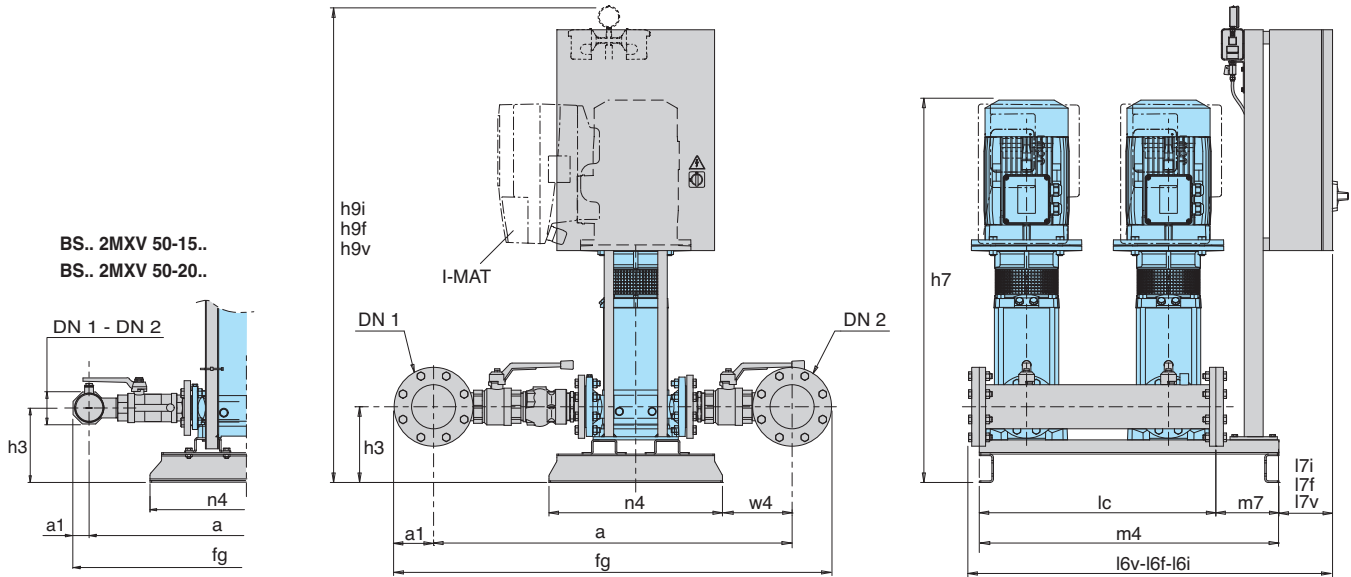
TYPE	TYPE	Connection		mm																			
		DN 1	DN 2	h9f	h9v	h9i	h7	h3	h2	fg	a	a1	n4	w4	lc	m4	m7	l6f	l6v	l6i	l7f	l7v	l7i
BS.. 2MXV 25-304 O (-ITT)	BS.. 2MXV 25-304 O	G 1 1/2	G 1 1/2	864	1252	884	666	94	170	642	589	27	365	140	600	625	13	810	959	825	185	334	200
BS.. 2MXV 25-305 O (-ITT)	BS.. 2MXV 25-305 O						690																
BS.. 2MXV 25-306 O (-ITT)	BS.. 2MXV 25-306 O						714																
BS.. 2MXV 25-307 O (-ITT)	BS.. 2MXV 25-307 O						738																
BS.. 2MXV 25-308 O (-ITT)	BS.. 2MXV 25-308 O						762																
BS.. 2MXV 25-310 O (-ITT)	BS.. 2MXV 25-310 O						811																
BS.. 2MXV 25-312 O (-ITT)	BS.. 2MXV 25-312 O	899																					
BS.. 2MXV 32-504 O (-ITT)	BS.. 2MXV 32-504 O	G 2	G 2	864	1252	884	666	94	186	706	642	32	365	168	600	625	13	810	959	825	185	334	200
BS.. 2MXV 32-505 O (-ITT)	BS.. 2MXV 32-505 O						690																
BS.. 2MXV 32-506 O (-ITT)	BS.. 2MXV 32-506 O						714																
BS.. 2MXV 32-507 O (-ITT)	BS.. 2MXV 32-507 O						738																
BS.. 2MXV 32-508 O (-ITT)							802																
BS.. 2MXV 32-510 O (-ITT)							851																
BS.. 2MXV 32-512 O (-ITT)		915																					
BS.. 2MXV 40-904 O (-ITT)	BS.. 2MXV 40-904 O	G 2 1/2	G 2 1/2	931	1252	884	711	124	238	820	740	40	365	200	600	625	13	810	959	825	185	334	200
BS.. 2MXV 40-905 O (-ITT)							781																
BS.. 2MXV 40-906 O (-ITT)							811																
BS.. 2MXV 40-907 O (-ITT)							857																
BS.. 2MXV 40-908 O (-ITT)							887																
BS.. 2MXV 40-910 O (-ITT)							947																
BS.. 2MXV 40-911 O (-ITT)		1012																					

Dimensions not binding to be verified when ordering

(1) Anti-vibration pads kit supplied loose as standard

h9f-l6f-l7f= Fixed speed boosting sets  
h9v-l6v-l7v= Variable speed boosting sets  
h9i-l6i-l7i= I-MAT boosting sets

## Dimensions and weights

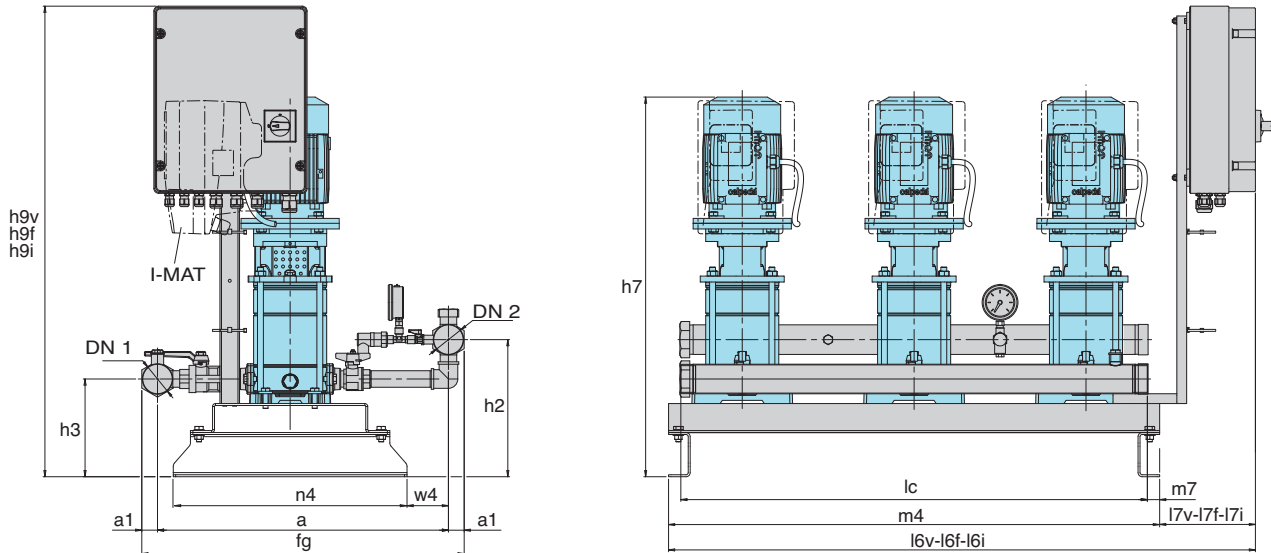


TYPE	Connection		mm																				
	DN1	DN2	h9f	h9v	h9i	h7	h3	fg	a	a1	n4	w4	lc	m4	m7	l6f	l6v	l6i	l7f	l7v	l7i		
BS.. 2MXV 50-1503/A (ITT)	G 3	G 3	1015	1344	975	934										1080	1220	1110	130	270	145		
BS.. 2MXV 50-1504 (ITT)			1015	1344	975	980											1080	1220	1110	130	270	145	
BS.. 2MXV 50-1505 (ITT)			1015	1344	975	1028											1080	1220	1110	130	270	145	
BS.. 2MXV 50-1506 (ITT)			1015	1344	975	1167	225	913	816	48	550	82	700	950	225	1080	1220	1110	130	270	145		
BS.. 2MXV 50-1507 (ITT)			1015	1344	1175	1215										1080	1220	1110	130	270	145		
BS.. 2MXV 50-1508/A (ITT)			1420	1344	1175	1263										1170	1220	1110	220	270	145		
BS.. 2MXV 50-1509 (ITT)			1420	1344	1175	1311										1170	1220	1110	220	270	145		
BS.. 2MXV 50-1510 (ITT)			1420	1344	1175	1359										1170	1220	1110	220	270	145		
BS.. 2MXV 50-2003 (ITT)			G 3	G 3	1015	1344	975	932										1112	1252	1142	130	270	145
BS.. 2MXV 50-2004 (ITT)					1015	1344	975	967											1112	1252	1142	130	270
BS.. 2MXV 50-2005 (ITT)	1015	1344			975	1119	225	913	816	48	550	82	700	950	225	1112	1252	1142	130	270	145		
BS.. 2MXV 50-2006 (ITT)	1420	1344			975	1167										1202	1252	1142	220	270	145		
BS.. 2MXV 50-2007 (ITT)	1420	1344			1175	1215										1202	1252	1142	220	270	145		
BS.. 2MXV 50-2008 (ITT)	1420	1648			1175	1367										1202	1202	1142	220	220	145		
BS.. 2MXV 50-2009 (ITT)	1420	1648			1175	1415										1202	1202	1142	220	220	145		
BS.. 2MXV 65-3202/D (ITT)	100	100			1015	1344	975	853									1114	1254	1144	130	270	145	
BS.. 2MXV 65-3203/C (ITT)					1015	1344	975	947										1114	1254	1144	130	270	145
BS.. 2MXV 65-3204/C (ITT)					1420	1344	975	993	240	1310	1090	110	550	231	750	950	200	1204	1254	1154	220	270	145
BS.. 2MXV 65-3205/D (ITT)			1420	1648	1175	1189										1204	1204	1154	220	220	145		
BS.. 2MXV 65-3206/D (ITT)			1420	1648	1175	1235										1204	1204	1154	220	220	145		
BS.. 2MXV 65-3207/D (ITT)			1420	1648	1175	1306										1204	1204	1154	220	220	145		
BS.. 2MXV 80-4802/C (ITT)	125	125	1015	1344	975	940									1080	1220	1110	130	270	145			
BS.. 2MXV 80-4803/C (ITT)			1420	1344	975	1001										1170	1220	1110	220	270	145		
BS.. 2MXV 80-4804/D (ITT)			1420	1648	1175	1212	240	1441	1191	125	550	279	750	950	200	1170	1170	1120	220	220	145		
BS.. 2MXV 80-4805/D (ITT)			1420	1648	1175	1299										1170	1170	1120	220	220	145		
BS.. 2MXV 80-4806/D (ITT)			1420	1648	1175	1360										1170	1170	1120	220	220	145		
BS.. 2MXV 80-4807/E (ITT)			1420	*	1175	1498										1170	*	1120	220	*	145		
BS.. 2MXV 100-6501/A-ITT	150	150				1302																	
BS.. 2MXV 100-6502-2R/A (ITT)						1394																	
BS.. 2MXV 100-6502/A (ITT)						1534																	
BS.. 2MXV 100-6503-2R/A (ITT)						1651	*	*	*	142,5	*	*	950	*	*								
BS.. 2MXV 100-6503/B (ITT)					*	1705										*	*	*	*	*	*	*	
BS.. 2MXV 100-6504-2R/B (ITT)						1797																	
BS.. 2MXV 100-6504/A (ITT)						1797																	
BS.. 2MXV 100-6505-2R/A						1968																	
BS.. 2MXV 100-6505/A						1968																	
BS.. 2MXV 100-9001/A-ITT			200	200				1306															
BS.. 2MXV 100-9002-2R/A (ITT)						1538																	
BS.. 2MXV 100-9002/A (ITT)						1563																	
BS.. 2MXV 100-9003-2R/B (ITT)						1709																	
BS.. 2MXV 100-9003/A (ITT)					*	1709	370	1883	1543	170	1050	260	950	1300	360	*	*	*	*	*	*	*	
BS.. 2MXV 100-9004-2R/A						1904																	
BS.. 2MXV 100-9004/A						1904																	
BS.. 2MXV 100-9005-2R/A						1997																	

Dimensions not binding to be verified when ordering \* Dimensions on request

h9f-l6f-l7f= Fixed speed boosting sets  
h9v-l6v-l7v= Variable speed boosting sets  
h9i-l6i-l7i= I-MAT boosting sets

## Dimensions and weights



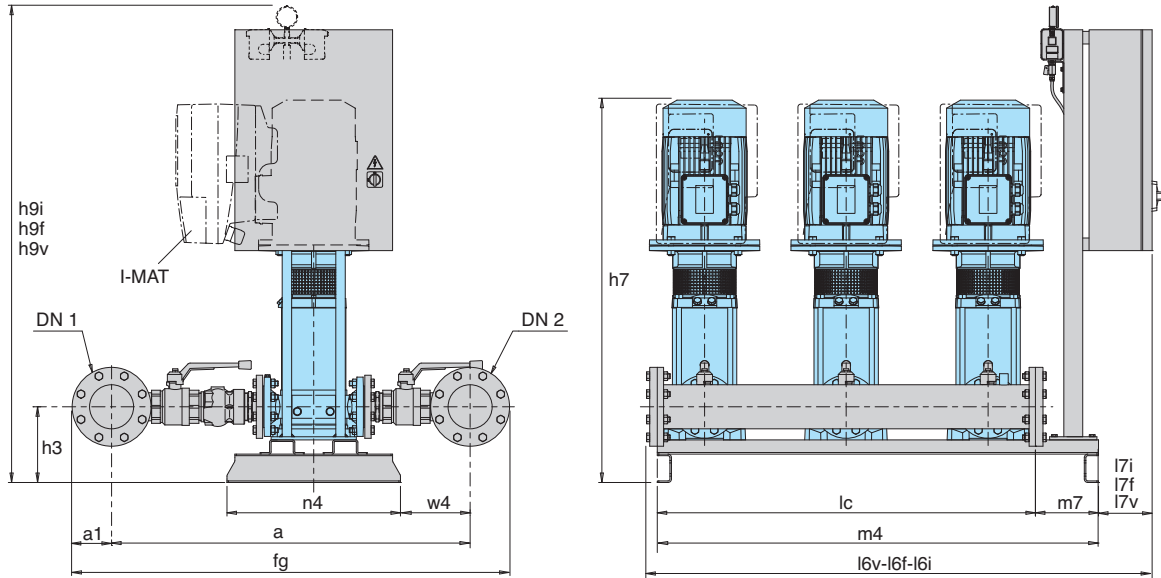
TYPE	Connection		mm																			
	DN 1	DN 2	h9f	h9v	h9i	h7	h3	h2	fg	a	a1	n4	w4	lc	m4	m7	l6f	l6v	l6i	l7f	l7v	l7i
BS.. 3MXV 25-304 O (-ITT)	G 2	G 2	969	1357	989	771	199	279	657	593	32	476	84	950	1000	25	1195	1334	1200	195	334	200
BS.. 3MXV 25-305 O (-ITT)				1357	843	795																
BS.. 3MXV 25-306 O (-ITT)				1357	843	819																
BS.. 3MXV 25-307 O (-ITT)				1449	843	867																
BS.. 3MXV 25-308 O (-ITT)				1449	843	916																
BS.. 3MXV 25-310 O (-ITT)				1449	843	1004																
BS.. 3MXV 25-312 O (-ITT)	G 2 1/2	G 2 1/2	969	1357	989	771	199	299	730	650	40	476	113	950	1000	25	1195	1334	1200	195	334	200
BS.. 3MXV 32-504 O (-ITT)				1357	843	795																
BS.. 3MXV 32-505 O (-ITT)				1449	843	819																
BS.. 3MXV 32-506 O (-ITT)				1449	843	867																
BS.. 3MXV 32-507 O (-ITT)				1449	843	907																
BS.. 3MXV 32-508 O (-ITT)				1449	843	956																
BS.. 3MXV 32-510 O (-ITT)	G 3	G 3	969	1449	989	1020	229	349	842	746	48	476	145	950	1000	25	1195	1334	1200	195	334	200
BS.. 3MXV 32-512 O (-ITT)				1449	843	816																
BS.. 3MXV 40-904 O (-ITT)				1449	843	886																
BS.. 3MXV 40-905 O (-ITT)				1449	843	916																
BS.. 3MXV 40-906 O (-ITT)				1449	843	962																
BS.. 3MXV 40-907 O (-ITT)				1449	843	992																
BS.. 3MXV 40-908 O (-ITT)	G 3	G 3	969	1449	989	1052	229	349	842	746	48	476	145	950	1000	25	1195	1334	1200	195	334	200
BS.. 3MXV 40-910 O (-ITT)				1449	843	1082																
BS.. 3MXV 40-911 O (-ITT)				1449	843	1082																

Dimensions not binding to be verified when ordering

(1) Anti-vibration pads kit supplied loose as standard

h9f-l6f-l7f= Fixed speed boosting sets  
h9v-l6v-l7v= Variable speed boosting sets  
h9i-l6i-l7i= I-MAT boosting sets

## Dimensions and weights



TYPE	Connection		mm																					
	DN1	DN2	h9f	h9v	h9i	h7	h3	fg	a	a1	n4	w4	lc	m4	m7	l6f	l6v	l6i	l7f	l7v	l7i			
BS.. 3MXV 50-1503/A (ITT)	100	100	1020	1408	1040	1005										1572	1652	1577	140	220	145			
BS.. 3MXV 50-1504 (ITT)			1020	1408	1040	1051											1572	1652	1577	140	220	145		
BS.. 3MXV 50-1505 (ITT)			1020	1408	1040	1099											1572	1652	1577	140	220	145		
BS.. 3MXV 50-1506 (ITT)			1220	1408	1240	1239											1572	1652	1577	140	220	145		
BS.. 3MXV 50-1507 (ITT)			1220	1408	1240	1287	296	1100	880	110	550	94	1200	1400	200		1572	1652	1577	140	220	145		
BS.. 3MXV 50-1508/A (ITT)			1408	*	1240	1335											1652	1652	1577	220	220	145		
BS.. 3MXV 50-1509 (ITT)			1408	*	1240	1382											1652	1652	1577	220	220	145		
BS.. 3MXV 50-1510 (ITT)			1408	*	1240	1430											1652	1652	1577	220	220	145		
BS.. 3MXV 50-2003 (ITT)			100	100	1020	1408	1040	1003										1572	1652	1577	140	220	145	
BS.. 3MXV 50-2004 (ITT)					1020	1408	1040	1038											1572	1652	1577	140	220	145
BS.. 3MXV 50-2005 (ITT)	1020	1408			*	1190											1572	1652	1577	140	220	145		
BS.. 3MXV 50-2006 (ITT)	1408	*			1240	1238	296	1100	880	110	550	94	1200	1400	200		1572	1652	1577	140	220	145		
BS.. 3MXV 50-2007 (ITT)	1408	*			1240	1286											1572	1652	1577	140	220	145		
BS.. 3MXV 50-2008 (ITT)	*	*			*	1438											1652	QA	1577	220	QA	145		
BS.. 3MXV 50-2009 (ITT)	*	*			*	1486											1652	QA	1577	220	QA	145		
BS.. 3MXV 65-3202/D (ITT)	125	125			1500	1593	1020	903										1574	1654	1579	140	220	145	
BS.. 3MXV 65-3203/C (ITT)					1500	1593	1020	997											1574	1654	1579	140	220	145
BS.. 3MXV 65-3204/C (ITT)					1500	1593	1020	1043											1574	1654	1579	140	220	145
BS.. 3MXV 65-3205/D (ITT)			1713	QA	1220	1239	291	1406	1156	125	550	284	1200	1400	200		1654	QA	1579	220	QA	145		
BS.. 3MXV 65-3206/D (ITT)			1713	QA	1220	1285											1654	QA	1579	220	QA	145		
BS.. 3MXV 65-3207/D (ITT)			1713	QA	1388	1356											1654	QA	1704	220	QA	270		
BS.. 3MXV 80-4802/C (ITT)	150	150	1500	1593	1020	990										1577	1657	1582	140	220	145			
BS.. 3MXV 80-4803/C (ITT)			1500	1593	1020	1051											1577	1657	1582	140	220	145		
BS.. 3MXV 80-4804/D (ITT)			1713	QA	1220	1262	291	1525	1240	142,5	550	313	1200	1400	200		1657	QA	1582	220	QA	145		
BS.. 3MXV 80-4805/D (ITT)			1713	QA	1388	1349											1657	QA	1707	220	QA	270		
BS.. 3MXV 80-4806/D (ITT)			1713	QA	1388	1410											1657	QA	1707	220	QA	270		
BS.. 3MXV 80-4807/E (ITT)			1713	QA	1388	1548											*	QA	1707	*	QA	270		
BS.. 3MXV 100-6501/A-ITT	200	200				1322																		
BS.. 3MXV 100-6502-2R/A (ITT)						1414																		
BS.. 3MXV 100-6502/A (ITT)						1554																		
BS.. 3MXV 100-6503-2R/A (ITT)						1671																		
BS.. 3MXV 100-6503/B (ITT)			*	*	*	1725	386	1658	1318	170	900	65	1500	1650	175		*	*	*	*	*	*	*	
BS.. 3MXV 100-6504-2R/B (ITT)						1817																		
BS.. 3MXV 100-6504/A (ITT)						1817																		
BS.. 3MXV 100-6505-2R/A						1988																		
BS.. 3MXV 100-6505/A						1988																		
BS.. 2MXV 100-9001/A-ITT			200	200				1326																
BS.. 3MXV 100-9002-2R/A (ITT)						1558																		
BS.. 3MXV 100-9002/A (ITT)						1583																		
BS.. 3MXV 100-9003-2R/B (ITT)						1729																		
BS.. 3MXV 100-9003/A (ITT)	*	*			*	1729	390	1901	1561	170	1050	280	1500	1850	360		*	*	*	*	*	*	*	
BS.. 3MXV 100-9004-2R/A						1924																		
BS.. 3MXV 100-9004/A						1924																		
BS.. 3MXV 100-9005-2R/A						2017																		

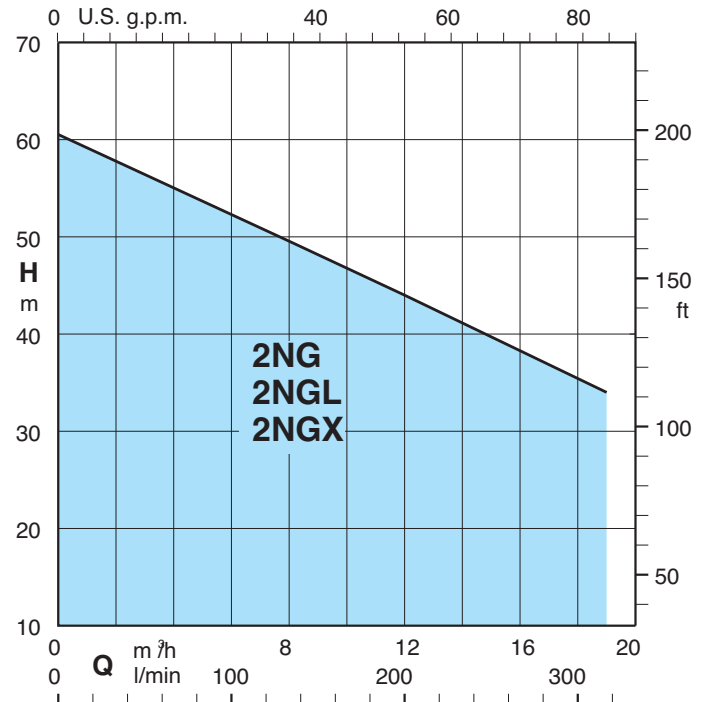
Dimensions not binding to be verified when ordering \* Dimensions on request  
QA Cabinet version

h9f-l6f-l7f= Fixed speed boosting sets  
h9v-l6v-l7v= Variable speed boosting sets  
h9i-l6i-l7i= I-MAT boosting sets





### Coverage chart



### Construction

Automatic pressure boosting plant consisting of two pumps complete with ball, non return valve on the suction side and ball valves on the discharge side.

Suction and delivery manifolds are in AISI 304 stainless steel.

Connections are located on the delivery manifold for the installation of two 20/24 litres vessels.

#### Electrical control boards:

- with microprocessor for fixed speed pump units.

The unit includes one pressure gauge and two adjustable differential pressure switches.

### Operation

#### BS 2F Fixed speed pump

Depending on the reduction of the pressure in the system, the pressure switches determine the starting up of the pumps in sequence and the microprocessor alternates the starts.

### Applications

For drawing water out a well.

As pressure boosting pump to increase water pressure when needed (follow local rules).

### Motors

2-pole induction motors, 50 Hz,  $n \approx 2900$  rpm.

- Three-phase 230/400V  $\pm 10\%$ , suitable for operation with frequency converter;

- Single-phase 230 V  $\pm 10\%$ , with thermal protector.

Insulation class F.

Protection IP 54.

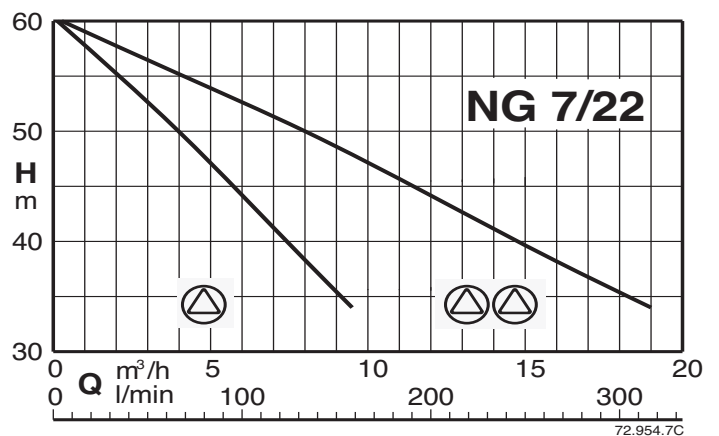
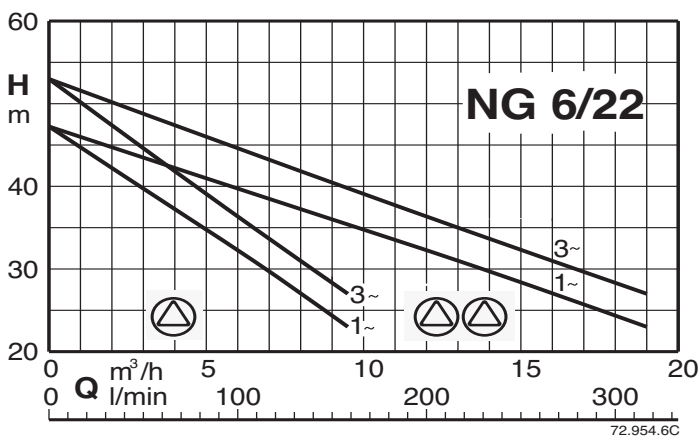
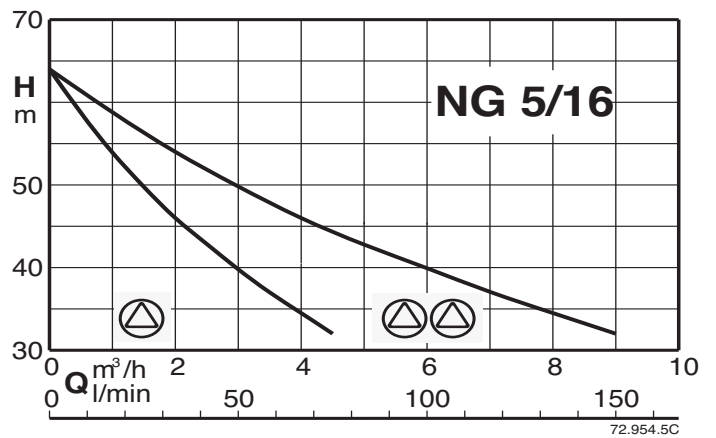
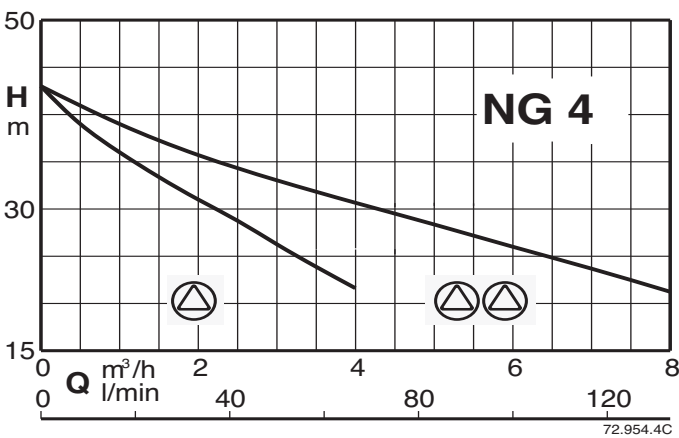
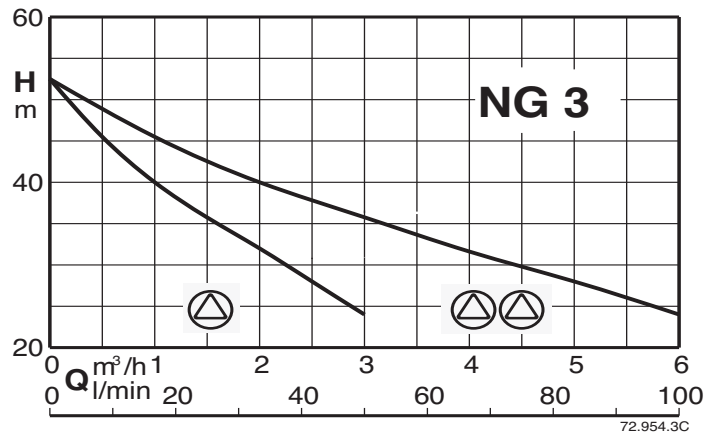
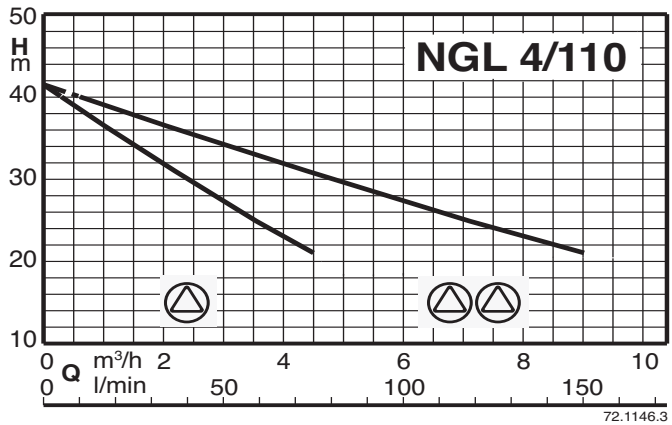
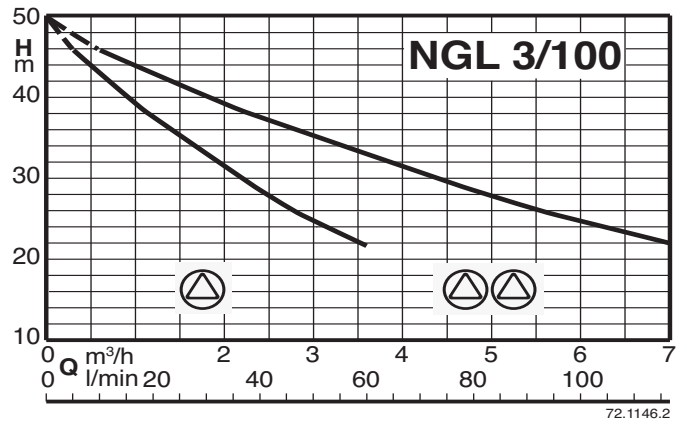
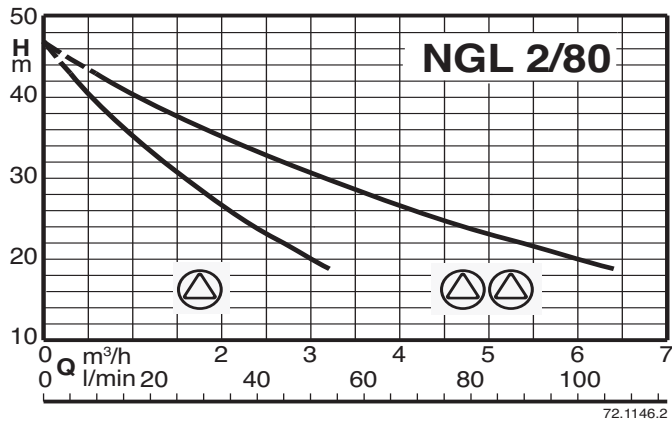
Constructed in accordance with: IEC 60034.

Other voltages and frequencies on request.

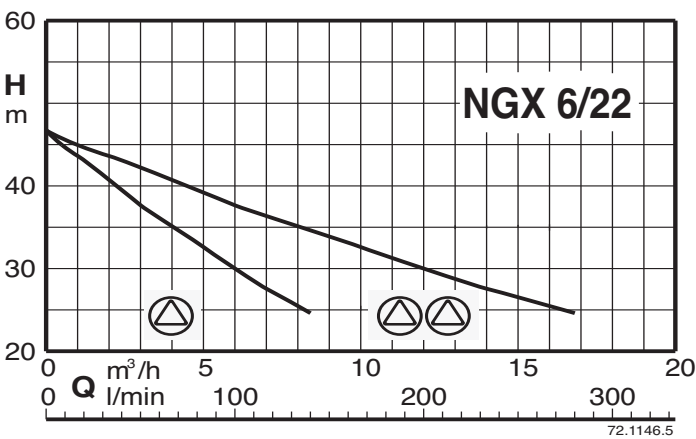
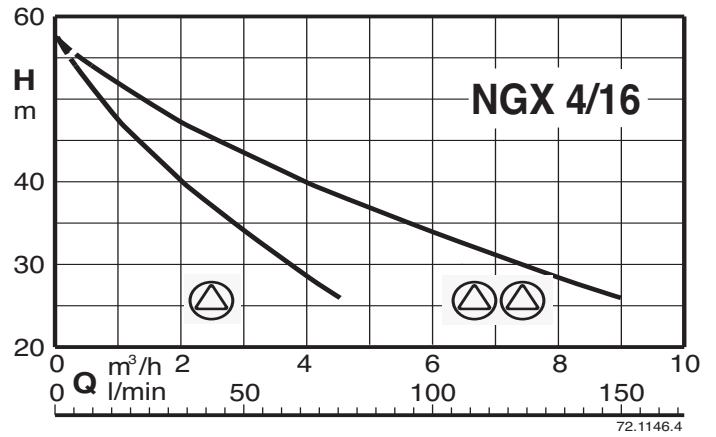
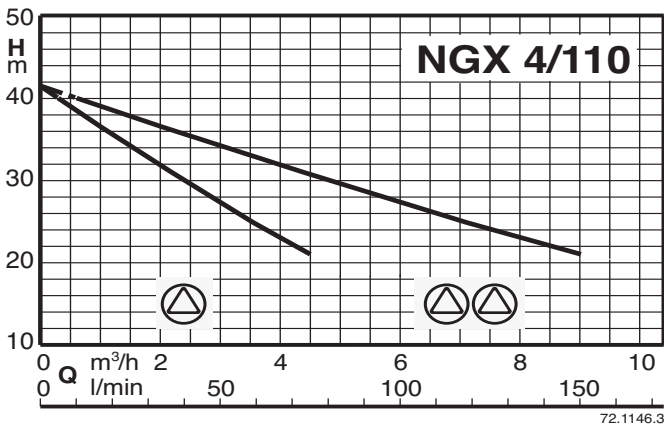
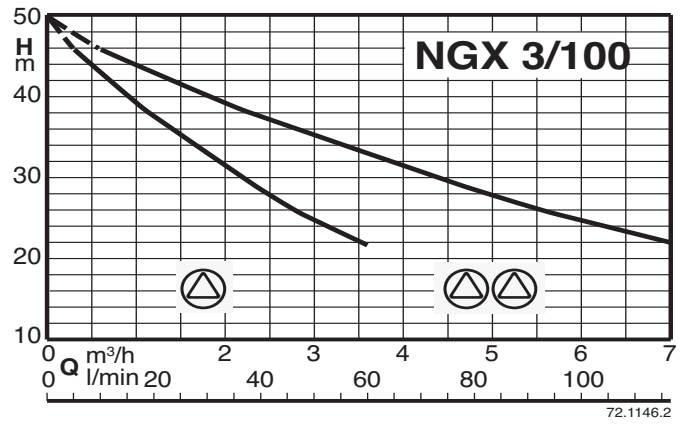
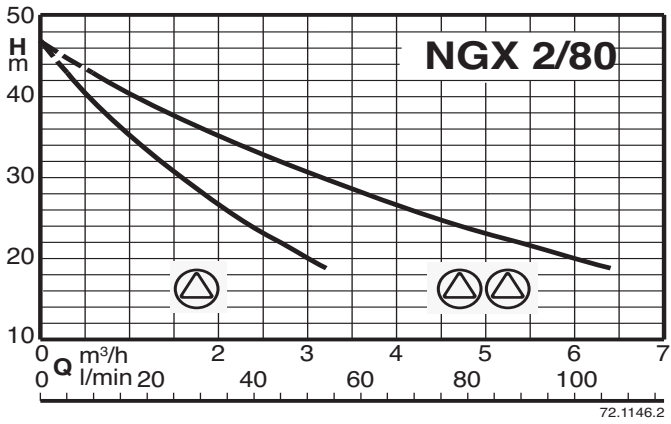
### Vessels (on request)

Capacity 20/24 litres, membrane type, air precharged.

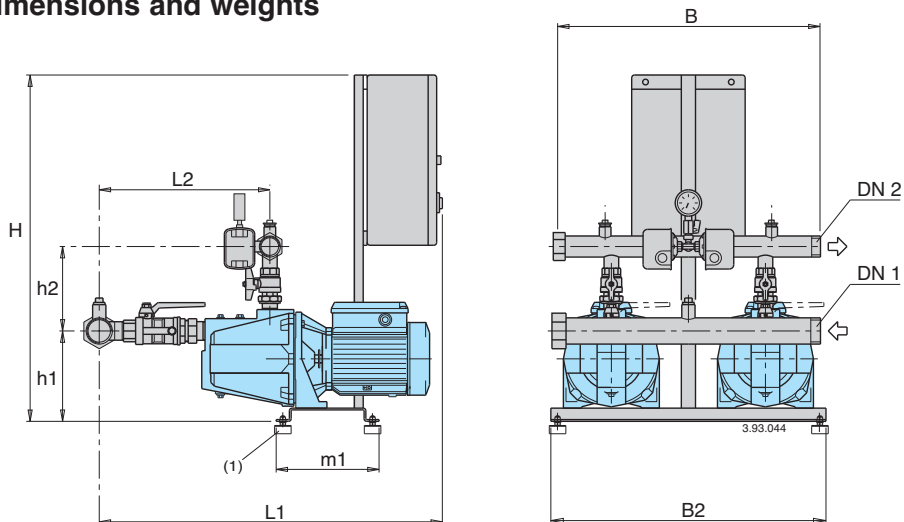
## Coverage chart



## Coverage chart



### Characteristic, dimensions and weights



### BS2F      BSM2F

Mains: 400V 3~ Motor: 400V 3~	Mains: 230V 1~ Motor: 230V 1~	Motor		Q max* l/min	Pres. switch setting		Connection		mm							Weight kg	Vessel		
		kW	HP		bar	bar	DN1	DN2	H	h1	h2	L1	L2	m1	B2		B	Mem. litre	Vessel litre
BS2F 2NGL 2/80/A	BSM2F 2NGLM 2/80/A	0,55+0,55	0,75+0,75	100	2,4÷3,6	2,0÷3,2	G 2	G 1 1/2	840	151	206	793	355				42	24x2	100
BS2F 2NGL 3/100	BSM2F 2NGLM 3/100	0,65+0,65	0,9+0,9	110	2,8÷4,0	2,4÷3,6	G 2	G 1 1/2	840	151	206	793	355	235	625	600	46	24x2	100
BS2F 2NGL 4/110	BSM2F 2NGLM 4/110	0,75+0,75	1+1	150	2,4÷3,6	2,0÷3,2	G 2	G 1 1/2	840	151	206	793	355				49	24x2	100

\* Maximum pumps flow at minimum set pressure of 2<sup>nd</sup> pressure switch.

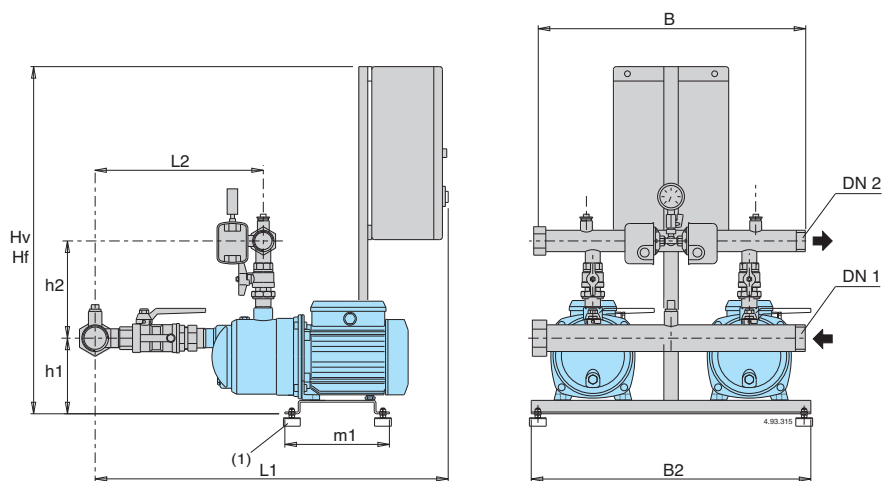
Dimensions not binding to be verified when ordering

### BS2F      BSM2F

Mains: 400V 3~ Motor: 400V 3~	Mains: 230V 1~ Motor: 230V 1~	Motor		Q max* l/min	Pres. switch setting		Connection		mm							Weight kg	Mem. litre	Vessel litre	
		kW	HP		bar	bar	DN1	DN2	H	h1	h2	L1	L2	m1	B2				B
BS2F 2NG 3/A	BSM2F 2NGM 3/A	0,55+0,55	0,75+0,75	95	3,0÷4,2	2,5÷3,7	G 2	G 1 1/2	840	184	188	775	345				61	24x2	100
BS2F 2NG 4/B	BSM2F 2NGM 4/A	0,75+0,75	1+1	130	2,4÷3,6	2,0÷3,2	G 2	G 1 1/2	840	184	188	775	345				62	24x2	100
BS2F 2NG 5/16/A	BSM2F 2NGM 5/16E	1,1+1,1	1,5+1,5	140	3,8÷5,3	3,4÷4,9	G 2 1/2	G 1 1/2	840	200	202	935	470	235	625	600	86	24x2	100
	BSM2F 2NGM 6/22E	1,5+1,5	2+2	290	3,0÷4,2	2,5÷3,7	G 2 1/2	G 1 1/2	840	200	202	935	470				89	100	200
BS2F 2NG 6/22/A		1,5+1,5	2+2	290	3,2÷4,5	2,8÷4,0	G 2 1/2	G 1 1/2	840	200	202	935	470				90	100	200
BS2F 2NG 7/22/B		2,2+2,2	3+3	300	3,8÷5,3	3,4÷4,9	G 2 1/2	G 1 1/2	840	200	202	935	470				92	200	300

\* Maximum pumps flow at minimum set pressure of 2<sup>nd</sup> pressure switch.

Dimensions not binding to be verified when ordering



### BS2F      BSM2F

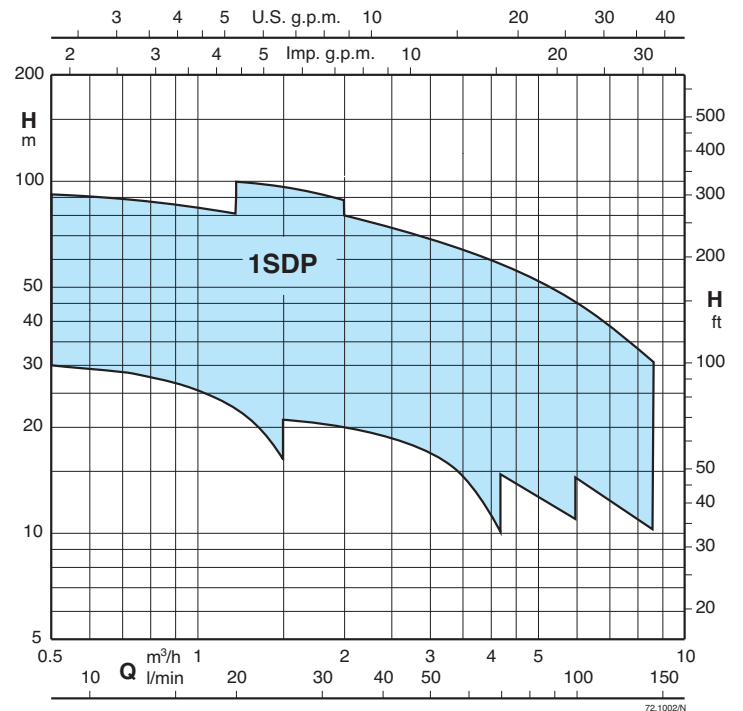
Mains: 400V 3~ Motor: 400V 3~	Mains: 230V 1~ Motor: 230V 1~	Motor		Q max* l/min	Pres. switch setting		Connection		mm							Weight kg	Mem. litre	Vessel litre	
		kW	HP		bar	bar	DN1	DN2	H	h1	h2	L1	L2	m1	B2				B
BS2F 2NGX 2/80/A	BSM2F 2NGXM 2/80/A	0,65+0,65	0,9+0,9	110	2,8÷4,0	2,4÷3,6	G 2	G 1 1/2	840	151	206	793	355				42	24x2	100
BS2F 2NGX 4/110	BSM2F 2NGXM 4/110	0,75+0,75	1+1	150	2,4÷3,6	2,0÷3,2	G 2	G 1 1/2	840	151	206	793	355	235	625	600	46	24x2	100
BS2F 2NGX 4/16	BSM2F 2NGXM 4/16	1,1+1,1	1,5+1,5	130	3,4÷4,9	3,0÷4,5	G 2	G 1 1/2	840	187	212	836	380				49	24x2	100
BS2F 2NGX 6/22/A	BSM2F 2NGXM 6/22	1,5+1,5	2+2	280	3,0÷4,2	2,5÷3,7	G 2	G 1 1/2	840	187	212	836	380				61	24x2	100
																	65	100	200

\* Maximum pumps flow at minimum set pressure of 2<sup>nd</sup> pressure switch.

Dimensions not binding to be verified when ordering



Coverage chart



## Operation

### BS1V Pressure boosting sets with 1 variable speed pump (with EASYMAT).

Depending on water consumption, one pump is activated, at variable speed, in order to guarantee the quantity of water required at the set pressure.



#### CONSTANT PRESSURE MODE:

the system keeps the pressure constant when the quantity of water requested by the user changes.



#### FIXED SPEED MODE:

the system works at a fixed speed that user can choose according to his need.

## Execution

Constant pressure boosting sets with **EASYMAT** frequency converter made of 1 pump, ball valve, non return valve and pressure gauge on delivery side.

Suitable for installation of pressure vessel on delivery side.

## Applications

For drawing water out of a well

As pressure boosting pump for central water systems with low pressure (follow local specifications if increasing network pressure)

## Motors

2-pole induction motors, 50Hz,  $n \approx 2900$  rpm, suitable for operation with frequency converter

- Three-phase 230V +/-10%

Class F insulation

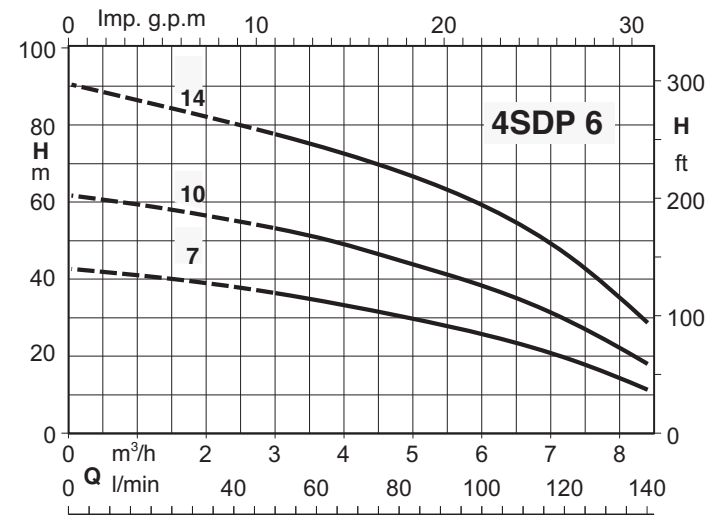
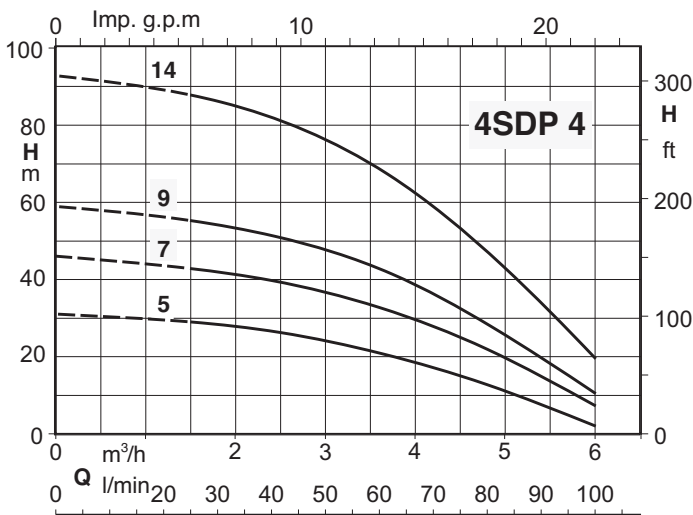
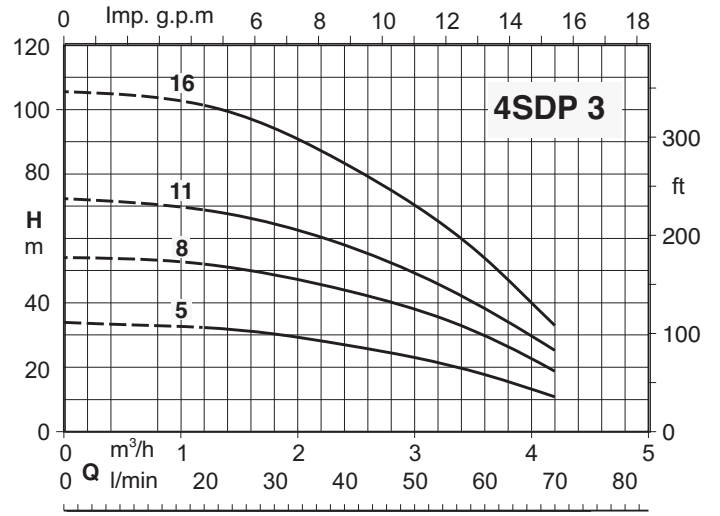
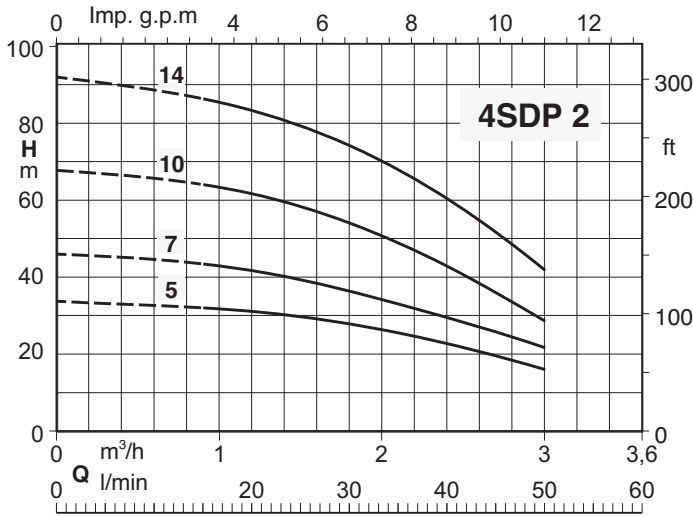
IP 68 protection

Execution according IEC 60034

Other voltages on demand

## Pressure vessels (on demand)

## Coverage chart



## Characteristic and dimensions

	Mains: 1~ 230V Motor: 3~ 230V		P <sub>2</sub>		DN 1	DN 2
	mains A	motor A	kW	HP		
BSM1V 14SDP 2/5-EMT	2.5	1.9	0,37	0,5	Rp 1" 1/4	Rp 1" 1/4
BSM1V 14SDP 2/7-EMT	2.5	1.9	0,37	0,5	Rp 1" 1/4	Rp 1" 1/4
BSM1V 14SDP 2/10-EMT	3.7	2.8	0,55	0,75	Rp 1" 1/4	Rp 1" 1/4
BSM1V 14SDP 2/14-EMT	4.8	3.5	0,75	1	Rp 1" 1/4	Rp 1" 1/4
BSM1V 14SDP 3/5-EMT	2.5	1.9	0,37	0,5	Rp 1" 1/4	Rp 1" 1/4
BSM1V 14SDP 3/8-EMT	3.7	2.8	0,55	0,75	Rp 1" 1/4	Rp 1" 1/4
BSM1V 14SDP 3/11-EMT	4.8	3.5	0,75	1	Rp 1" 1/4	Rp 1" 1/4
BSM1V 14SDP 3/16-EMT	6.8	4.9	1,1	1.5	Rp 1" 1/4	Rp 1" 1/4
BSM1V 14SDP 4/5-EMT	2.5	1.9	0,37	0,5	Rp 1" 1/4	Rp 1" 1/4
BSM1V 14SDP 4/7-EMT	3.7	2.8	0,55	0,75	Rp 1" 1/4	Rp 1" 1/4
BSM1V 14SDP 4/9-EMT	4.8	3.5	0,75	1	Rp 1" 1/4	Rp 1" 1/4
BSM1V 14SDP 4/14-EMT	6.8	4.9	1,1	1.5	Rp 1" 1/4	Rp 1" 1/4
BSM1V 14SDP 6/7-EMT	4.8	3.5	0,75	1	Rp 2"	Rp 1" 1/2
BSM1V 14SDP 6/10-EMT	6.8	4.9	1,1	1.5	Rp 2"	Rp 1" 1/2
BSM1V 14SDP 6/14-EMT	9.5	6.8	1,5	2	Rp 2"	Rp 1" 1/2

