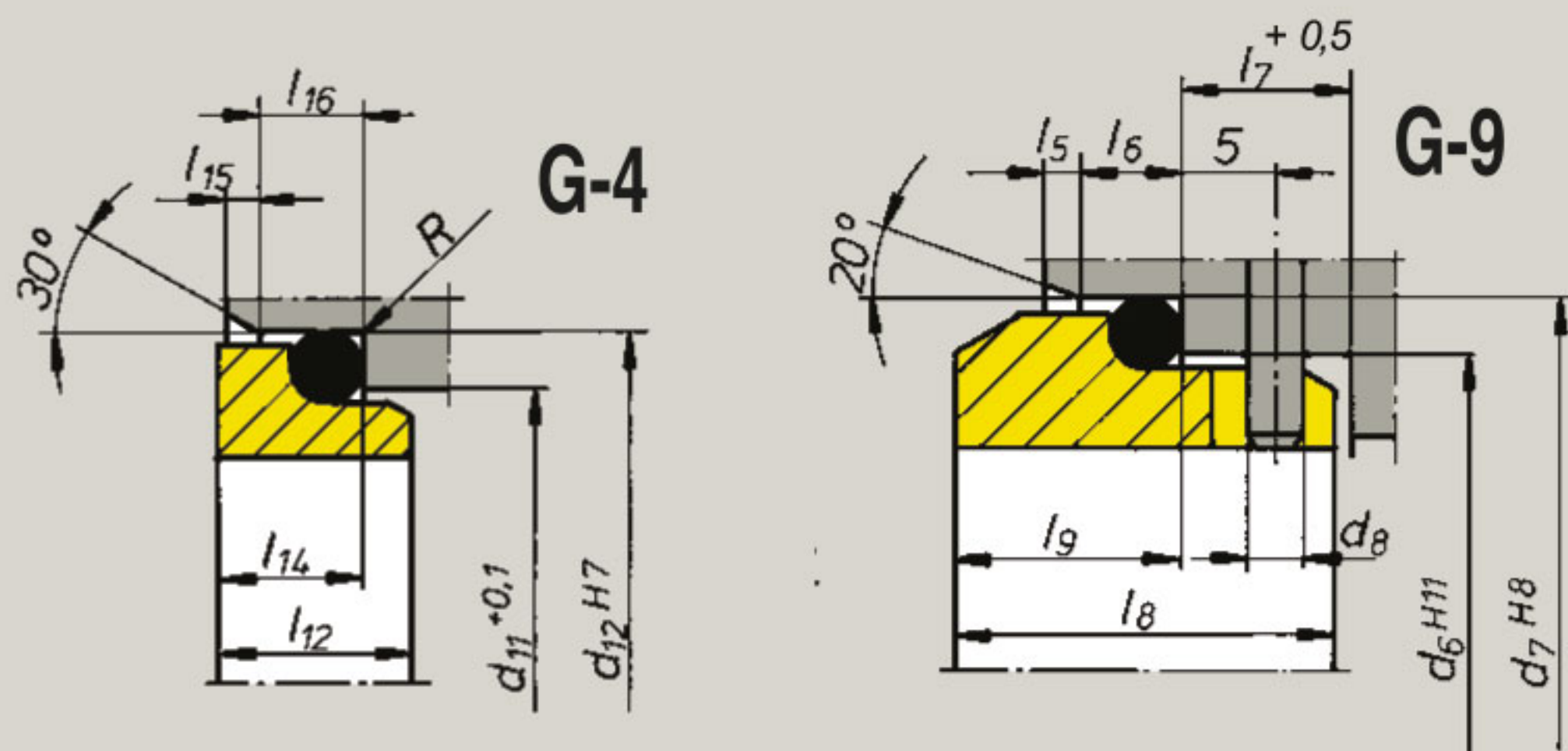


Product Description	Technical Features	Operating Range	Material
---------------------	--------------------	-----------------	----------

- | | | | |
|---|---|--|--|
| <ul style="list-style-type: none"> ▶ 1,1-Seal face ▶ 1,2-Bellows) ▶ 1,3-Spring ▶ 1,4-Housing ▶ 2-Stationary Seat ▶ 3-O-Ring (For stationary seal) | <ul style="list-style-type: none"> ▶ Single Seal ▶ Unbalanced ▶ Rubber bellows Independent of rotation direction | <ul style="list-style-type: none"> ▶ $d_1 = 14 - 100\text{mm}$ ▶ $p = 40 \text{ bar}$ ▶ $t = -50 / 220 \text{ }^\circ\text{C}$ ▶ $V_g = 15 \text{ m/sn}$ | <ul style="list-style-type: none"> ▶ Rotary seal faces: Silicon carbide, Carbon, ▶ Stationary seal faces: Chromuim Nickle 316 ti Silicon carbide, Ceramic, ▶ Elastomers : Viton (FKM), EPDM, Nitril (NBR) Silicon |
|---|---|--|--|

Stationary Seat Alternatives

- ▶ G-4 G-9



d	D	D1	L	L1	d	D	D1	L	L1
14	24	25	23.0	12.0	48	64	66	32.0	13.0
16	26	27	23.0	12.0	50	66	70	34.0	13.5
18	32	33	24.0	13.5	53	69	73	34.0	13.5
20	34	35	24.0	13.5	55	71	75	34.0	13.5
22	36	37	24.0	13.5	58	78	78	39.0	13.5
24	38	39	26.7	13.5	60	80	80	39.0	13.5
25	39	40	27.0	13.0	63	83	83	39.0	13.5
28	42	43	30.0	12.5	65	85	85	39.0	13.5
30	44	45	30.5	12.0	68	88	90	39.0	13.5
32	46	48	30.5	12.0	70	90	92	45.5	14.5
33	47	48	30.5	12.0	75	95	97	45.5	14.5
35	49	50	30.5	12.0	80	104	105	45.0	15.0
38	54	56	32.0	13.0	85	109	110	45.0	15.0
40	56	58	32.0	13.0	90	110	115	50.0	15.0
43	59	61	32.0	13.0	95	119	120	50.0	15.0
45	61	63	32.0	13.0	100	124	125	50.0	15.0