

# NCE(D) H.F Energy saving circulating pumps with flanges



## Construction

Energy saving variable speed circulating pump driven by a permanent magnet synchronous motor (pm) controlled by on board inverter.

## Applications

Heating and conditioning systems.

## Operating conditions

- Liquid temperature from +2 °C to +110 °C
- Ambient temperature from 0 °C to +40 °C
- Maximum permissible working pressure: 10 bar
- Storage: -20°C/+70°C max. relative humidity 95% at 40 °C
- Certifications: in conformity with CE requirements
- Sound pressure  $\leq$  40 dB (A).
- Minimum suction pressure:
  - 0,05 bar at 75 °C
  - 0,28 bar a 90 °C.
- Maximum glycol quantity: 20%.
- EMC according to: EN 55014-1, EN 55014-2  
EN 61000-3-2, EN 61000-3-2.
- Connections: Flanges according to PN 6/10, EN 1092-2, DN 32, 40, 50.
- The benchmark for most efficient circulators is  $EEL \leq 0,20$ .

## Motor

Synchronous motor with permanent magnet.

- Motor: variable speed
- Standard voltage: single-phase 230 V (-10%;+6%)
- Frequency: 50/60 Hz
- Protection: IP 44
- Insulation class: F
- Overload protection (integrated).
- Cable: phases and neutral.
- Constructed in accordance with: EN 60335-1, EN 60335-2-51.

## Special features on request

Additional module (included with NCEDH. F):

- Modbus
- Ethernet
- analog input 0-10V
- remote on/off input
- output relay

## Designation

NCE(D) H 40 F - 60 / 220

Series \_\_\_\_\_

Twin pumps version \_\_\_\_\_

Version \_\_\_\_\_

DN ports in mm \_\_\_\_\_

With flanges \_\_\_\_\_

Max. head in dm \_\_\_\_\_

connection size mm \_\_\_\_\_

## Features

### Smart pump

NCE H.F adapt its functions to the system: the circulator measures the pressure and the flow and adjusts the speed to the selected pressure.

### Easy use

There are different operating modes selectable from the control panel.

# NCE(D) H.F Energy saving circulating pumps with flanges



## Operating modes



### Automatic mode

(factory setting):

In this mode the pump automatically sets the operating pressure, depending on the hydraulic system. This mode is recommended in most systems.



### Proportional pressure mode:

The circulator changes the pressure proportionally to the current flow. The pressure value can be adjusted with the + and - buttons.



### Constant pressure mode:

The circulator maintains the pressure constant when the reference flow changes. The pressure value can be adjusted with the + and - buttons.



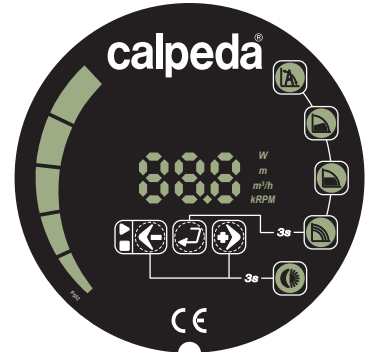
### Fixed speed mode:

The circulator works with constant curve and the curve could be changed using + e - buttons.



### Night mode:

When the liquid temperature fall by 15-20°C the pump automatically swiches to night mode, in practice the circulator works at minimum curve. When the temperature rises again the pump comes back to the selected mode. The night mode could be selected with any operating mode.



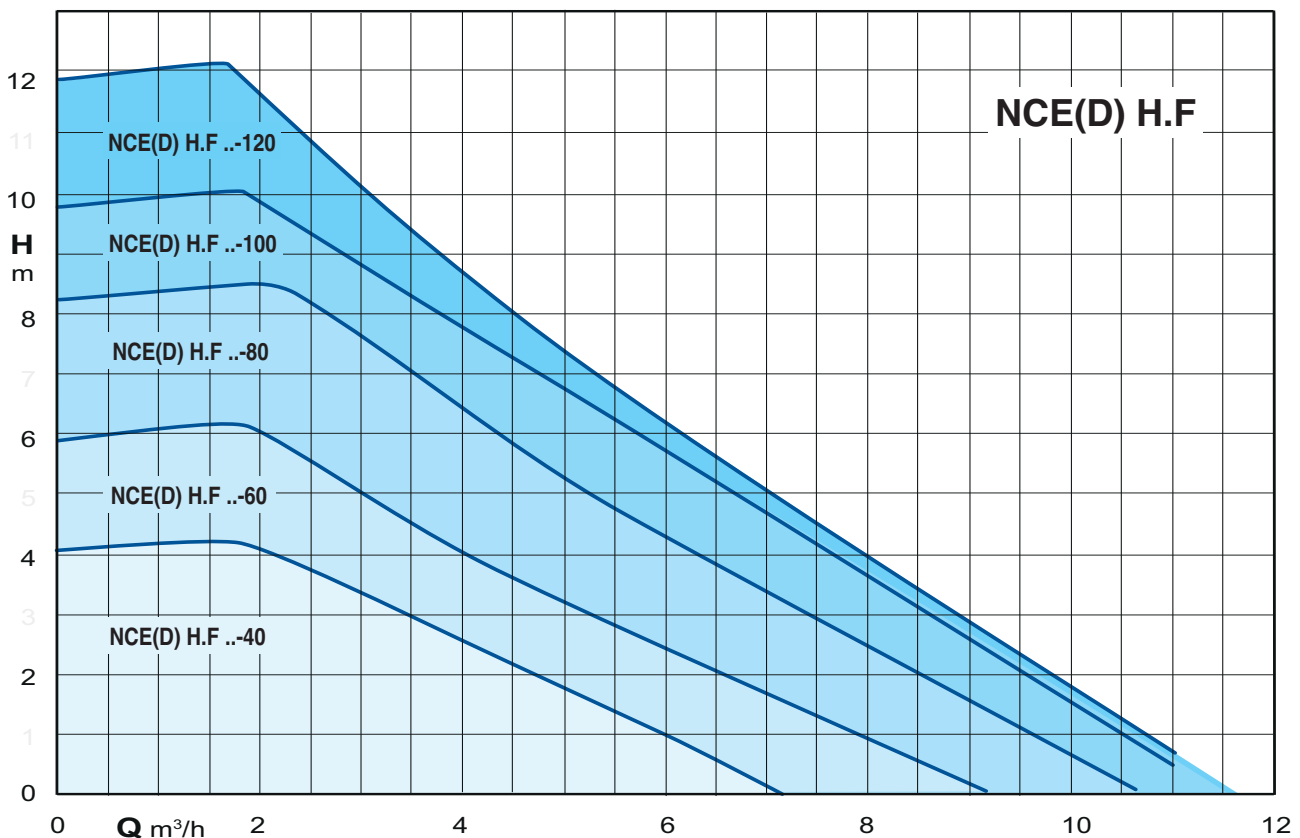
### Operating mode-control panel

NCE(D) H.F could works in:

- automatic mode
- proportional pressure mode
- constant pressure mode
- fixed speed mode
- night mode

The night mode could be selected with any operating mode.

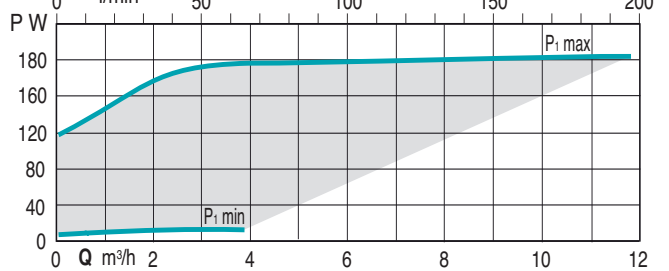
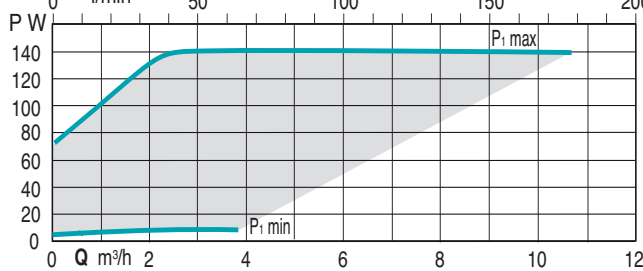
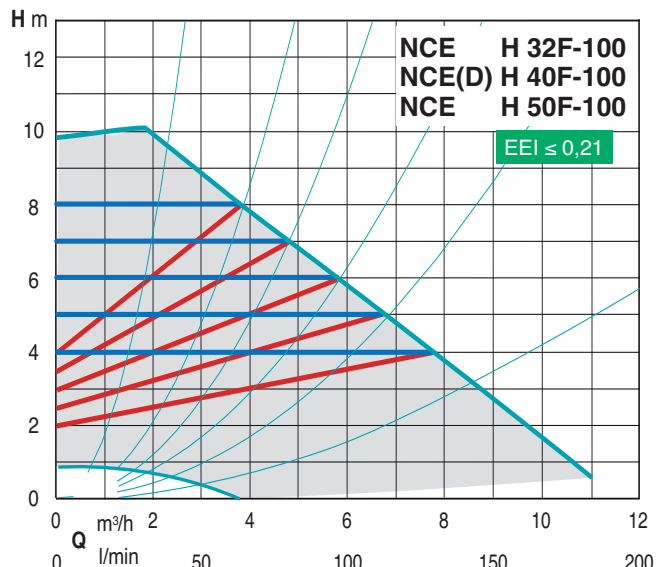
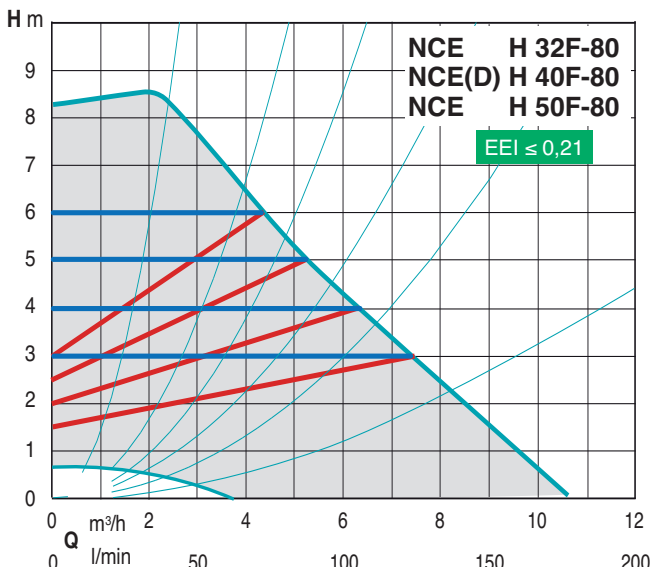
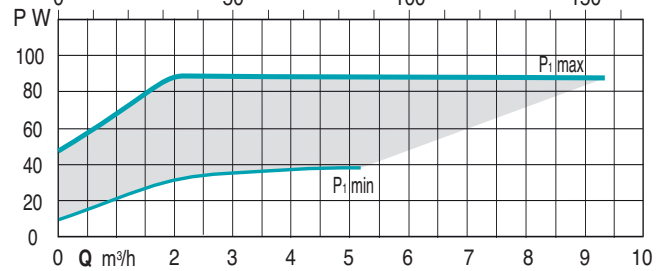
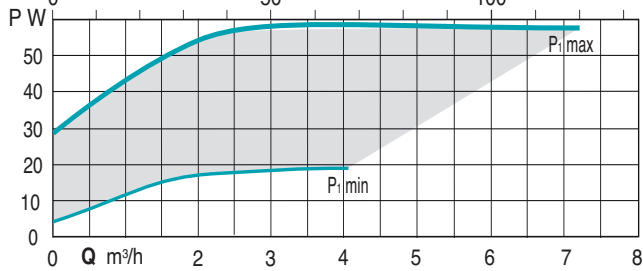
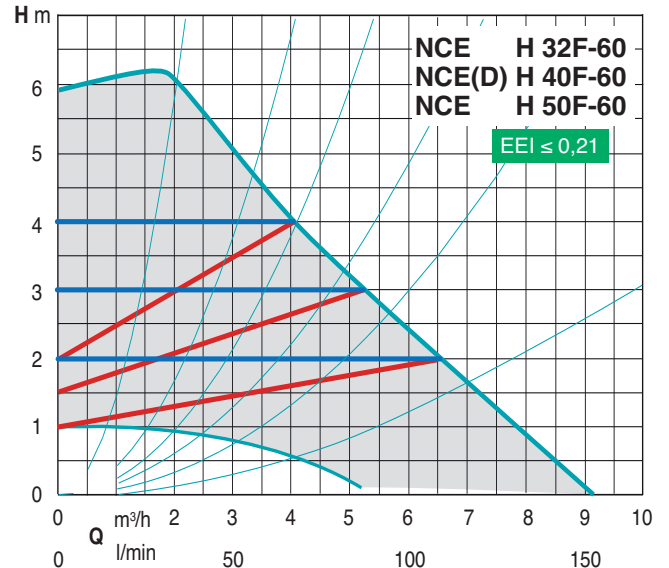
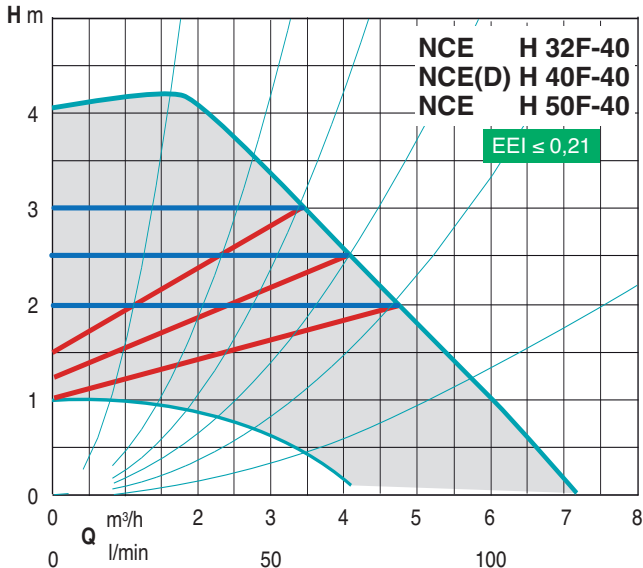
## Coverage chart



# NCE(D) H.F Energy saving circulating pumps with flanges



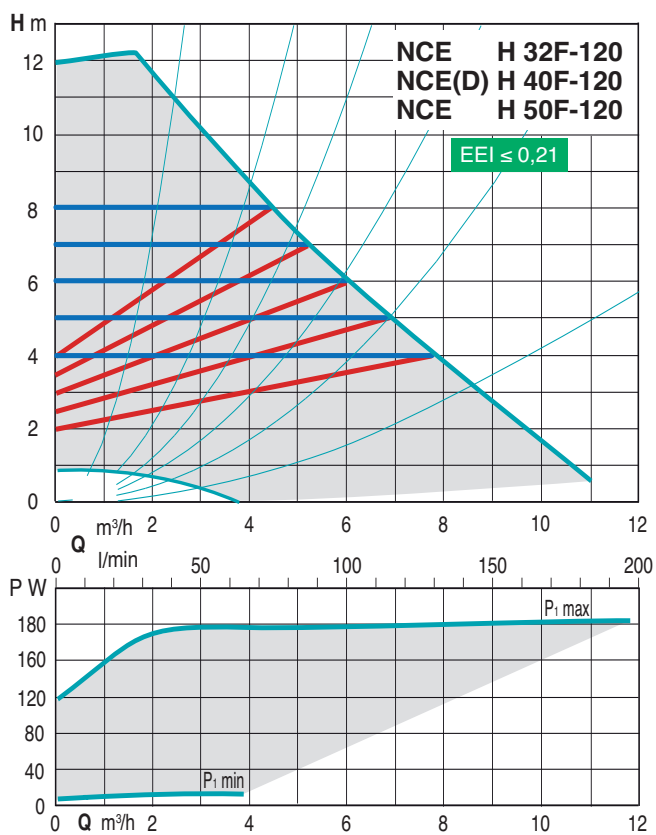
## Characteristic curves



# NCE(D) H.F Energy saving circulating pumps with flanges

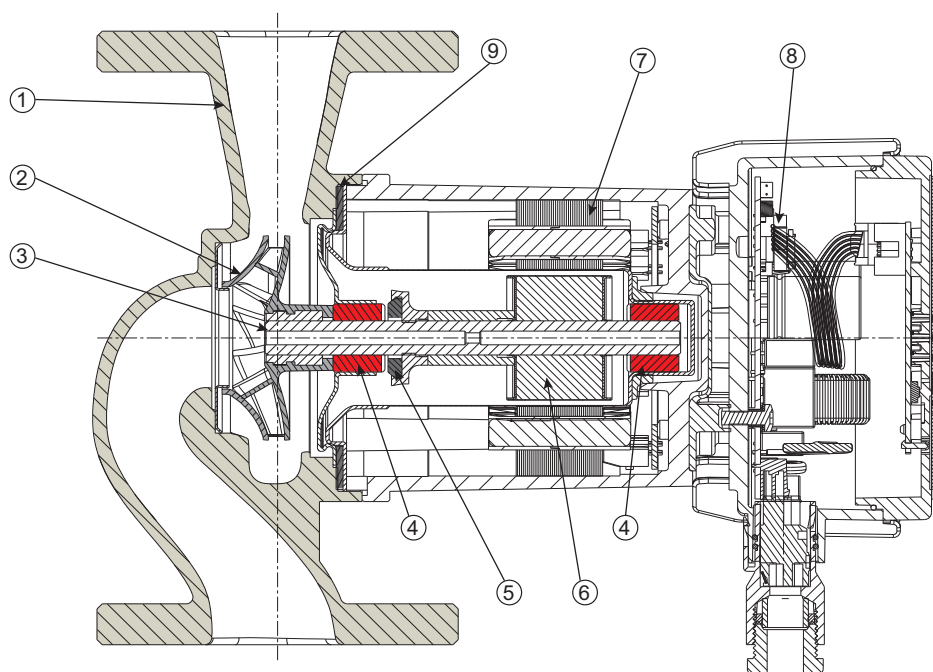


## Characteristic curves



## Materials

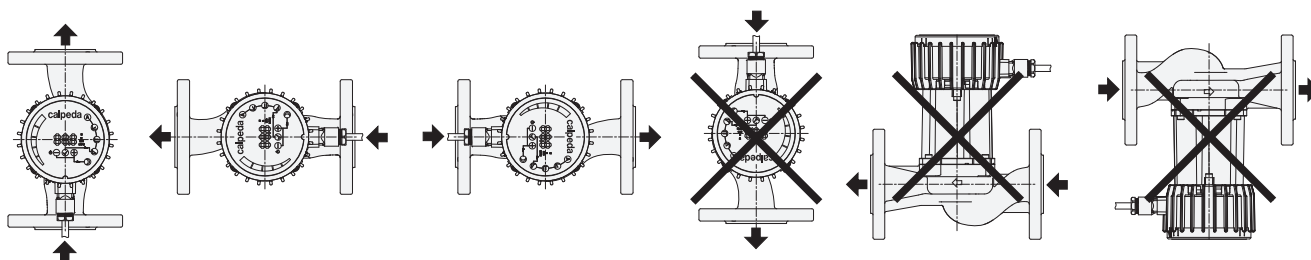
Component	Pos.	Material
Pump casing	1	Cast iron GJL 200 EN 1561
Impeller	2	Composite
Shaft	3	Stainless steel
Bearings	4	Carbon
Thrust bearing	5	Ceramic
Rotor	6	Stainless steel jacket
Winding	7	Copper wire
Electronic card	8	-
Gasket	9	EPDM



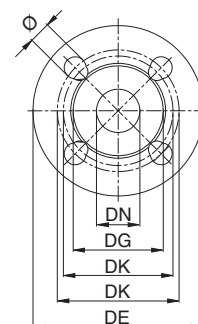
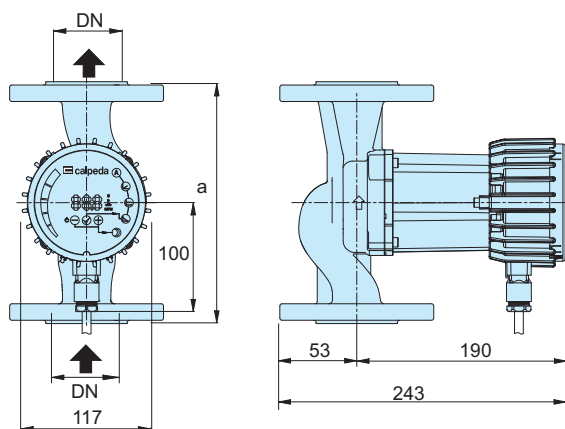
# NCE(D) H.F Energy saving circulating pumps with flanges



## Examples of installations



## Dimensions and weights



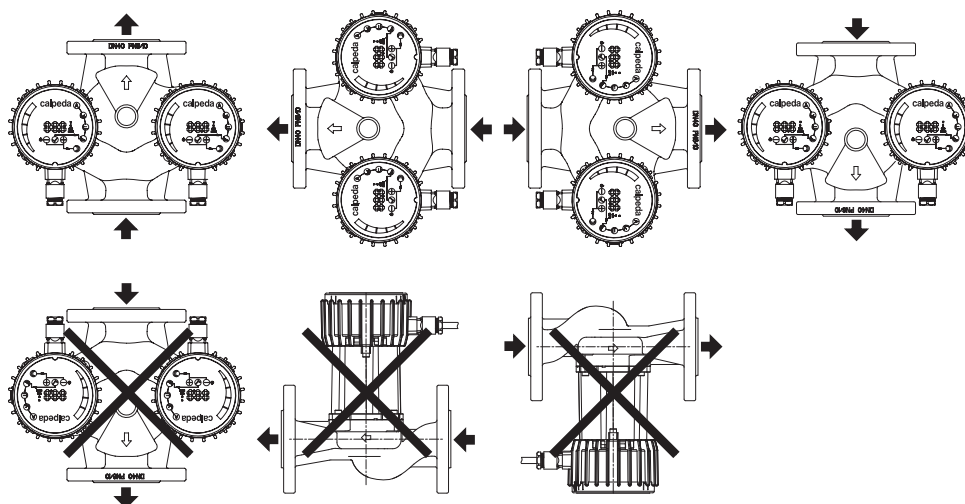
TYPE	DN	H m	Q m <sup>3</sup> /h	1~ 230 V		P <sub>1</sub>		a mm	kg
				A min	A max	W min	W max		
NCE H 32F-40/220	32	4	5	0,1	0,5	10	60	220	7,4
NCE H 40F-40/220	40							220	8,5
NCE H 50F-40/240	50							240	9,8
NCE H 32F-60/220	32	5	7,5	0,1	0,75	10	90	220	7,4
NCE H 40F-60/220	40							220	8,5
NCE H 50F-60/240	50							240	9,8
NCE H 32F-80/220	32	8	9	0,1	1,15	10	140	220	7,4
NCE H 40F-80/220	40							220	8,5
NCE H 50F-80/240	50							240	9,8
NCE H 32F-100/220	32	10	11	0,1	1,5	10	180	220	7,4
NCE H 40F-100/220	40							220	8,5
NCE H 50F-100/240	50							240	9,8
NCE H 32F-120/220	32	12	15	0,1	1,5	10	180	220	7,9
NCE H 40F-120/220	40							220	8,7
NCE H 50F-120/240	50							240	10

DN	DE	DK	DG	holes	
				N.	Ø
32	140	90/100	74	4	14/19
40	150	100/110	80	4	14/19
50	165	110/125	90	4	14/19

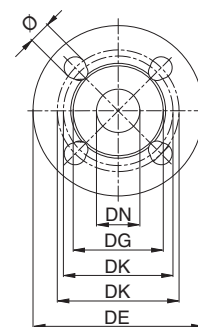
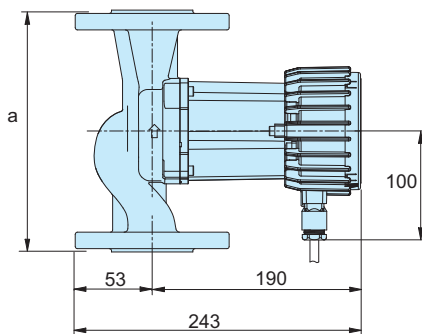
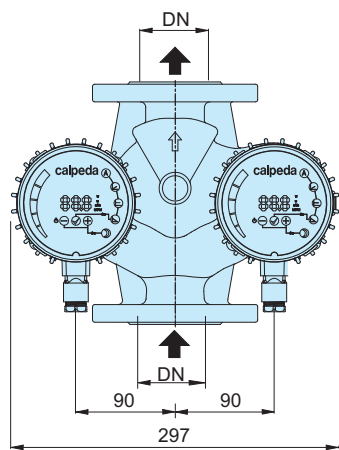
# NCE(D) H.F Energy saving circulating pumps with flanges



## Examples of installations



## Dimensions and weights



TYPE	DN	H m	Q m <sup>3</sup> /h	1~ 230 V		P <sub>1</sub>		a mm	kg
				A min	A max	W min	W max		
<b>NCED H 40F-40/220</b>	40	4	5	0,1	0,5	10	60	220	11,3
<b>NCED H 40F-60/220</b>	40	5	7,5	0,1	0,75	10	90	220	11,3
<b>NCED H 40F-80/220</b>	40	8	9	0,1	1,15	10	140	220	11,3
<b>NCED H 40F-100/220</b>	40	10	11	0,1	1,5	10	180	220	11,3
<b>NCED H 40F-120/220</b>	40	12	15	0,1	1,5	10	180	220	11,3

DN	DE	DK	DG	holes	
				N.	Ø
32	140	90/100	74	4	14/19
40	150	100/110	80	4	14/19
50	165	110/125	90	4	14/19