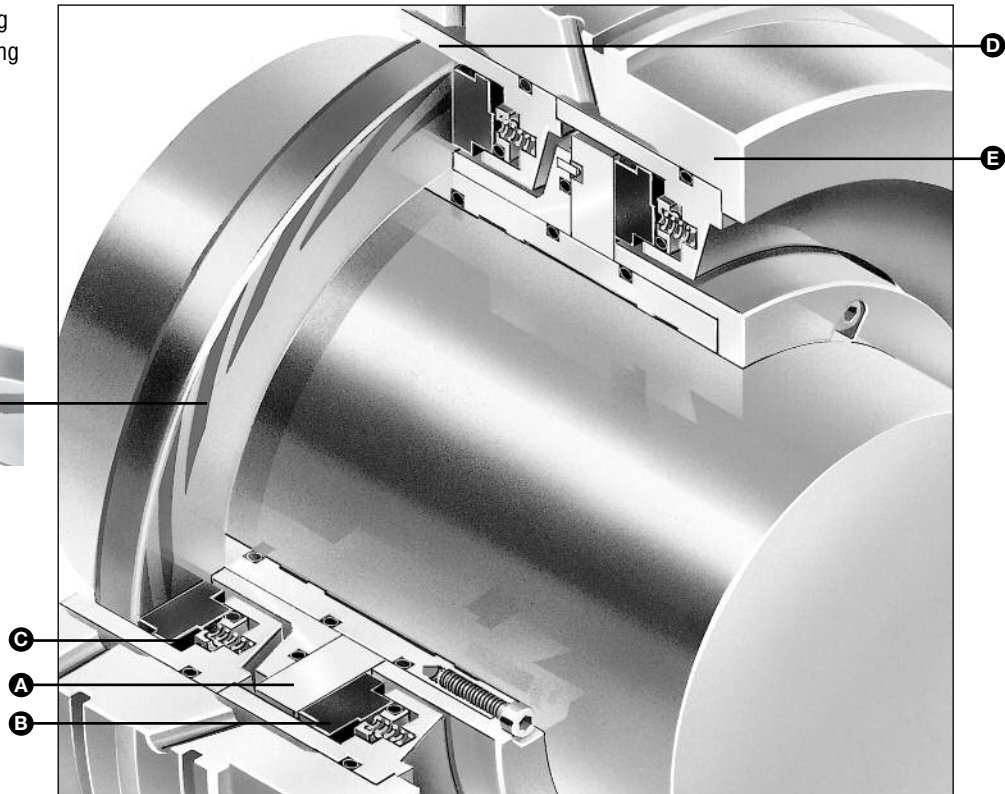


- A – Seat/Mating Ring
- B – Face/Primary Ring
- C – Spring
- D – Retainer
- E – Gland

Spiral Groove Face



Product Description

Utilizing proven spiral groove technology, the Type 28VL harnesses the rotational energy of the pump shaft to vaporize the process fluid at a controlled rate, creating a stable gas film that lubricates the seal faces.

- Typical problems, such as dry-running wear, vapor lock in the seal chamber, and “face popping” (which can lead to catastrophic failure of conventional wet seals), are eliminated by the Type 28VL non-contacting seal technology.
- For use on pumps where the process fluid is at or near its point of vaporization.

Performance Capabilities *

- Temperature: -40°C to 204°C/-40°F to 400°F
- Pressure: up to 124 bar g/1800 psig per seal face
- Speed: up to 180 m/s / 590 ft./sec.
- End play/axial float allowance: $\pm 3.175\text{mm}/0.125\text{''}$
- Runout/out of squareness: $0.051\text{mm}/0.002\text{''}$

*For applications exceeding the standard design conditions, consult John Crane.

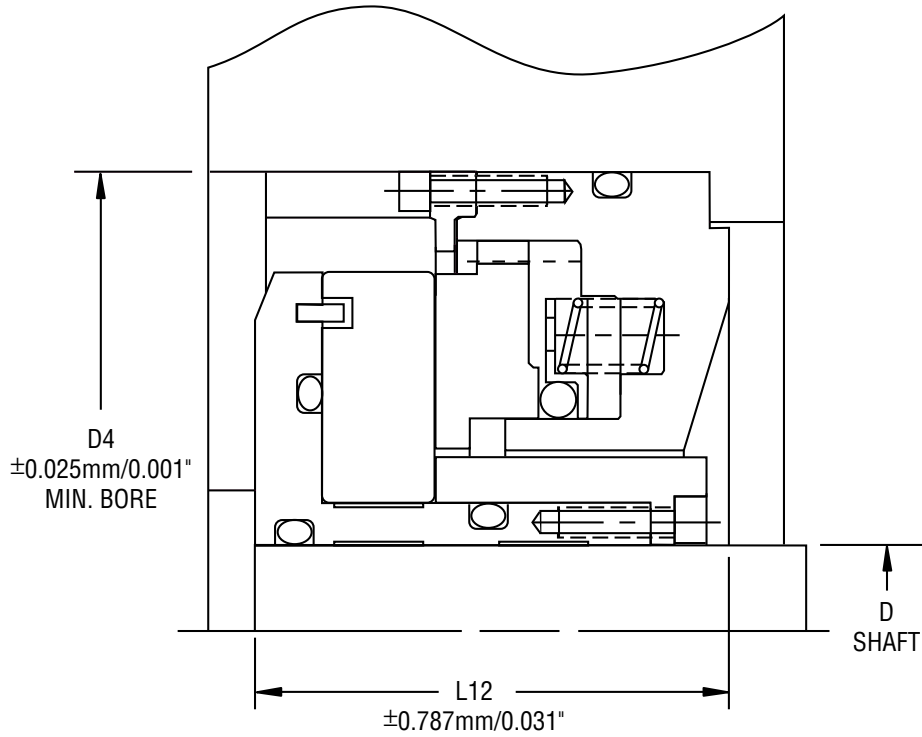
Design Features

- Extended wear life
- Outstanding reliability
- Reduced power consumption
- Zero process contamination
- Reduced emissions
- Options available

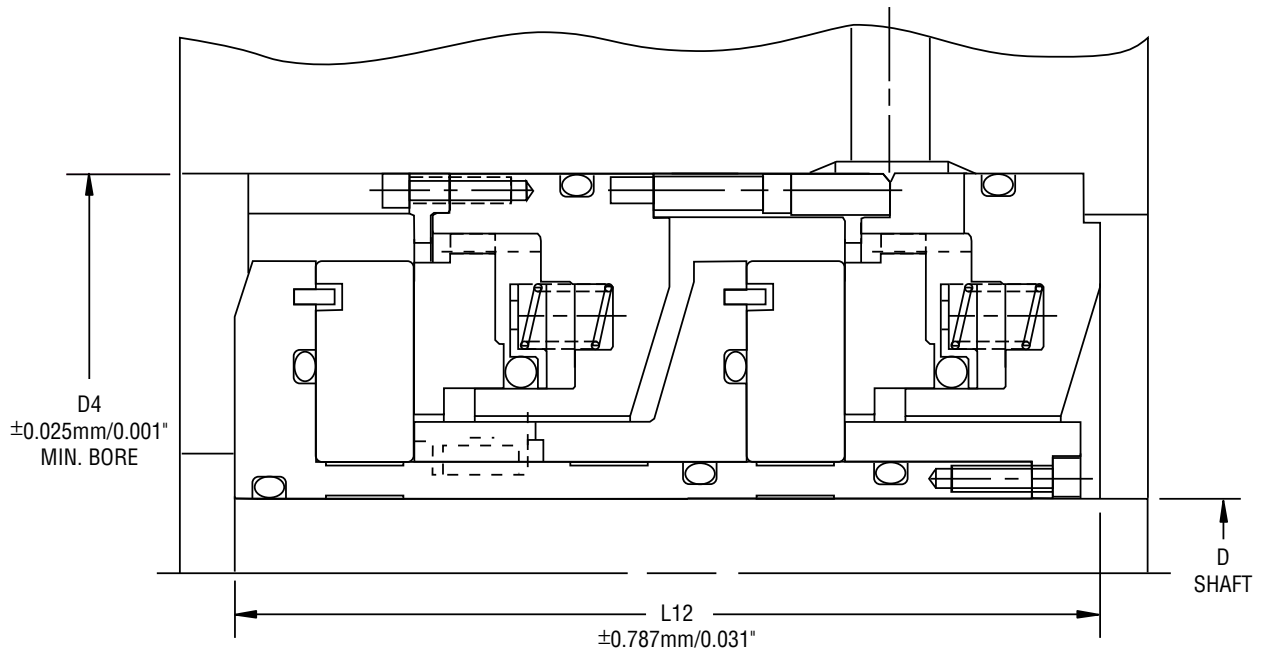
TYPE 28VL

NON-CONTACTING, VAPORIZING LIQUID SEAL

Type 28VL Single Typical Arrangement/Dimensional Data



Type 28VL Tandem Typical Arrangement/Dimensional Data



TYPE 28VL

NON-CONTACTING, VAPORIZING LIQUID SEAL

Technical Specification

Type 28VL Dimensional Data (mm)

Seal Size (mm)	D Shaft Range	D4	L12	
			Single Min.	Tandem Min.
56	25.4 - 29.0	104.8	46.4	99.2
62	29.0 - 34.9	111.9	46.8	99.2
68	35.0 - 41.3	119.5	47.2	99.6
75	41.3 - 46.8	126.2	47.2	99.6
81	46.8 - 53.2	133.7	47.6	100.0
87	53.2 - 59.5	140.9	48.4	100.4
94	59.5 - 65.1	148.0	48.8	100.8
100	65.1 - 71.4	155.2	48.8	100.8
106	71.5 - 77.0	162.3	49.2	101.2
113	77.0 - 82.9	169.4	50.0	101.6
119	83.0 - 88.9	177.0	50.0	101.6
125	88.9 - 94.8	183.7	50.8	102.8
132	94.9 - 101.2	191.3	51.6	104.4
138	101.2 - 107.1	198.4	52.0	104.8
144	107.2 - 113.1	205.6	52.8	106.3
151	113.1 - 119.0	212.7	53.6	108.0
156	119.1 - 123.4	217.9	54.8	109.5
162	123.4 - 129.8	225.4	55.1	110.7
168	129.8 - 135.7	232.6	55.5	111.5
175	135.7 - 141.7	239.7	56.3	112.3
181	141.7 - 147.6	246.8	57.2	114.3
187	147.7 - 153.6	254.0	57.9	115.9
194	153.6 - 159.9	261.1	58.7	117.5
200	159.9 - 165.9	268.7	59.5	119.0
206	165.9 - 171.8	277.8	59.9	119.5
213	171.9 - 177.4	285.3	60.7	121.0
219	177.4 - 183.3	292.1	61.5	122.2
225	183.4 - 189.7	299.6	62.3	123.8
232	189.7 - 195.7	306.8	63.1	125.4
238	195.7 - 201.6	313.9	63.5	126.2
244	201.6 - 207.5	321.1	64.3	127.8
251	207.6 - 213.5	328.2	65.1	129.4
257	213.5 - 219.9	335.4	65.5	130.2

Smaller cross-section seals and seals for larger shaft diameters are available.
Contact John Crane.

Type 28VL Dimensional Data (inches)

Seal Size (inches)	D Shaft Range	D4	L12	
			Single Min.	Tandem Min.
2.187	1.000 - 1.140	4.125	1.828	3.906
2.437	1.141 - 1.375	4.406	1.843	3.906
2.687	1.376 - 1.625	4.703	1.859	3.921
2.937	1.626 - 1.843	4.968	1.859	3.921
3.187	1.844 - 2.093	5.265	1.875	3.937
3.437	2.094 - 2.343	5.546	1.906	3.953
3.687	2.344 - 2.562	5.828	1.921	3.968
3.937	2.563 - 2.812	6.109	1.921	3.968
4.187	2.813 - 3.031	6.390	1.937	3.984
4.437	3.032 - 3.265	6.671	1.968	4.000
4.687	3.266 - 3.500	6.968	1.968	4.000
4.937	3.501 - 3.734	7.234	2.000	4.046
5.187	3.735 - 3.984	7.531	2.031	4.109
5.437	3.985 - 4.218	7.812	2.046	4.125
5.687	4.219 - 4.453	8.093	2.078	4.187
5.937	4.454 - 4.687	8.375	2.109	4.250
6.125	4.688 - 4.859	8.578	2.156	4.312
6.375	4.860 - 5.109	8.875	2.171	4.359
6.625	5.110 - 5.343	9.156	2.187	4.390
6.875	5.344 - 5.578	9.437	2.218	4.421
7.125	5.579 - 5.812	9.718	2.250	4.500
7.375	5.813 - 6.046	10.000	2.281	4.562
7.625	6.047 - 6.296	10.281	2.312	4.625
7.875	6.297 - 6.531	10.578	2.343	4.687
8.125	6.532 - 6.765	10.937	2.359	4.703
8.375	6.766 - 6.984	11.234	2.390	4.765
8.625	6.985 - 7.218	11.500	2.421	4.812
8.875	7.219 - 7.468	11.796	2.453	4.875
9.125	7.469 - 7.703	12.078	2.484	4.937
9.375	7.704 - 7.937	12.359	2.500	4.968
9.625	7.938 - 8.171	12.640	2.531	5.031
9.875	8.172 - 8.406	12.921	2.562	5.093
10.125	8.407 - 8.656	13.203	2.578	5.125

Smaller cross-section seals and seals for larger shaft diameters are available.
Contact John Crane.

TYPE 28VL

NON-CONTACTING, VAPORIZING LIQUID SEAL

Technical Specification

Materials of Construction

SEAL COMPONENTS	MATERIALS	
	Description	Standard
Face/Primary Ring	Carbon	—
Seat/Mating Ring	Tungsten Carbide	Silicon Carbide Coatings on Ductile Substrates
Retainer* Disc* Drive Band*	410 Stainless Steel	Alloy C-276 (UNS N10276) Alloy B-2 Alloy 20CB3 SS Monel® Inconel® X-750 316 Stainless Steel
O-ring	Fluoroelastomer	Nitrile Silicone Fluorosilicone Aflas® Kalrez® Neoprene® Ethylene Propylene Spring-Energized Polymers
Springs*	Alloy C-276 (UNS N10276)	Alloy 20CB3 SS Alloy B-2 Monel Inconel X-750 316 Stainless Steel

*NACE #MR-01-75 compliant materials are available.

Monel and Inconel are registered trademarks of Inco Alloys International, Inc.
Aflas is a registered trademark of Asahi Glass Co. Ltd.
Kalrez and Neoprene are registered trademarks of DuPont.



North America
United States of America
Tel: 1-847-967-2400
Fax: 1-847-967-3915

Europe
United Kingdom
Tel: 44-1753-224000
Fax: 44-1753-224224

Latin America
Brazil
Tel: 55-11-3371-2500
Fax: 55-11-3371-2599

Middle East & Africa
United Arab Emirates
Tel: 971-481-27800
Fax: 971-488-62830

Asia Pacific
Singapore
Tel: 65-6518-1800
Fax: 65-6518-1803

If the products featured will be used in a potentially dangerous and/or hazardous process, your John Crane representative should be consulted prior to their selection and use. In the interest of continuous development, John Crane Companies reserve the right to alter designs and specifications without prior notice. It is dangerous to smoke while handling products made from PTFE. Old and new PTFE products must not be incinerated. ISO 9001 and ISO14001 Certified, details available on request.