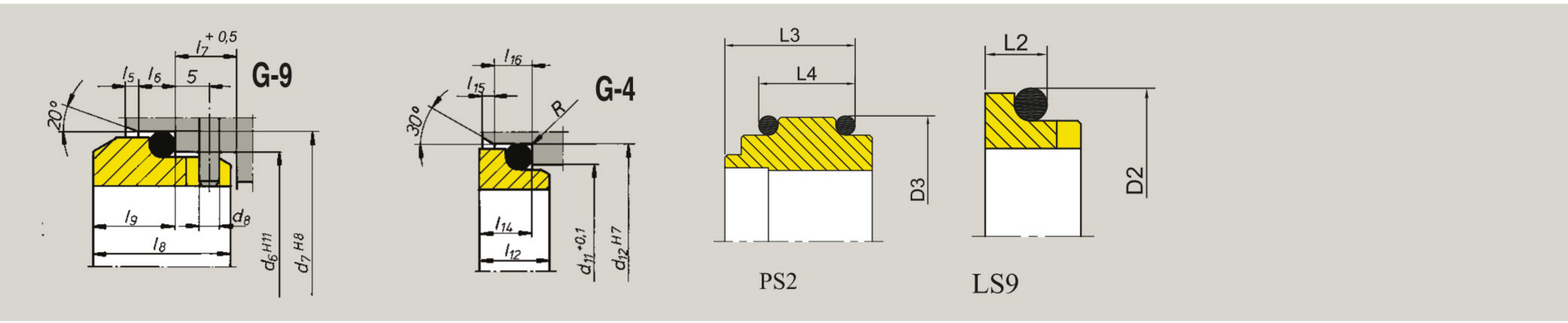


**Product Description      Technical Features      Operating Range      Material**

- ▶ 1,1-Seal face
- ▶ 1,2-Ring (For rotary seal)
- ▶ 1,3-Housing
- ▶ 1,4-Spring
- ▶ 1,5-Drive collar
- ▶ 1,6-Set Screws
- ▶ Single Seal
- ▶ Unbalanced
- ▶ Independent of rotation direction
- ▶ d1 = 20 - 100mm
- ▶ p = 12 bar
- ▶ t = -35 / 220 °C
- ▶ Vg = 20 m/sn
- ▶ Rotary seal faces: Carbon, Silicon carbide, Tungsten Carbide
- ▶ Stationary seal faces: Silicon carbide, Ceramic, Tungsten Carbide, Chromuim Nickle 316 ti
- ▶ Elastomers : Viton (FKM), EPDM, Nitril (NBR) Silicon

**Stationary Seat Alternatives**

- ▶ G-9 G-4



MS - 250				LS7		LS9		PS2			MS - 250				LS7		LS9		PS2													
d	d (in)	D	L	D1	L1	D2	L2	D3	L3	L4	d	d (in)	D	L	D1	L1	D2	L2	D3	L3	L4	d	d (in)	D	L	D1	L1	D2	L2	D3	L3	L4
20	0.750	34	41	35	13	33.32	6.2	42	23	18	58	2.250	76	63	78	16	73.03	9.2	89	28	22	60	2.375	78	63	80	16	76.20	9.2	91	28	22
22	-	36	41	37	13	34.93	6.2	44	23	18	63	2.500	81	63	84	16	79.38	9.2	94	28	22	65	-	84	67	85	16	80.98	9.2	96	28	22
24	0.875	38	43	39	13	-	-	46	23	18	-	2.625	86	67	-	-	-	-	-	-	-	-	-	86	67	-	-	-	-	-	-	-
25	1.000	39	43	40	13	39.67	7.2	47	23	18	68	-	87	67	90	16	82.55	9.2	99	30	24	70	2.750	90	68	92	16	85.73	9.2	101	30	24
28	1.125	42	45	43	13	42.88	9.2	50	23	18	75	3.000	95	72	97	16	90.47	9.2	110	30	24	-	2.875	93	72	-	-	-	-	-	-	-
30	-	44	45	45	13	44.45	9.2	52	23	18	77	-	103	77	-	-	-	-	-	-	-	75	3.000	95	72	97	16	90.47	9.2	110	30	24
32	1.250	46	45	48	13	46.02	9.2	54	23	18	80	3.125	100	72	105	16	98.43	9.2	115	31	25	85	3.375	107	77	110	16	104.77	9.2	120	31	25
33	-	47	45	48	13	46.02	9.2	55	23	18	85	-	103	77	-	-	-	-	-	-	-	80	-	100	72	105	16	98.43	9.2	115	31	25
35	1.375	49	49	50	13	49.20	9.2	57	23	18	85	3.375	107	77	110	16	104.77	9.2	120	31	25	-	3.250	103	77	-	-	-	-	-	-	-
38	1.500	54	53	56	13	52.37	9.2	64	25	20	85	-	103	77	-	-	-	-	-	-	-	85	3.375	107	77	110	16	104.77	9.2	120	31	25
40	-	56	55	58	13	53.98	9.2	66	25	20	85	-	103	77	-	-	-	-	-	-	-	85	-	100	72	105	16	98.43	9.2	115	31	25
42	-	58	55	61	13	55.58	9.2	69	25	20	85	-	103	77	-	-	-	-	-	-	-	85	3.375	107	77	110	16	104.77	9.2	120	31	25
43	1.625	59	55	61	13	55.58	9.2	69	25	20	85	-	103	77	-	-	-	-	-	-	-	85	3.375	107	77	110	16	104.77	9.2	120	31	25
45	1.750	61	55	63	13	58.72	9.2	71	25	20	85	-	103	77	-	-	-	-	-	-	-	85	-	100	72	105	16	98.43	9.2	115	31	25
48	1.875	64	55	66	13	63.50	9.2	74	25	20	85	-	103	77	-	-	-	-	-	-	-	85	-	100	72	105	16	98.43	9.2	115	31	25
50	2.000	66	60	70	13	65.07	9.2	76	25	20	85	-	103	77	-	-	-	-	-	-	-	85	-	100	72	105	16	98.43	9.2	115	31	25
53	2.125	69	61	73	13	66.68	9.2	79	25	20	85	-	103	77	-	-	-	-	-	-	-	85	-	100	72	105	16	98.43	9.2	115	31	25
55	-	71	61	75	13	69.85	9.2	81	25	20	85	-	103	77	-	-	-	-	-	-	-	85	-	100	72	105	16	98.43	9.2	115	31	25